

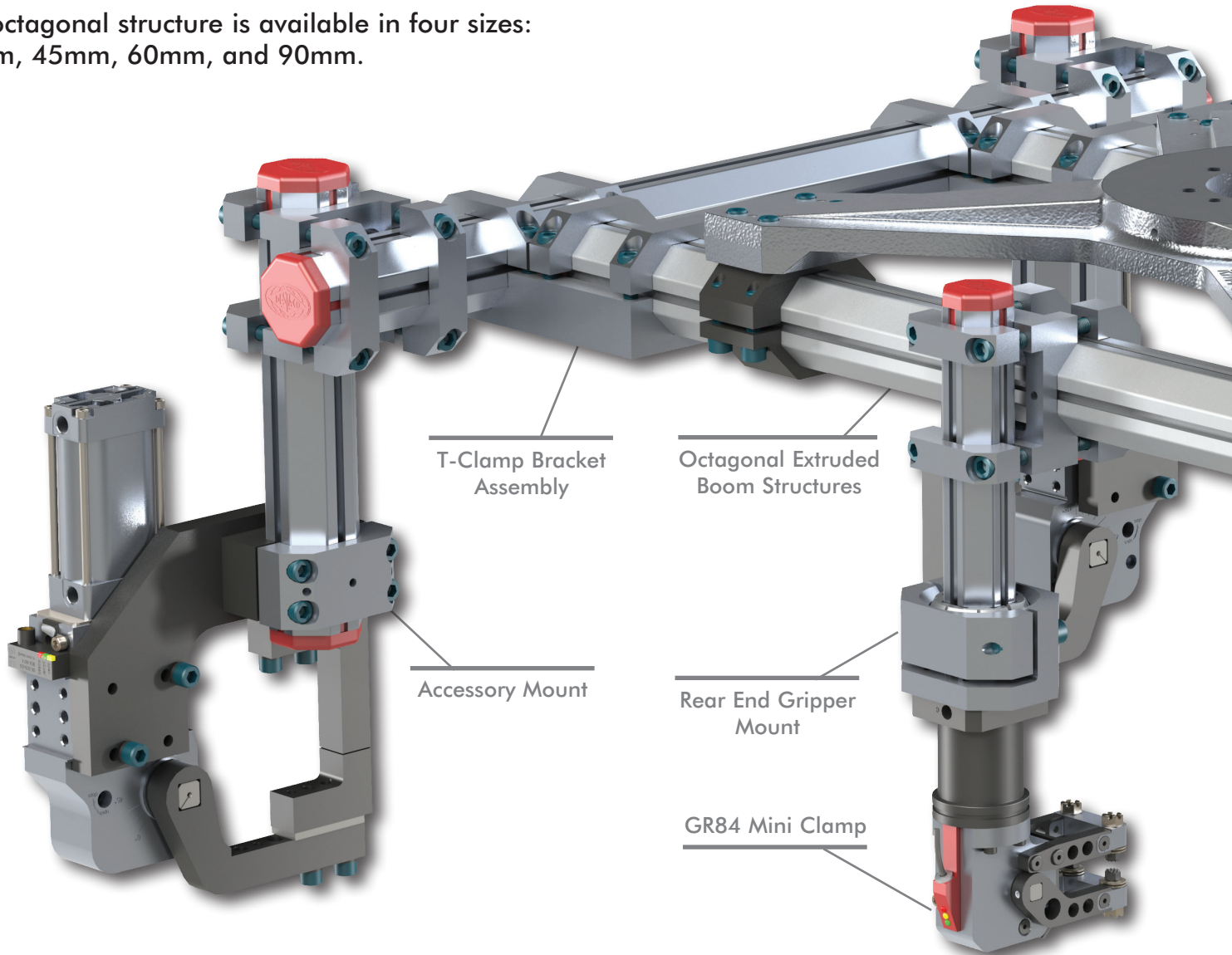
BODYBUILDER™ END EFFECTOR SYSTEM



Product Overview

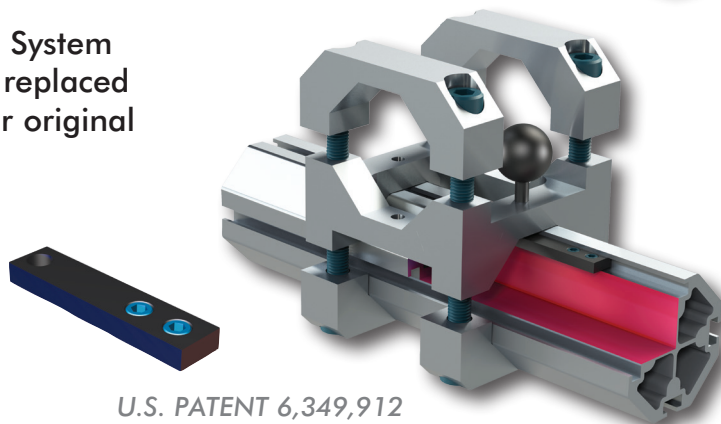
BodyBuilder™ is designed to maximize productivity, both before and after installation. The flexibility of the system allows modifications to the end effector in minutes, greatly reducing start up time to launch.

The octagonal structure is available in four sizes: 30mm, 45mm, 60mm, and 90mm.



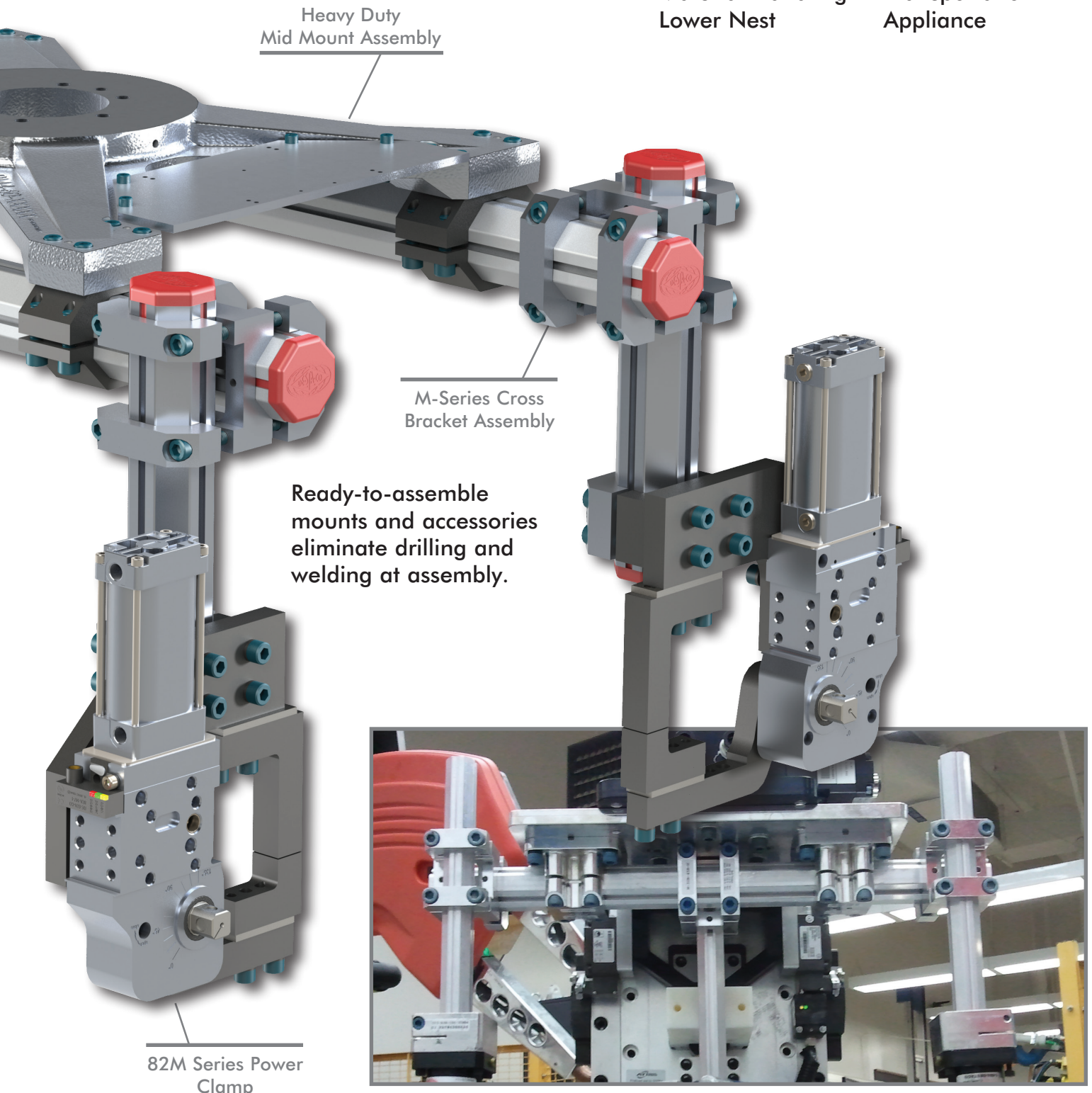
The patented BodyBuilder™ Alignment System allows the modular components to be replaced individually and easily returned to their original positions.

Alignment nut(s) are included with every Bodybuilder™ modular component, utilizing the patented alignment system.



Most commonly used in:

| Applications | Markets |
|-------------------|----------------|
| Robot Welding | Industrial |
| Pick and Place | Automotive |
| Material Handling | Transportation |
| Lower Nest | Appliance |



Heavy Duty
Mid Mount Assembly

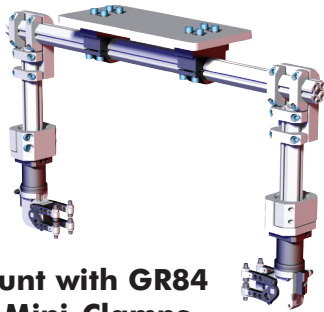
M-Series Cross
Bracket Assembly

Ready-to-assemble
mounts and accessories
eliminate drilling and
welding at assembly.

82M Series Power
Clamp

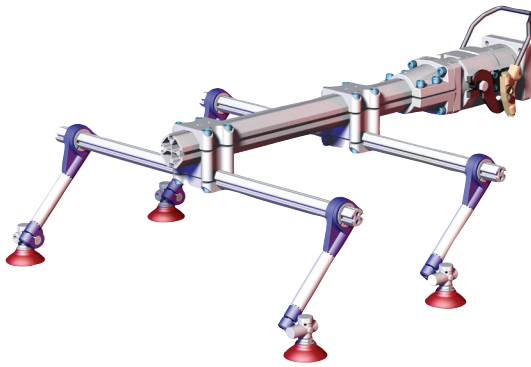
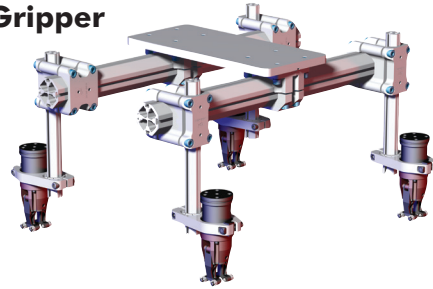
BODYBUILDER™ TOOLING EXAMPLES

BodyBuilder™ Octagonal Tooling | Typical Application Build Examples

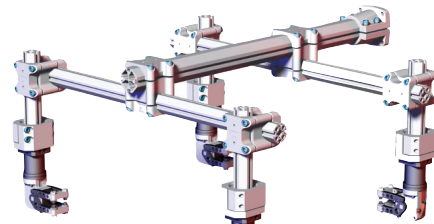


Mid Mount with GR84 Series Mini-Clamps

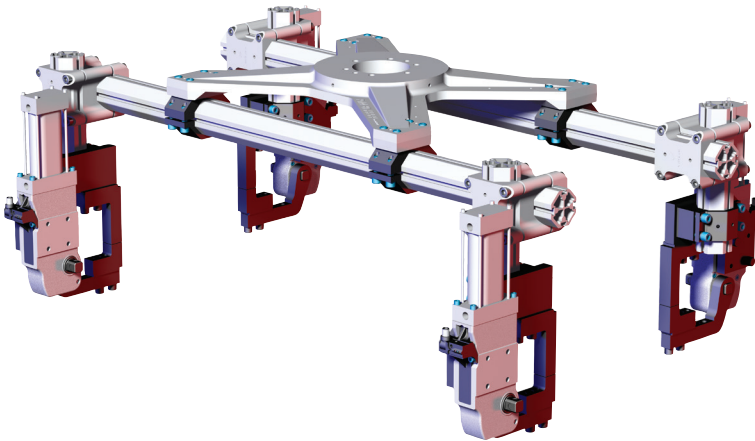
Mid Mount with GR1 Series Gripper



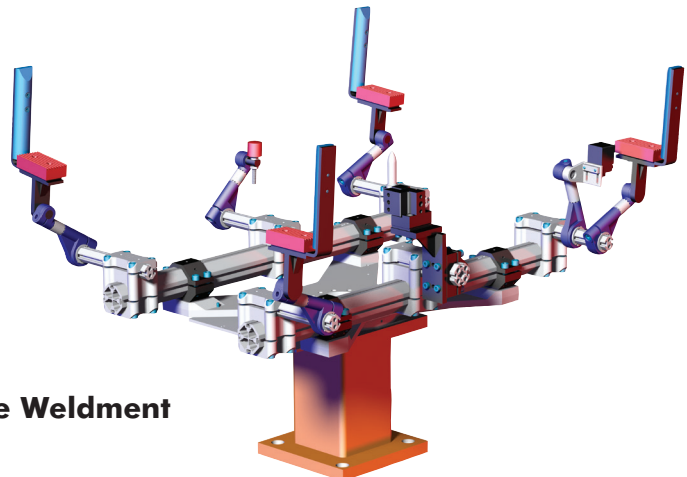
End Mount with Venturi Cup Mounts and Vacuum Cups



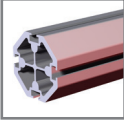
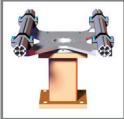

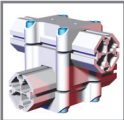
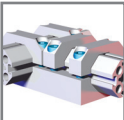
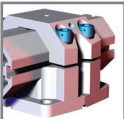
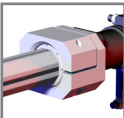
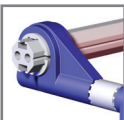

End Mount with GR84 Series Mini Clamp



Mid Mount with 82M50 Enclosed Power Clamps



Mid Mounted Part Nest with CPI-HTW Hold Table Weldment and Nest Pad guides

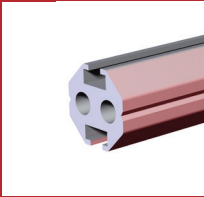
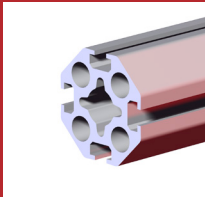
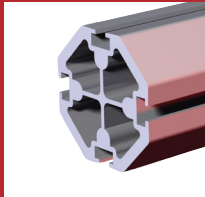
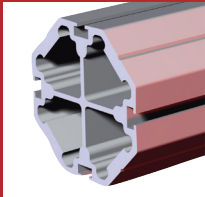
| | |
|---|---|
|  | BodyBuilder™ Extruded Aluminum Octagonal Booms5 |
|  | BodyBuilder™ Structure Mid Mount Assemblies..... 11 |
|  | BodyBuilder™ Structure End Mount Assemblies28 |
|  | BodyBuilder™ Transition Brackets and Blocks32 |
|  | BodyBuilder™ Low-Profile Transition Brackets48 |
|  | BodyBuilder™ Accessory Brackets and Mounts68 |
|  | BodyBuilder™ Gripper Mounts.....72 |
|  | BodyBuilder™ Swivel Arm Mounts.....75 |
|  | BodyBuilder™ Swivel Arm Accessories.....79 |

BODYBUILDER™ BOOM STRUCTURE

BodyBuilder™ Octagonal Tooling | Dimensions

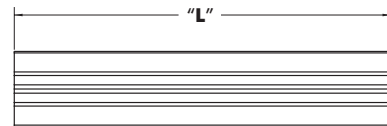
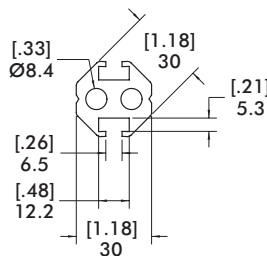
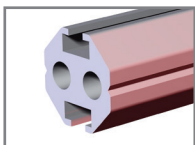


30, 45, 60, and 90mm Boom Lengths and Ordering Numbers

| BODYBUILDER™ OCTAGONAL ALUMINUM BOOM LENGTHS & ORDER NUMBERS |     | | | |
|--|--|-------------------|-------------------|-------------------|
| | (L) Length | B - 30 - (L) - 0 | B - 45 - (L) - 0 | B - 60 - (L) - 0 |
| 150 mm | B - 30 - 150 - 0 | B - 45 - 150 - 0 | B - 60 - 150 - 0 | N/A |
| 200 mm | B - 30 - 200 - 0 | B - 45 - 200 - 0 | B - 60 - 200 - 0 | N/A |
| 250 mm | B - 30 - 250 - 0 | B - 45 - 250 - 0 | B - 60 - 250 - 0 | N/A |
| 300 mm | B - 30 - 300 - 0 | B - 45 - 300 - 0 | B - 60 - 300 - 0 | B - 90 - 300 - 0 |
| 400 mm | B - 30 - 400 - 0 | B - 45 - 400 - 0 | B - 60 - 400 - 0 | B - 90 - 400 - 0 |
| 500 mm | B - 30 - 500 - 0 | B - 45 - 500 - 0 | B - 60 - 500 - 0 | B - 90 - 500 - 0 |
| 600 mm | B - 30 - 600 - 0 | B - 45 - 600 - 0 | B - 60 - 600 - 0 | B - 90 - 600 - 0 |
| 700 mm | B - 30 - 700 - 0 | B - 45 - 700 - 0 | B - 60 - 700 - 0 | B - 90 - 700 - 0 |
| 750 mm | B - 30 - 750 - 0 | B - 45 - 750 - 0 | B - 60 - 750 - 0 | B - 90 - 750 - 0 |
| 800 mm | B - 30 - 800 - 0 | B - 45 - 800 - 0 | B - 60 - 800 - 0 | B - 90 - 800 - 0 |
| 900 mm | B - 30 - 900 - 0 | B - 45 - 900 - 0 | B - 60 - 900 - 0 | B - 90 - 900 - 0 |
| 1200 mm | B - 30 - 1200 - 0 | B - 45 - 1200 - 0 | B - 60 - 1200 - 0 | B - 90 - 1200 - 0 |
| 1500 mm | B - 30 - 1500 - 0 | B - 45 - 1500 - 0 | B - 60 - 1500 - 0 | B - 90 - 1500 - 0 |
| 1800 mm | B - 30 - 1800 - 0 | B - 45 - 1800 - 0 | B - 60 - 1800 - 0 | B - 90 - 1800 - 0 |
| 2100 mm | B - 30 - 2100 - 0 | B - 45 - 2100 - 0 | B - 60 - 2100 - 0 | B - 90 - 2100 - 0 |
| 2400 mm | B - 30 - 2400 - 0 | B - 45 - 2400 - 0 | B - 60 - 2400 - 0 | B - 90 - 2400 - 0 |
| 2700 mm | B - 30 - 2700 - 0 | B - 45 - 2700 - 0 | B - 60 - 2700 - 0 | B - 90 - 2700 - 0 |
| 3000 mm | B - 30 - 3000 - 0 | B - 45 - 3000 - 0 | B - 60 - 3000 - 0 | B - 90 - 3000 - 0 |

30mm Boom Profile Dimensions and Specifications

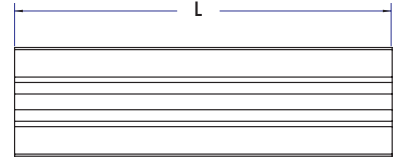
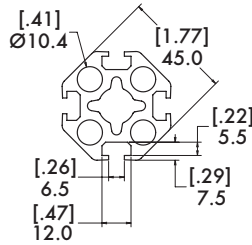
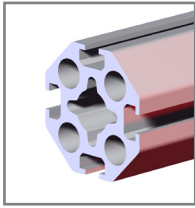
BodyBuilder™ 30mm Boom



| Model Number | Weight |
|------------------|----------------------|
| B - 30 - (L) - 0 | 1.4 kg/m [0.9 lb/ft] |

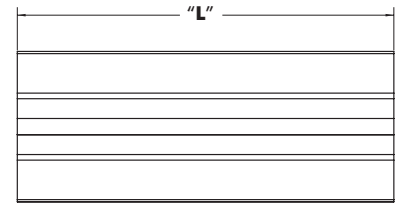
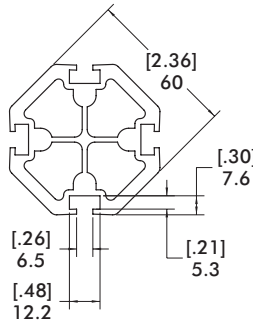
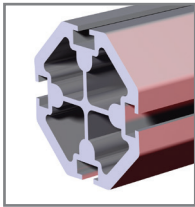
45, 60, and 90mm Boom Profile Dimensions and Specifications

BodyBuilder™ 45mm Boom



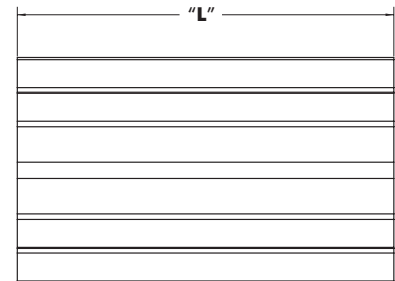
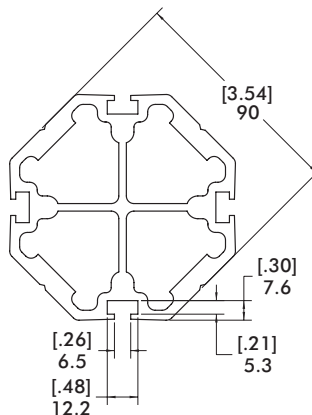
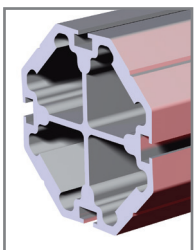
| Model Number | Weight |
|-------------------------|----------------------|
| B - 45 - (L) - 0 | 2.0 kg/m [1.4 lb/ft] |

BodyBuilder™ 60mm Boom



| Model Number | Weight |
|-------------------------|----------------------|
| B - 60 - (L) - 0 | 3.3 kg/m [2.2 lb/ft] |

BodyBuilder™ 90mm Boom



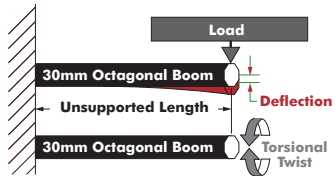
| Model Number | Weight |
|-------------------------|----------------------|
| B - 90 - (L) - 0 | 6.5 kg/m [4.4 lb/ft] |

BODYBUILDER™ BOOM STRUCTURE

BodyBuilder™ Octagonal Tooling | Technical Specifications

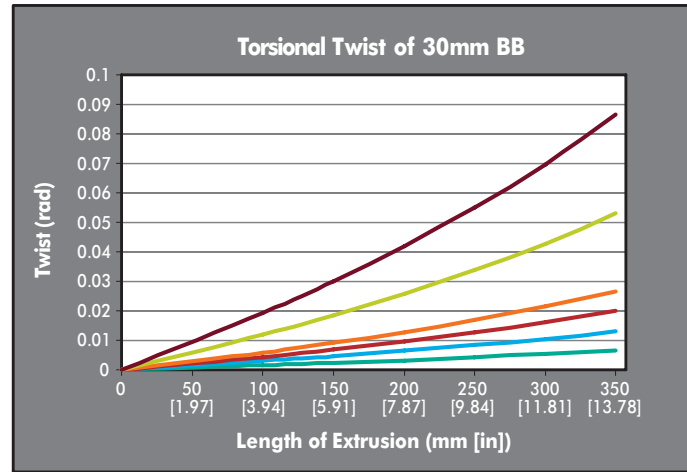
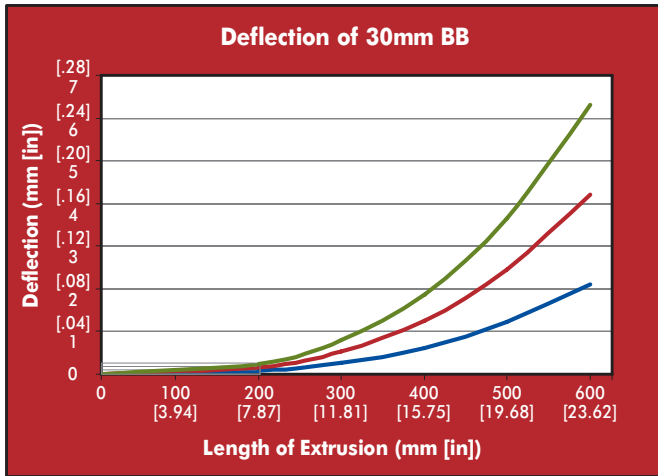
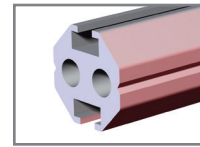


30mm Boom Deflection and Torsion Charts

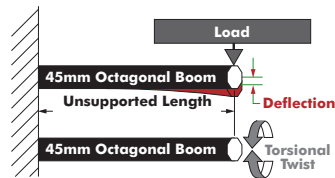


| | |
|--------|----------|
| 5 Kgf | 11.0 lbf |
| 10 Kgf | 22.0 lbf |
| 15 Kgf | 33.0 lbf |

| | |
|-------------|---------------|
| 100 Kgf-cm | 86.8 lbf-in |
| 200 Kgf-cm | 173.6 lbf-in |
| 300 Kgf-cm | 260.4 lbf-in |
| 400 Kgf-cm | 347.2 lbf-in |
| 800 Kgf-cm | 694.4 lbf-in |
| 1300 Kgf-cm | 1128.4 lbf-in |

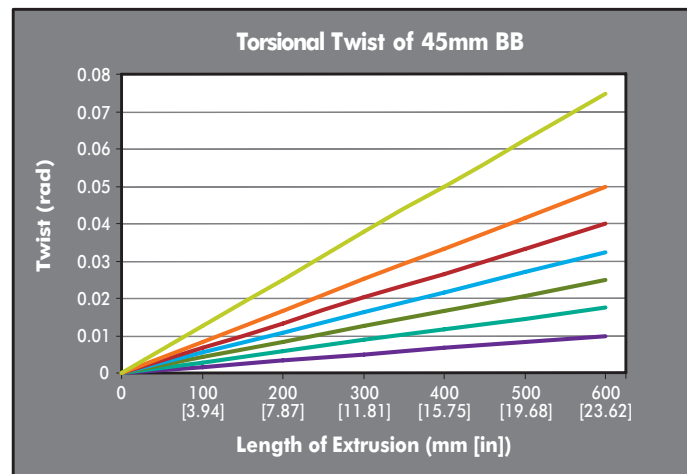
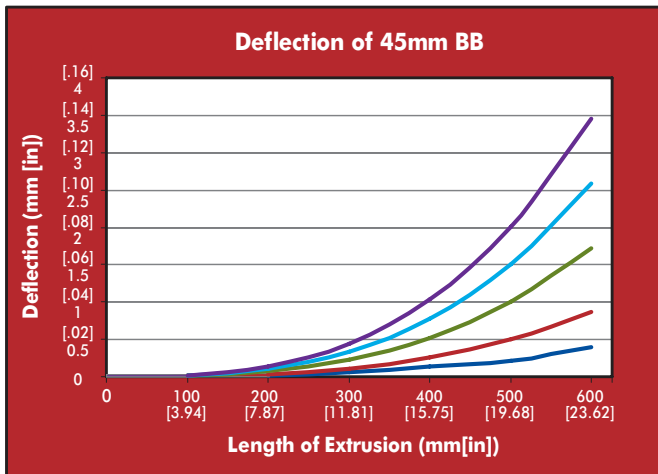
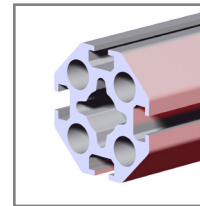


45mm Boom Deflection and Torsion Charts

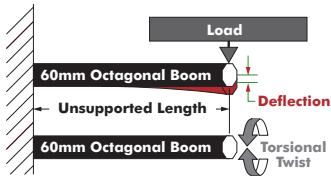


| | |
|--------|----------|
| 5 Kgf | 11.0 lbf |
| 10 Kgf | 22.0 lbf |
| 20 Kgf | 44.1 lbf |
| 30 Kgf | 66.1 lbf |
| 40 Kgf | 88.2 lbf |

| | |
|-------------|---------------|
| 400 Kgf-cm | 347.2 lbf-in |
| 700 Kgf-cm | 607.6 lbf-in |
| 1000 Kgf-cm | 867.0 lbf-in |
| 1300 Kgf-cm | 1128.4 lbf-in |
| 1600 Kgf-cm | 1388.7 lbf-in |
| 2000 Kgf-cm | 1735.9 lbf-in |
| 3000 Kgf-cm | 2603.9 lbf-in |

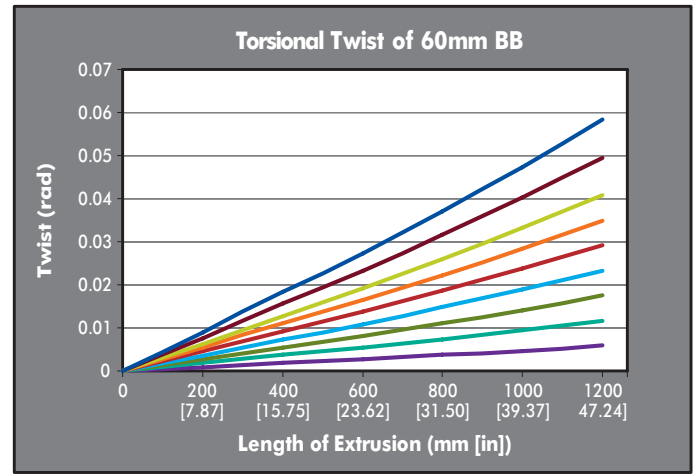
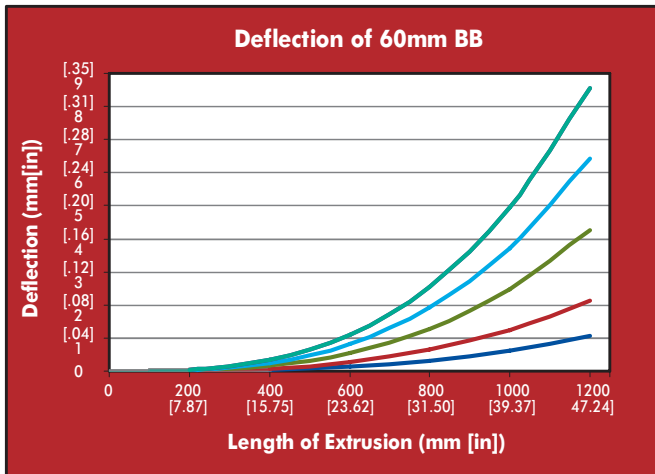
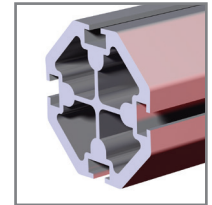


60mm Boom Deflection and Torsion Charts

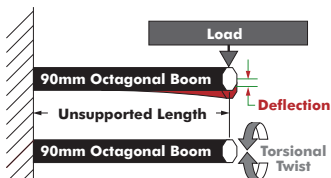


| | |
|--------|-----------|
| 5 Kgf | 11.0 lbf |
| 10 Kgf | 22.0 lbf |
| 20 Kgf | 44.1 lbf |
| 30 Kgf | 66.1 lbf |
| 40 Kgf | 88.2 lbf |
| 50 Kgf | 110.2 lbf |

| | |
|-------------|---------------|
| 400 Kgf-cm | 347.2 lbf-in |
| 800 Kgf-cm | 694.4 lbf-in |
| 1200 Kgf-cm | 1041.6 lbf-in |
| 1600 Kgf-cm | 1388.7 lbf-in |
| 2000 Kgf-cm | 1735.9 lbf-in |
| 2400 Kgf-cm | 2083.1 lbf-in |
| 2800 Kgf-cm | 2430.3 lbf-in |
| 3400 Kgf-cm | 2951.1 lbf-in |
| 4000 Kgf-cm | 3471.8 lbf-in |

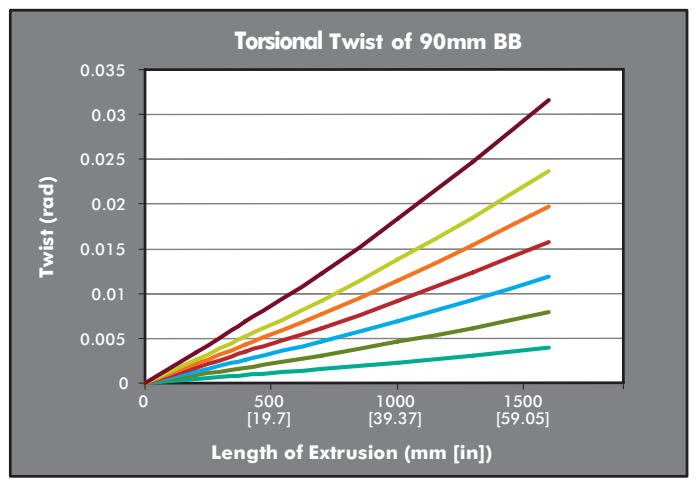
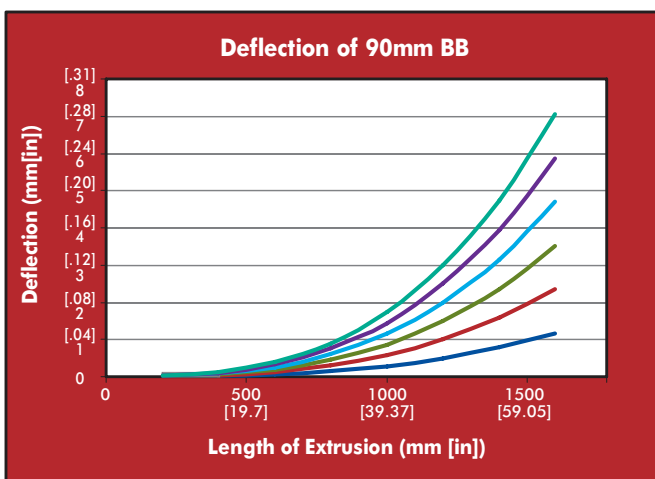
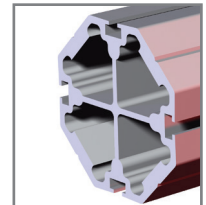


90mm Boom Deflection and Torsion Charts



| | |
|--------|-----------|
| 10 Kgf | 22.0 lbf |
| 20 Kgf | 44.1 lbf |
| 30 Kgf | 66.1 lbf |
| 40 Kgf | 88.2 lbf |
| 50 Kgf | 110.2 lbf |
| 60 Kgf | 132.3 lbf |

| | |
|-------------|---------------|
| 1000 Kgf-cm | 867.0 lbf-in |
| 2000 Kgf-cm | 1735.9 lbf-in |
| 3000 Kgf-cm | 2603.9 lbf-in |
| 4000 Kgf-cm | 3471.8 lbf-in |
| 5000 Kgf-cm | 4339.8 lbf-in |
| 6000 Kgf-cm | 5207.8 lbf-in |
| 8000 Kgf-cm | 6943.7 lbf-in |

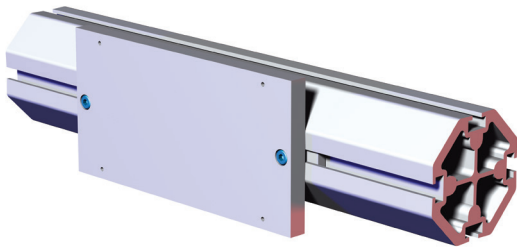


BODYBUILDER™ BOOM STRUCTURE ACCESSORIES

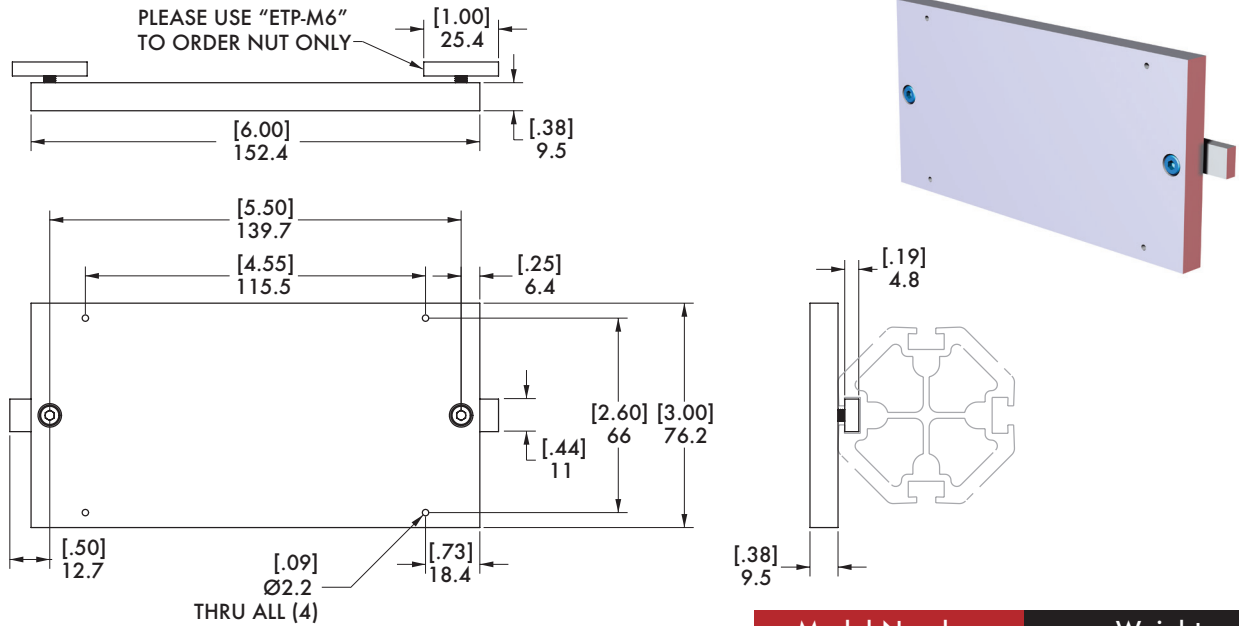


BodyBuilder™ Octagonal Tooling | Technical Specifications, Dimensions

ETP-35 Extrusion Accessory Mount

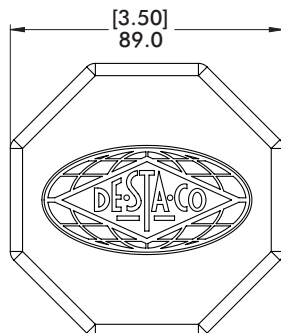
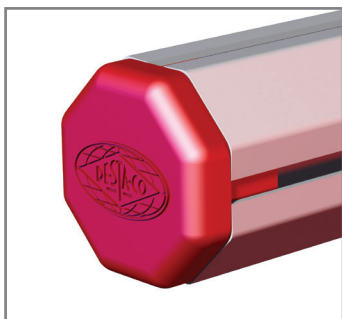


Specifications:
Material: Aluminum

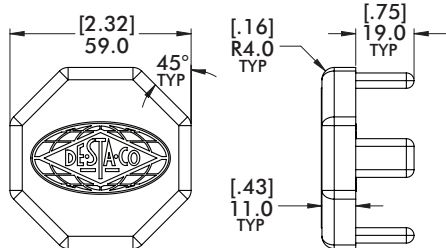


| Model Number | Weight |
|--------------|-----------------|
| CPI-ETP-35 | .31 kg [.68 lb] |

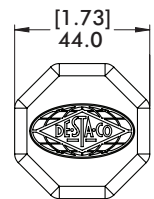
EC-60 60mm Bodybuilder Octagonal Boom End Cap



End Cap



60mm End Cap



45mm End Cap



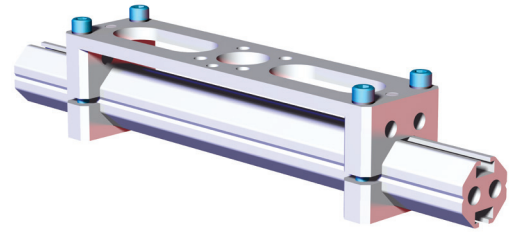
| Model Number | Weight |
|--------------|-----------------|
| CPI-EC-45B | .02 kg [.05 lb] |
| CPI-EC-60B | .04 kg [.09 lb] |
| CPI-EC-90B | .09 kg [.20 lb] |



EE-BBR-9

Dimensions and technical information are subject to change without notice

RMM-30B-40BC-08-90 Single Extrusion 30mm Mid Mount with 40mm Bolt Circle

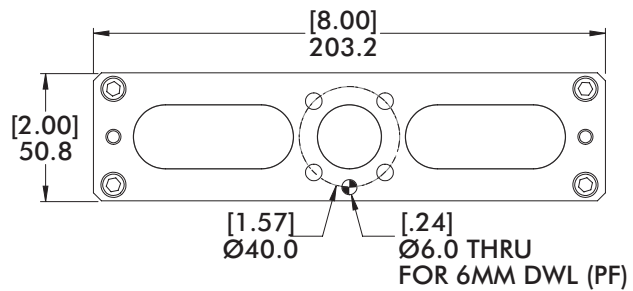
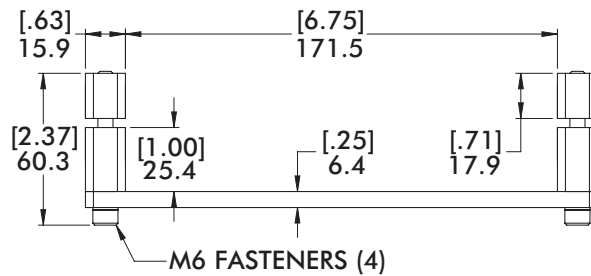
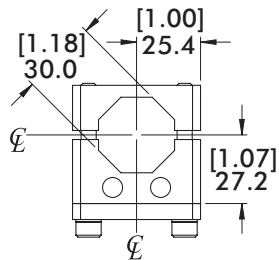
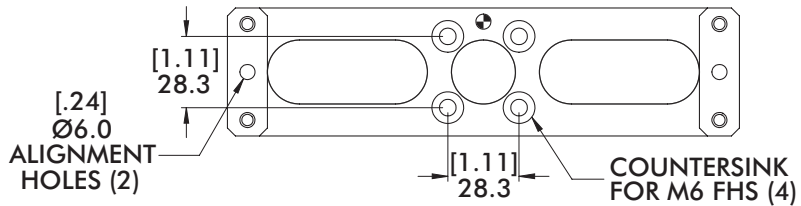
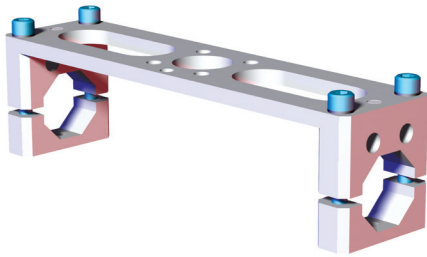


Specifications:

Max. Static Product Load:

102 Nm [75 ft-lb]

Material: Aluminum



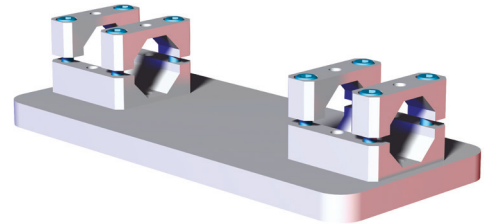
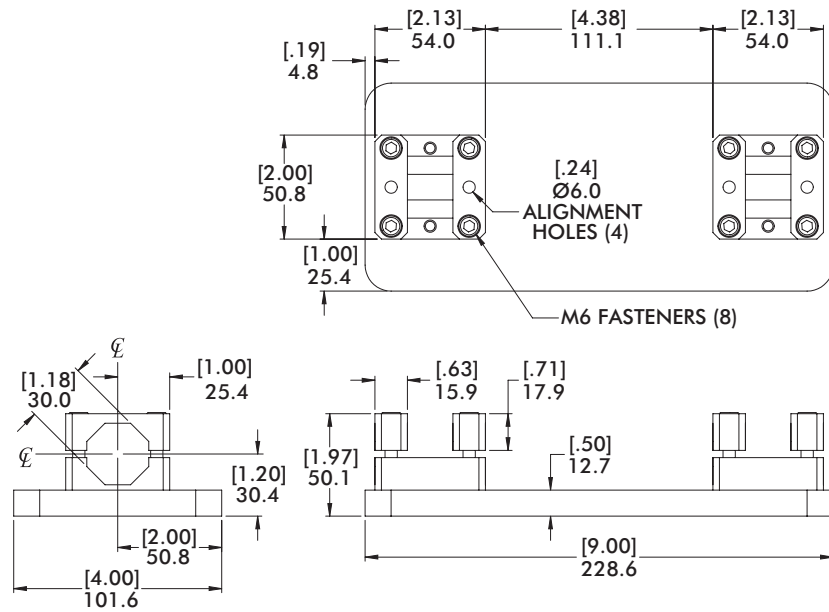
| Model Number | Weight |
|------------------------|-----------------|
| CPI-RMM-30B-40BC-08-90 | .28 kg [.62 lb] |

BODYBUILDER™ MID-MOUNT ASSEMBLIES

BodyBuilder™ Octagonal Tooling | Technical Specifications, Dimensions



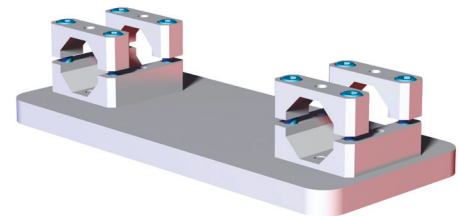
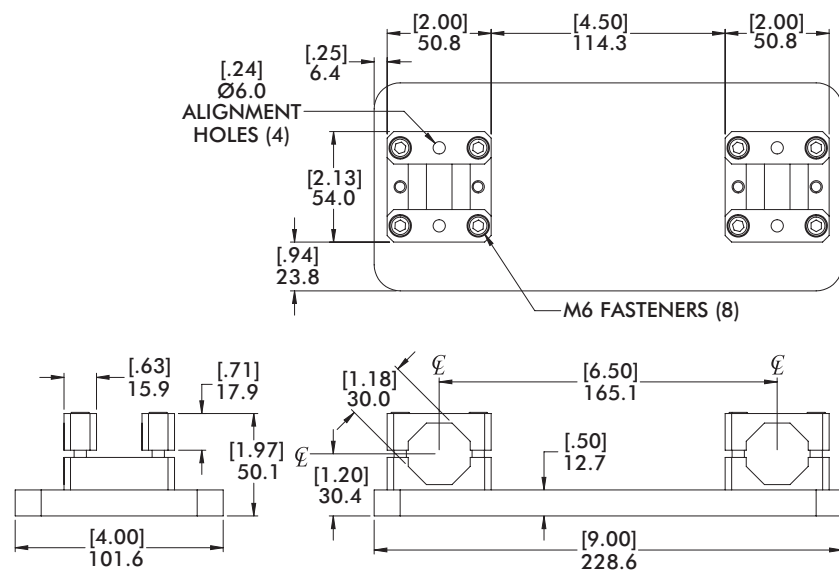
RMM-30B-SE Single Extrusion 60mm Robot Adaptor Mid Mount



Specifications:
 Max. Static Product Load:
 102 Nm [75 ft-lb] **Material:**
 Aluminum

| Model Number | Weight |
|-----------------------|-------------------|
| CPI-RMM-30B-SE | 1.05 kg [2.31 lb] |

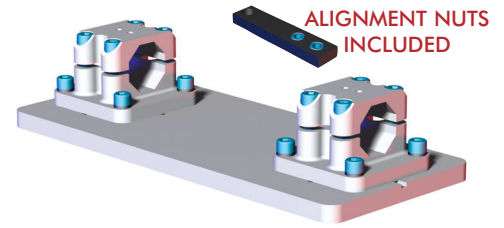
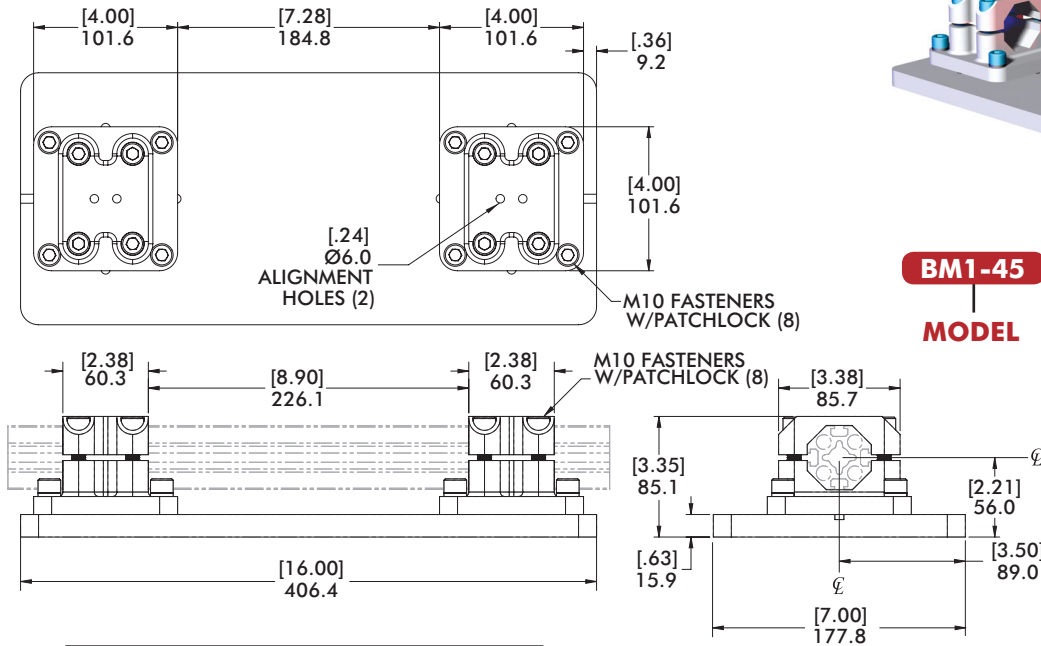
RMM-30B-DE Double Extrusion 30mm Robot Adaptor Mid Mount



Specifications:
 Max. Static Product Load:
 102 Nm [75 ft-lb] **Material:**
 Aluminum

| Model Number | Weight |
|-----------------------|-------------------|
| CPI-RMM-30B-DE | 1.05 kg [2.31 lb] |

BM1-45-SE Single Extrusion 45mm Mid Mount



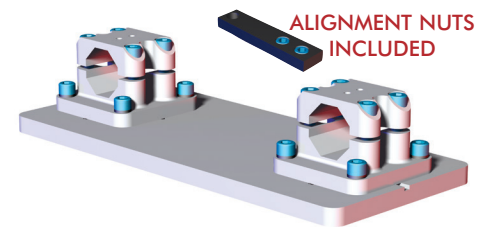
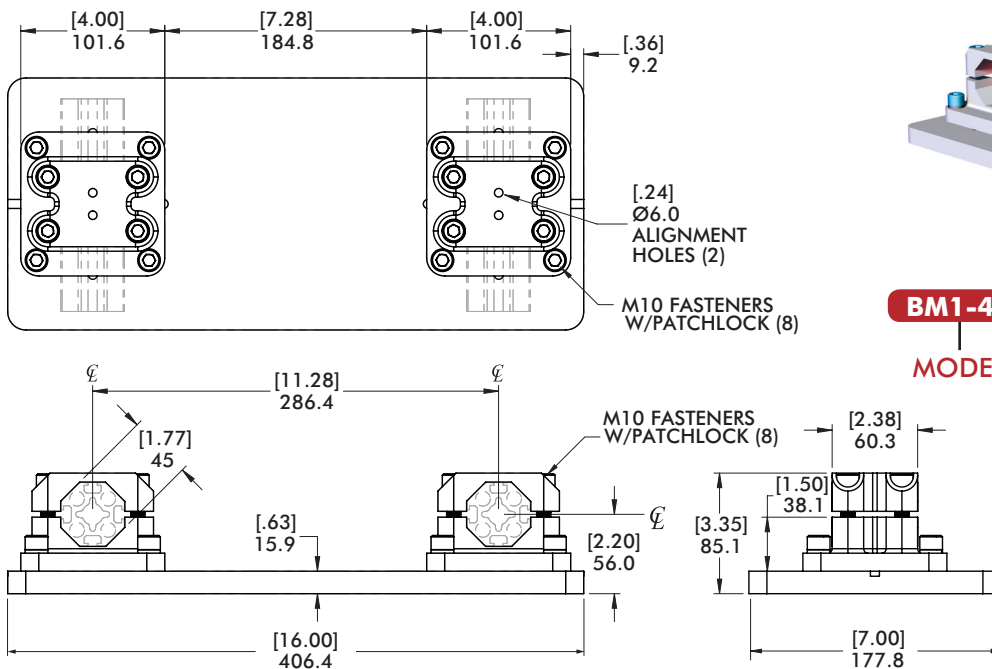
BM1-45 — **SE** — **RXX**
MODEL — **BOOM SETUP (SINGLE)** — **ROBOT INTERFACE PATTERN (PAGE 19-21)**

Specifications:
 Max. Static Product Load:
 350 Nm [258 ft-lb]
 Material: Aluminum

Weight
 5.05 kg [11.1 lb]

Can be supplied with robot interface hole patterns. (See pages 19-21).

BM1-45-DE Double Extrusion 45mm Mid Mount



BM1-45 — **DE** — **RXX**
MODEL — **BOOM SETUP (DOUBLE)** — **ROBOT INTERFACE PATTERN (PAGE 19-21)**

Specifications:
 Max. Static Product Load:
 350 Nm [258 ft-lb]
 Material: Aluminum

Weight
 5.05 kg [11.1 lb]

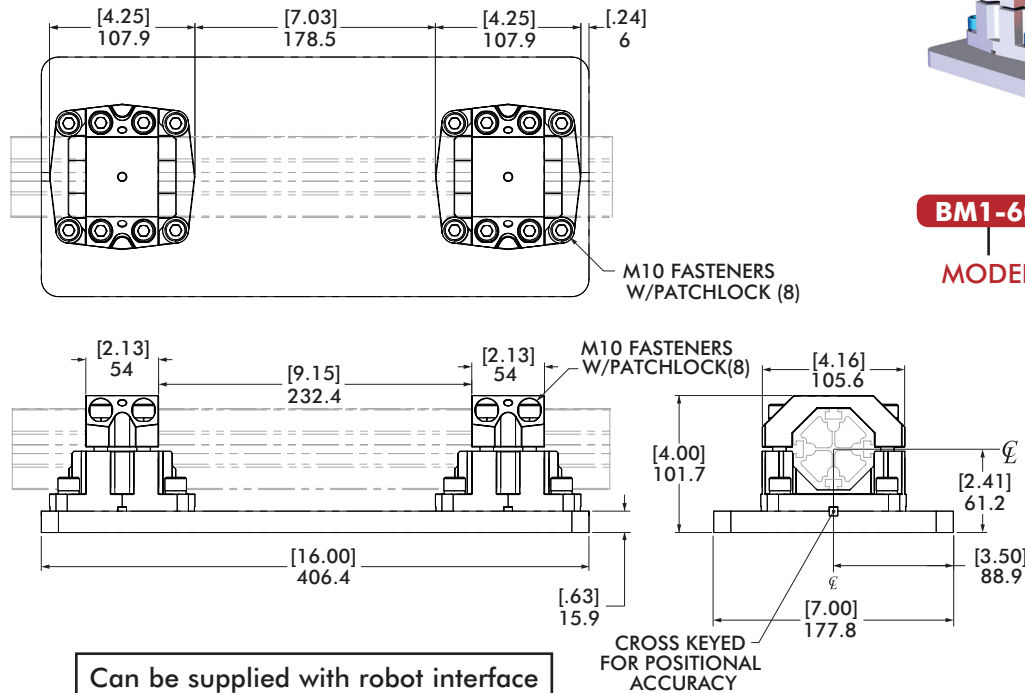
Can be supplied with robot interface hole patterns. (See pages 19-21).

BODYBUILDER™ MID MOUNT ASSEMBLIES

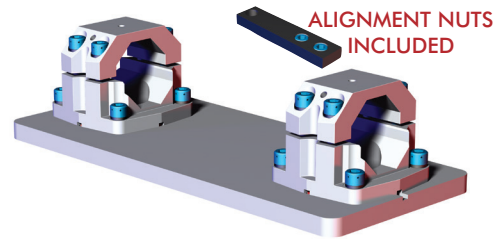
BodyBuilder™ Octagonal Tooling | Technical Specifications, Dimensions



BM1-60-SE 60mm Single Extrusion Mid Mount Assembly



Can be supplied with robot interface hole patterns. (See pages 19-21).



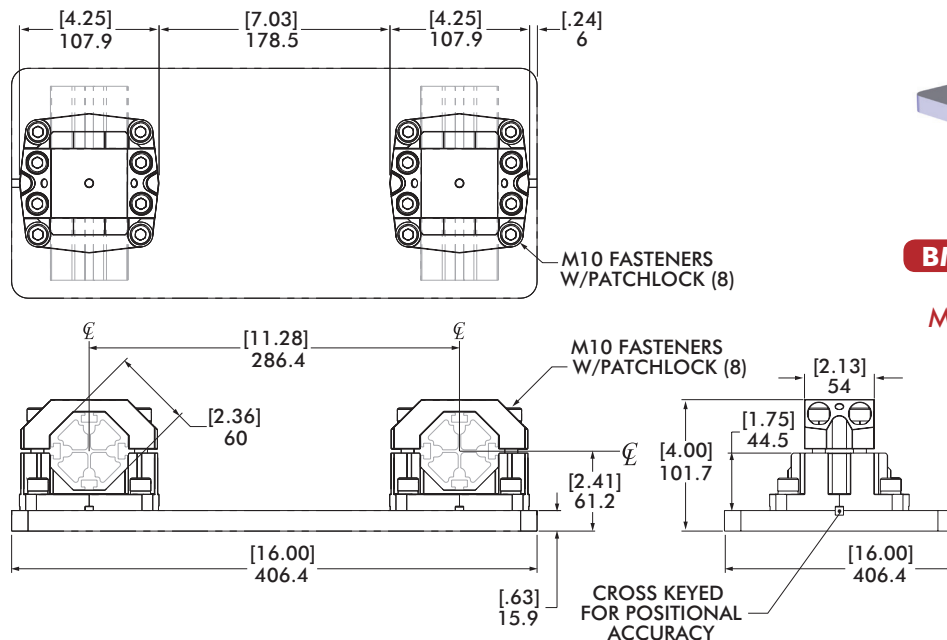
ALIGNMENT NUTS INCLUDED

BM1-60 — **SE** — **RXX**
MODEL — **BOOM SETUP (SINGLE)** — **ROBOT INTERFACE PATTERN (PAGE 19-21)**

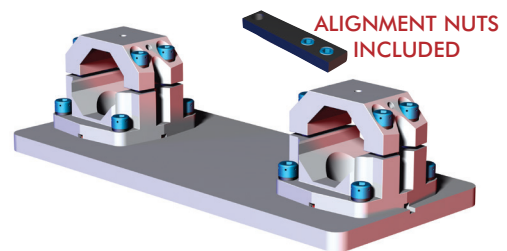
Specifications:
 Max. Static Product Load:
 675 Nm [500 ft-lb]
 Material: Aluminum

Weight
 5.2 kg [11.5 lb]

BM1-60-DE 60mm Double Extrusion Mid Mount Assembly



Can be supplied with robot interface hole patterns. (See pages 19-21).



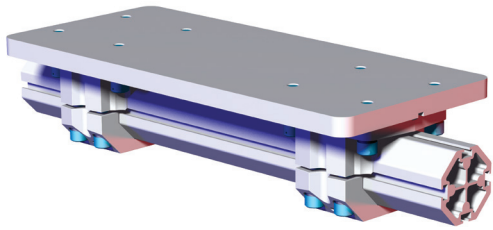
ALIGNMENT NUTS INCLUDED

BM1-60 — **DE** — **RXX**
MODEL — **BOOM SETUP (DOUBLE)** — **ROBOT INTERFACE PATTERN (PAGE 19-21)**

Specifications:
 Max. Static Product Load:
 675 Nm [500 ft-lb]
 Material: Aluminum

Weight
 5.2 kg [11.5 lb]

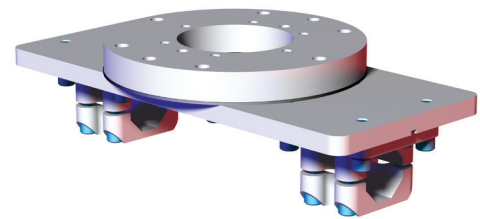
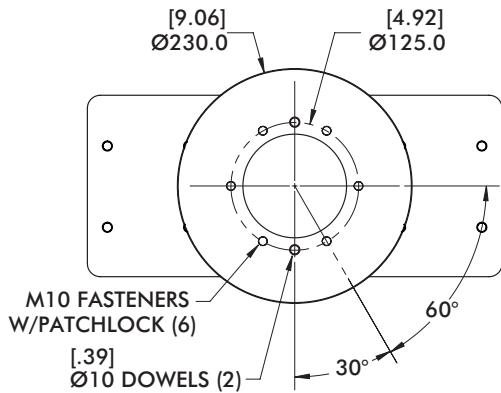
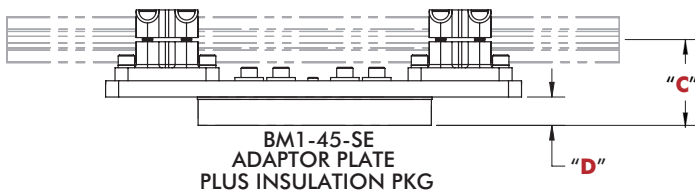
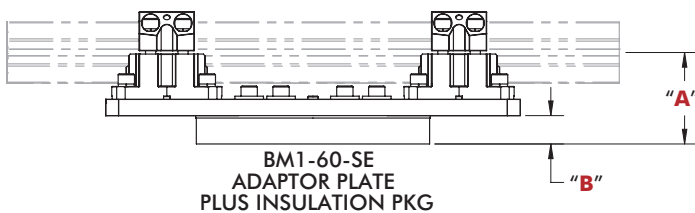
BM1-45/BM1-60 Mid Mount Assembly - Mount Plate



Specifications:
Material: Aluminum

- Features:**
- Can be machined or left blank.
 - Can be supplied with robot interface hole patterns. (See pages 19-21).

BM1-45/BM1-60 Mid Mount Assembly - Adapter Plate



All mounting patterns on pages 19-21 can be used for **BM1-60** and **BM1-45** Mid Mount Assemblies. All Ø200mm mounting patterns, when used on the **BM1-45** and **BM1-60**, includes an Adapter Plate as shown.

MID MOUNT ASSEMBLY ADAPTER PLATE

| PATTERN | "A" | "B" | "C" | "D" |
|---------------------------|----------------|----------------|----------------|----------------|
| R01, R10, R11, R16 | 89.6 [3.53] | 27.8 [1.09] | 83.8 [3.30] | 27.8 [1.09] |
| R07, R09 | 96.0 [3.78] | 34.1 [1.34] | 99.6 [3.92] | 34.1 [1.34] |

BODYBUILDER™ MID MOUNT ASSEMBLIES



BodyBuilder™ Octagonal Tooling | Technical Specifications, Dimensions

RM4-45 45mm, RM4-60 60mm Heavy Duty Mid Mount Assembly - Dimensions

Features:

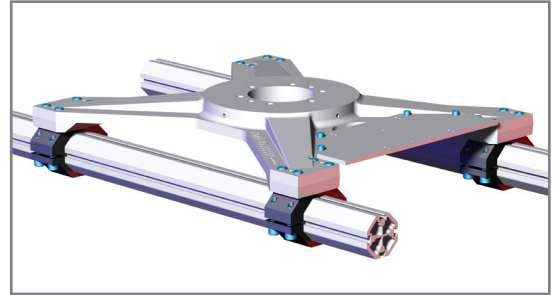
- Can be used as a direct robot interface.
- Provide robust clamping of each extrusion for maximum stability.
- Standard robot interface patterns provided. Plate can also be left blank.

Specifications:

Max. Static Product Load:
453.6 kg [1000 lb]

Material:

Mid Mount:
Cast Aluminum
Clamps: Steel



ROBOT INTERFACE PLATE SHOWN BLANK.

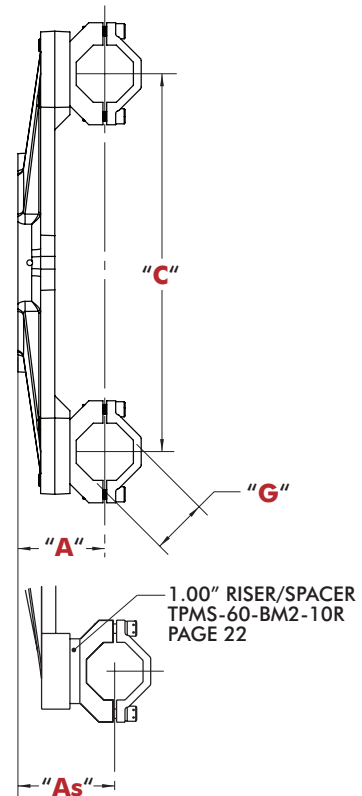
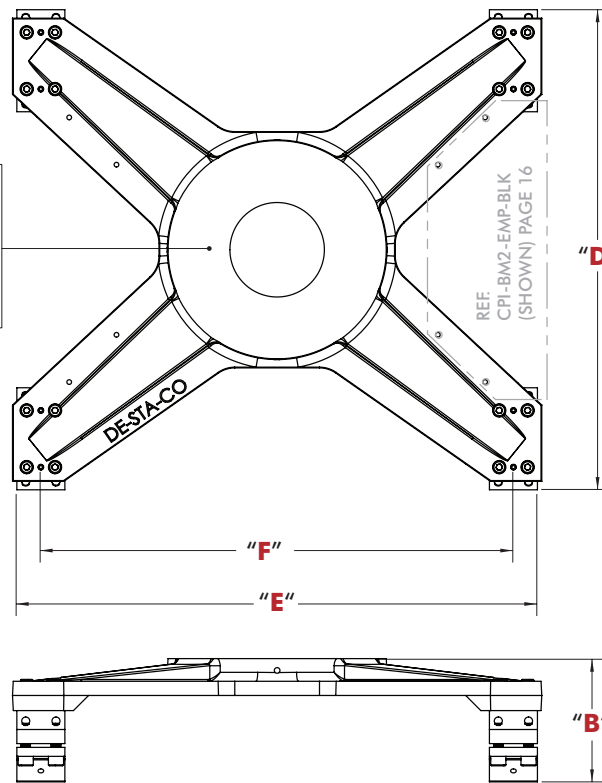
PLEASE REFER TO PAGES 20-22 FOR STANDARD ROBOT INTERFACE BOLT PATTERNS & DIMENSIONS

NOTE:

SCREWS AND FASTENERS FOR MOUNTING ARE NOT INCLUDED

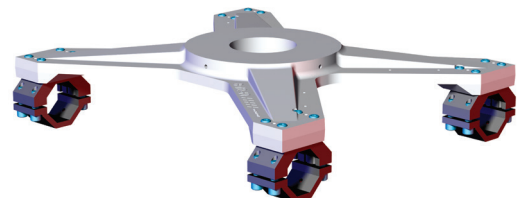
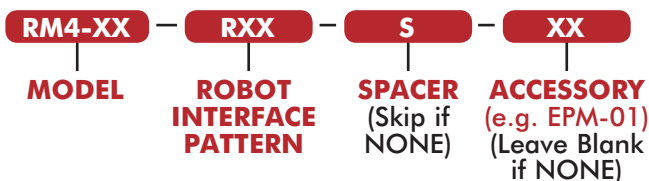
ADD 1.5MM TO "A"/"AS" DIM FOR INSULATION PACKAGE IF REQUIRED.

INSULATION PACKAGE INCLUDES:
(1) INSULATION PLATE, BUSHINGS AND WASHERS

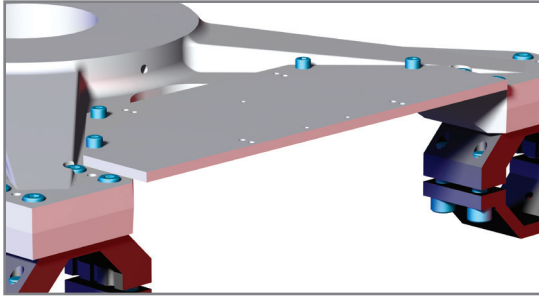


HEAVY-DUTY MID MOUNT ASSEMBLY DIMENSIONS

| Model | "A" | "As" | "B" | "C" | "D" | "E" | "F" | "G" | Weight |
|----------------------|----------------|-----------------|------------------|------------------|----------------|------------------|------------------|-----|----------------------|
| RM4-45 (45mm) | 85.6 [3.37] | 111 [4.37] | 117.6 [4.63] | 400 [15.75] | 490 [19.29] | 560 [22.05] | 500.0 [19.69] | 45 | 13.6 kg [30.0 lb] |
| RM4-60 (60mm) | 91.9 [3.62] | 117.3 [4.62] | 131.7 [5.185] | 400.0 [15.75] | 508 [20.00] | 560.8 [22.85] | 500.0 [19.69] | 60 | 15.5 kg [34.2 lb] |



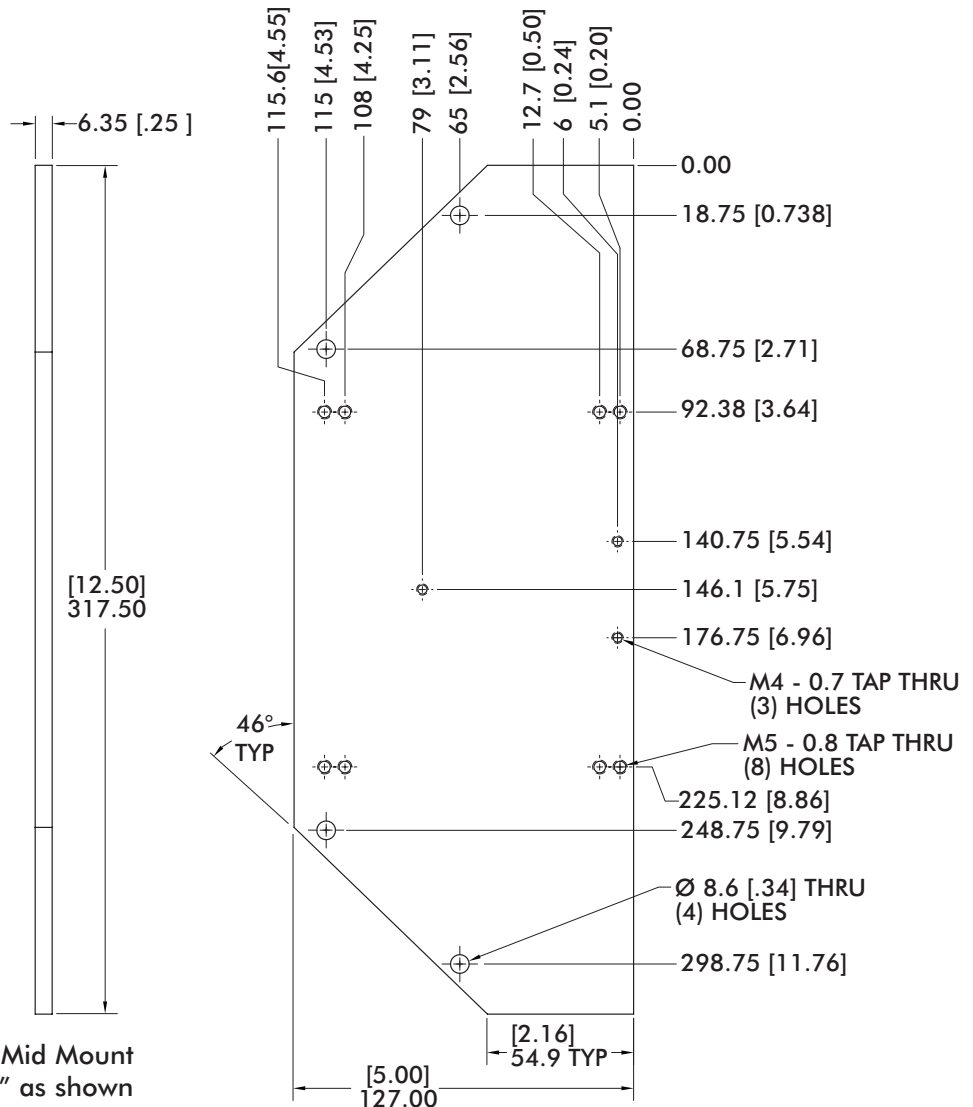
BM2-EPM Accessory Mount Plate



Specifications:
Material: Aluminum

Features:

- Mount directly to the RM4-45 or RM4-60 Heavy Duty Mid-Mount Assembly.
- Used to mount pneumatic manifolds and electric proximity blocks.



When ordering with Heavy Duty Mid Mount Please add designation "EPM-01" as shown RM4-XX-RXX-EPM-01 or add designation "EPM-BLK" to order blank RM4-XX-RXX-EPM-BLK

To order separately use Model Number

| (A) | Pattern | Model RM4-45/60 | Weight |
|---------|----------|-----------------|------------------|
| EPM-01 | Standard | CPI-BM2-EPM-01 | .63 kg [1.39 lb] |
| EPM-BLK | Blank | CPI-BM2-EPM-BLK | |

BODYBUILDER™ STRUCTURE MID MOUNT ASSEMBLIES

BodyBuilder™ Octagonal Tooling | Technical Specifications, Dimensions



BM3-90 90mm Heavy Duty Mid Mount Assembly - Dimensions

Features:

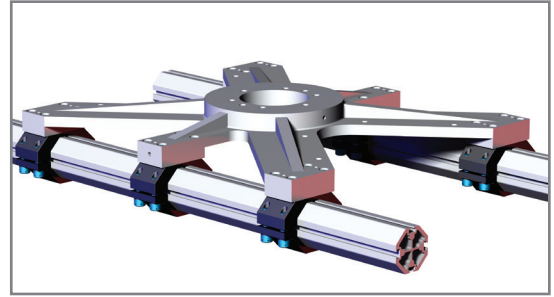
- Can be used as a direct robot interface.
- Provide robust clamping of each extrusion for maximum stability.
- Standard robot interface patterns provided. Plate can also be left blank.

Specifications:

Max. Static Product Load:
589.7 kg [1300 lb]

Material:

Mid Mount:
Cast Aluminum
Clamps: Steel



ROBOT INTERFACE PLATE SHOWN BLANK.

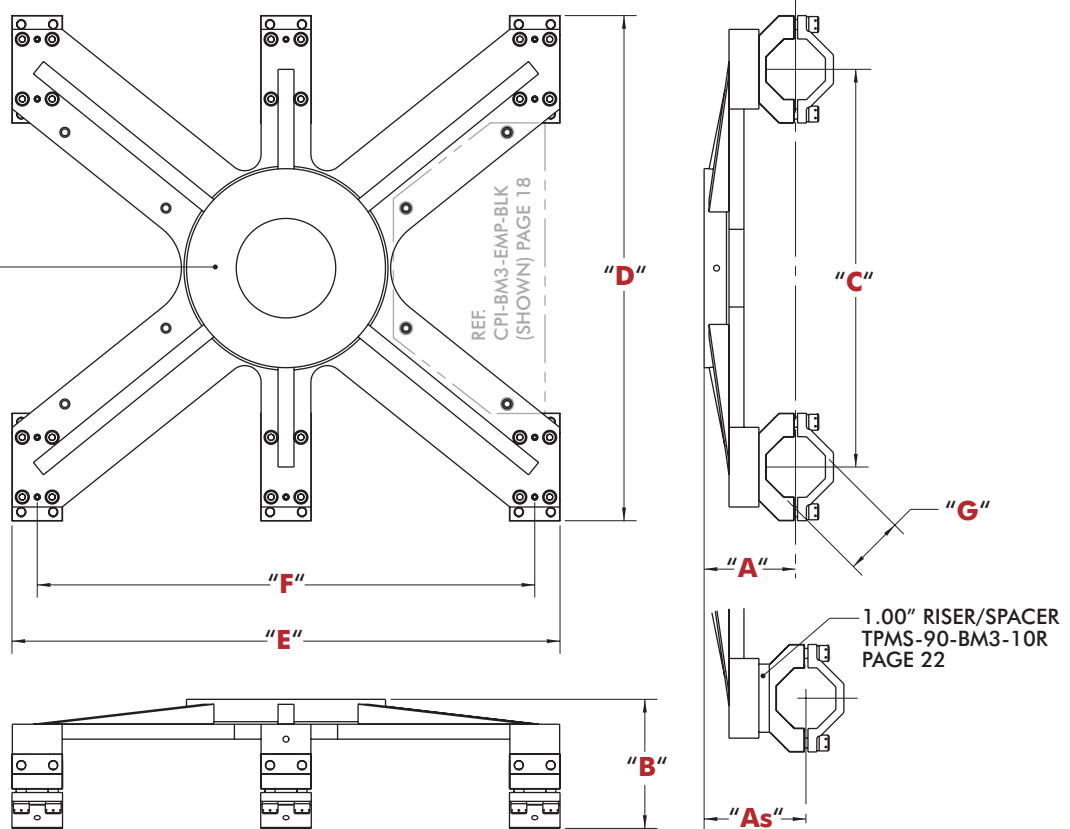
PLEASE REFER TO PAGES 19-21 FOR STANDARD ROBOT INTERFACE BOLT PATTERNS & DIMENSIONS

NOTES:

SCREWS AND FASTENERS FOR MOUNTING ARE NOT INCLUDED

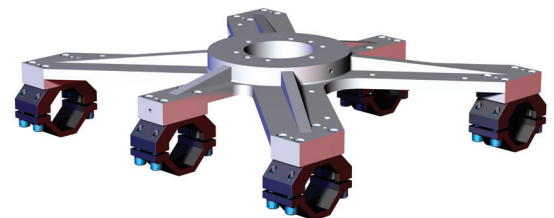
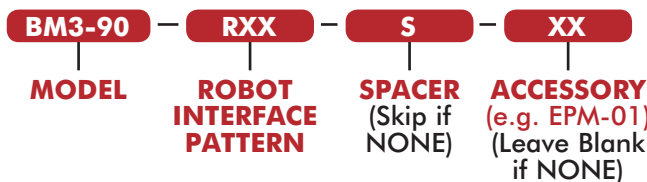
ADD 1.5MM TO "A"/"AS" DIM FOR INSULATION PACKAGE IF REQUIRED.

INSULATION PACKAGE INCLUDES:
(1) INSULATION PLATE, BUSHINGS AND WASHERS

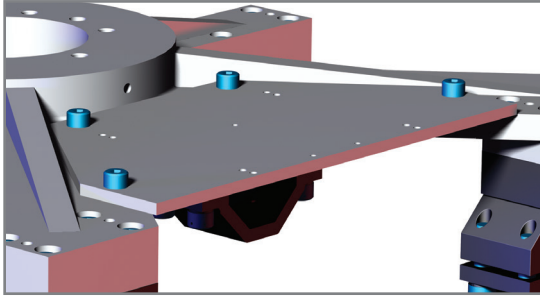


HEAVY-DUTY MID MOUNT ASSEMBLY DIMENSIONS

| Model | "A" | "As" | "B" | "C" | "D" | "E" | "F" | "G" | Weight |
|--------|-----------------|-----------------|-----------------|------------------|------------------|------------------|------------------|-----|----------------------|
| BM3-90 | 107.8 [4.24] | 133.2 [5.24] | 165.3 [6.51] | 600.0 [23.62] | 738.0 [29.06] | 750.0 [29.53] | 700.0 [29.53] | 90 | 24.1 kg [53.1 lb] |



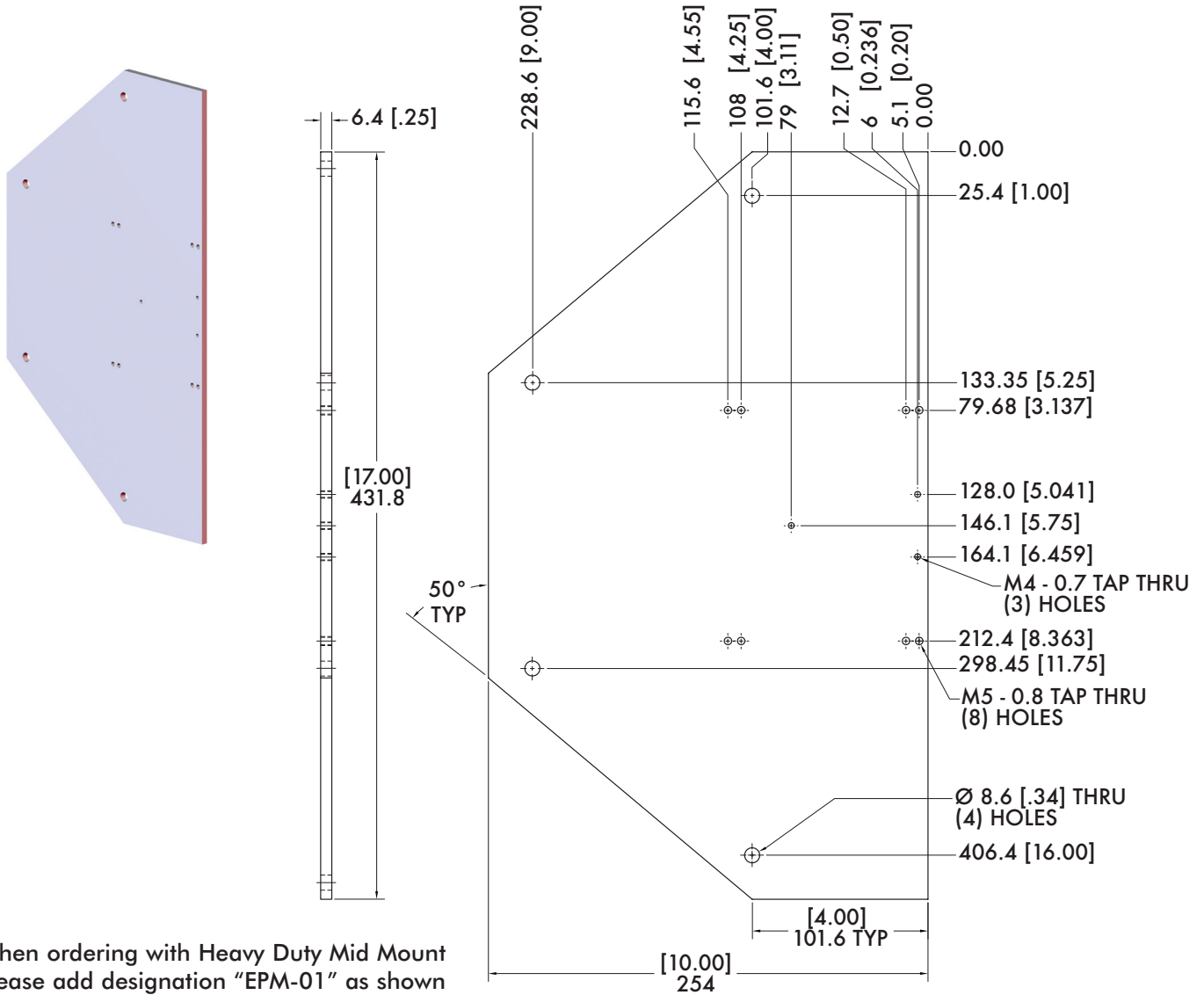
BM3-EPM Accessory Mount Plate



Specifications:
Material: Aluminum

Features:

- Mount directly to the BM3-90 Heavy Duty Mid-Mount Assembly.
- Used to mount pneumatic manifolds and electric proximity blocks.



When ordering with Heavy Duty Mid Mount Please add designation "EPM-01" as shown
BM3-90-RXX-EPM-01 or
 add designation "EPM-BLK" to order blank
BM3-90-RXX-EPM-BLK
 To order separately use Model Number

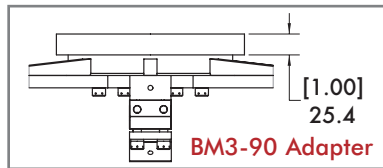
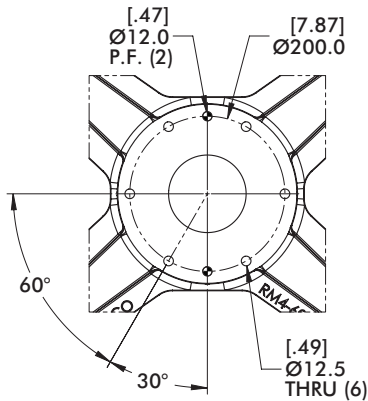
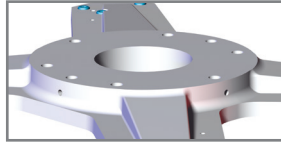
| Model Number | Weight |
|-----------------------|-------------------|
| CPI-BM3-EPM-xx | 1.54 kg [3.39 lb] |

BODYBUILDER™ MID MOUNT BOLT PATTERNS

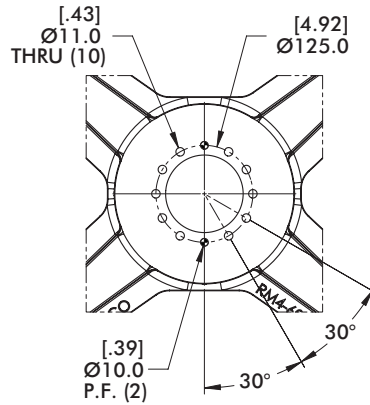
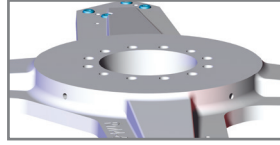
BodyBuilder™ Octagonal Tooling | Robot Interface Bolt Patterns



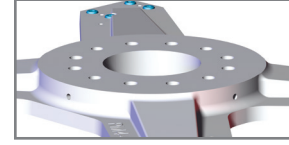
R01 (Ø200mm Bolt Circle)



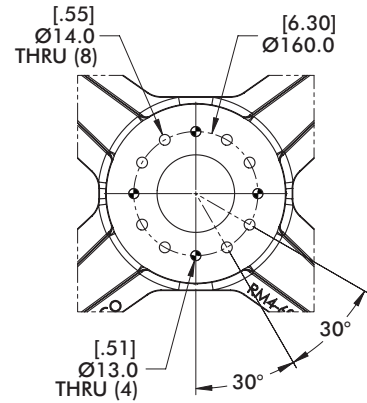
R02 (Ø125mm Bolt Circle)



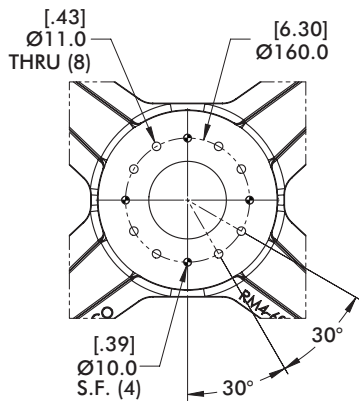
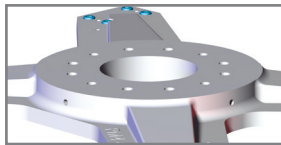
R03 (Ø160mm Bolt Circle)



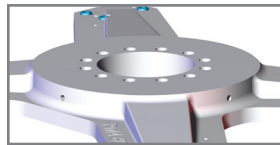
Includes Insulation
Add 1.5mm to Height Dim "A"/"AS"



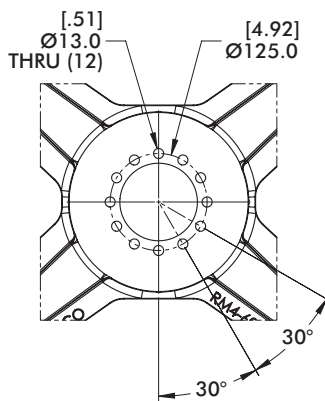
R04 (Ø160mm Bolt Circle)



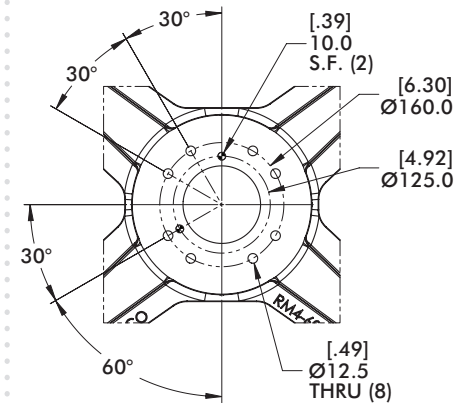
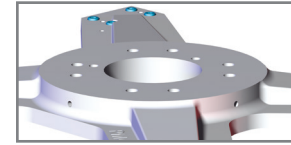
R05 (Ø125mm Bolt Circle)



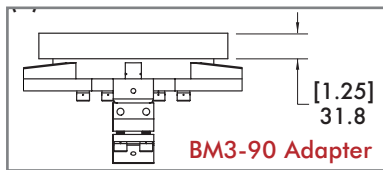
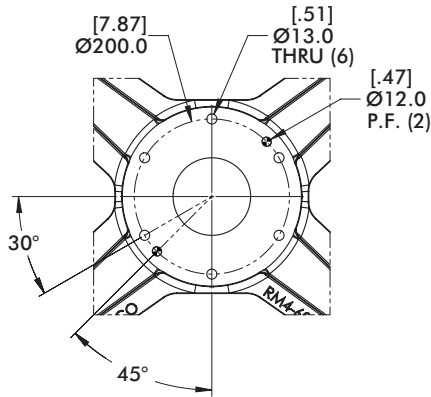
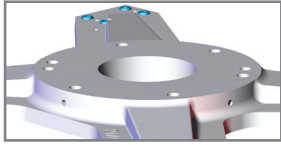
Includes Insulation
Add 1.5mm to Height Dim "A"/"AS"



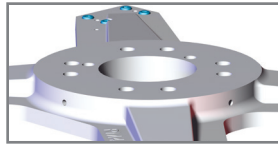
R06 (Ø125/160mm Bolt Circle)



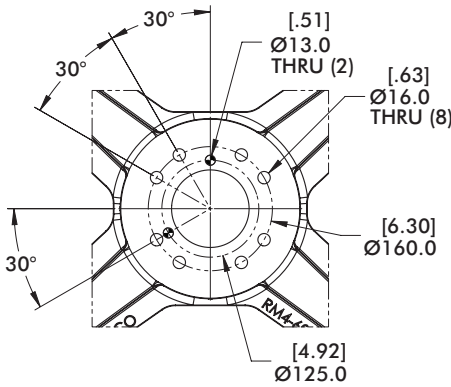
R07 (Ø200mm Bolt Circle)



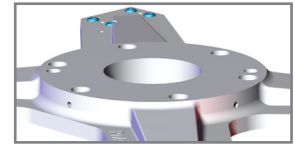
R08 (Ø125/160mm Bolt Circle)



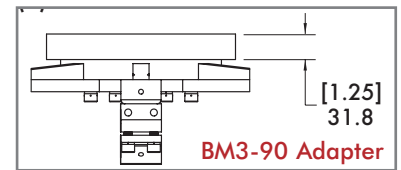
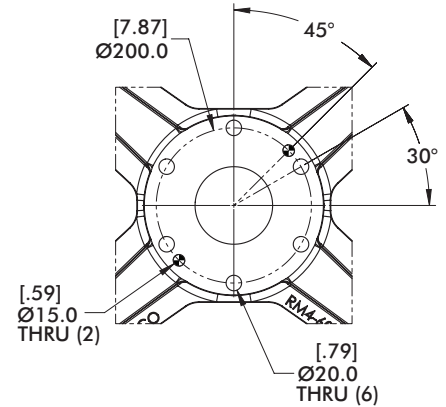
Includes Insulation
Add 1.5mm to Height Dim "A"/"AS"



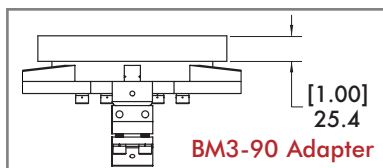
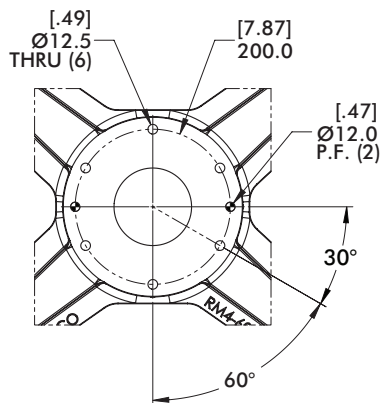
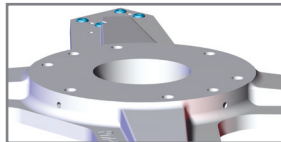
R09 (Ø200mm Bolt Circle)



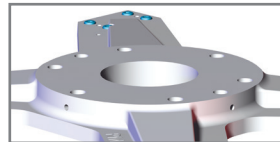
Includes Insulation
Add 1.5mm to Height Dim "A"/"AS"



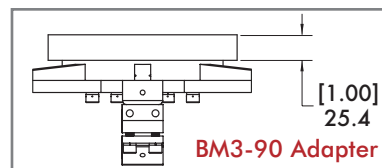
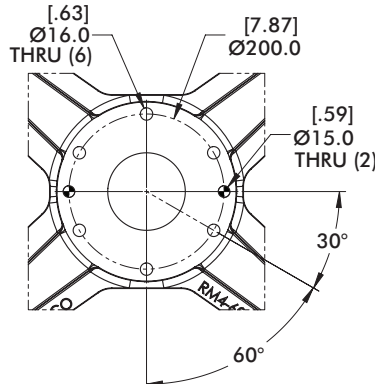
R10 (Ø200mm Bolt Circle)



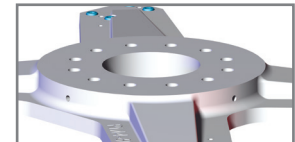
R11 (Ø200mm Bolt Circle)



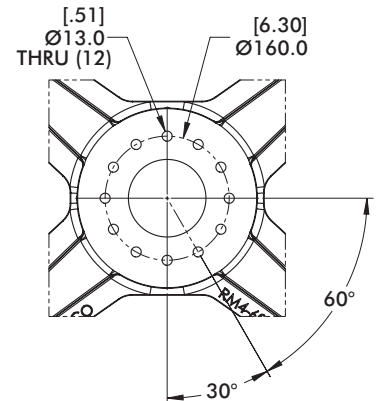
Includes Insulation
Add 1.5mm to Height Dim "A"/"AS"



R12 (Ø160mm Bolt Circle)



Includes Insulation
Add 1.5mm to Height Dim "A"/"AS"

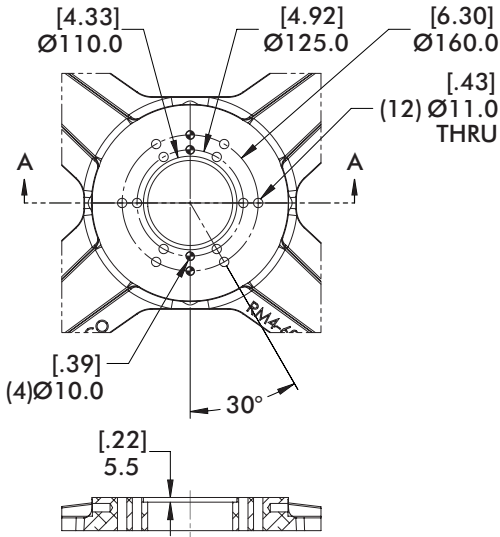
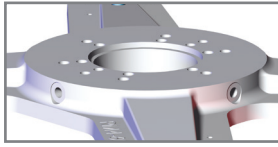


BODYBUILDER™ MID MOUNT BOLT PATTERNS

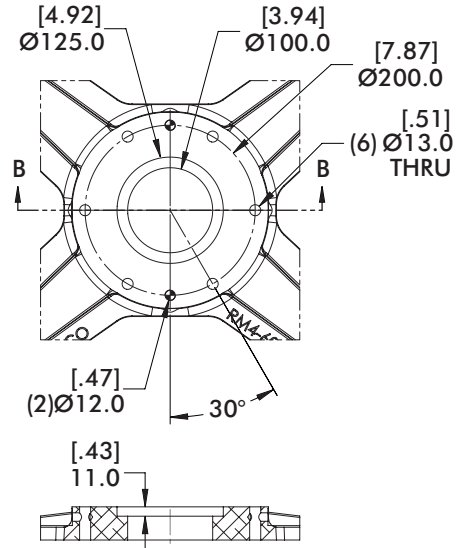
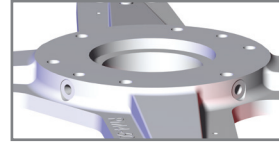


BodyBuilder™ Octagonal Tooling | Robot Interface Bolt Patterns

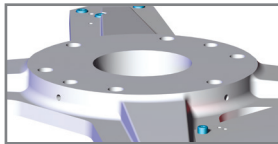
**R13 (Ø125/160mm Bolt Circle)
(Ø110mm Pilot, 5.5mm Deep)**



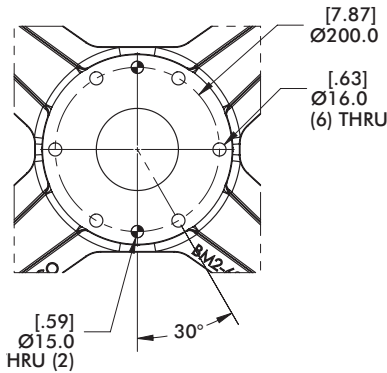
**R14 (Ø200mm Bolt Circle)
(Ø125mm Pilot, 11mm Deep)**



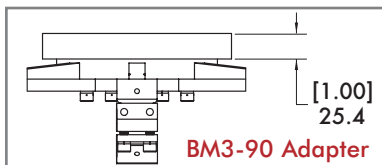
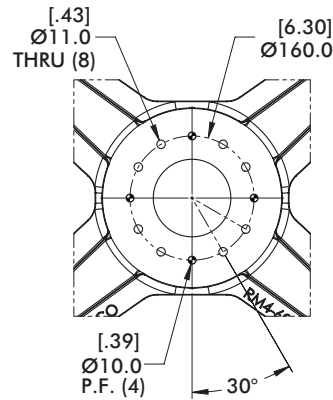
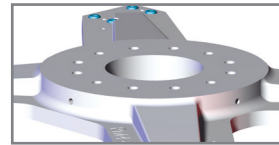
R16 (Ø200mm Bolt Circle)



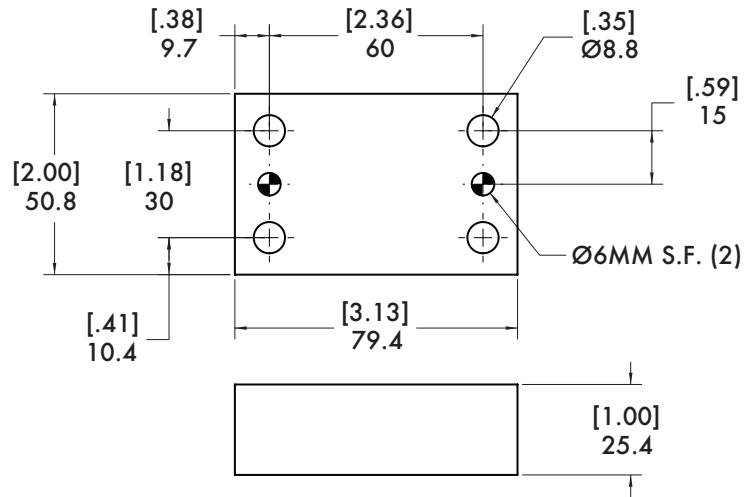
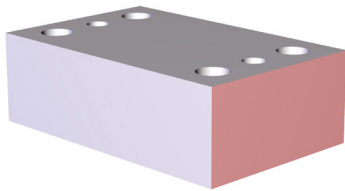
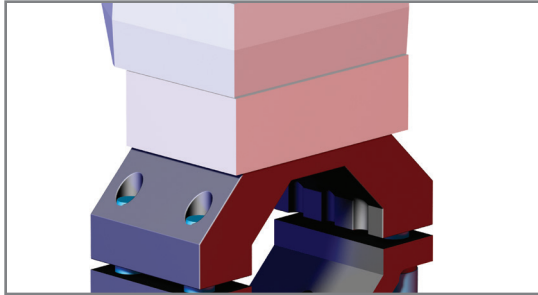
Includes Insulation
Add 1.5mm to Height Dim "A"/"AS"



R17 (Ø160mm Bolt Circle)



RM4-60 Heavy Duty Mid Mount Assembly - 1.00" Riser/Spacer



When ordering with Heavy Duty Mid Mount add designation (S) as shown:

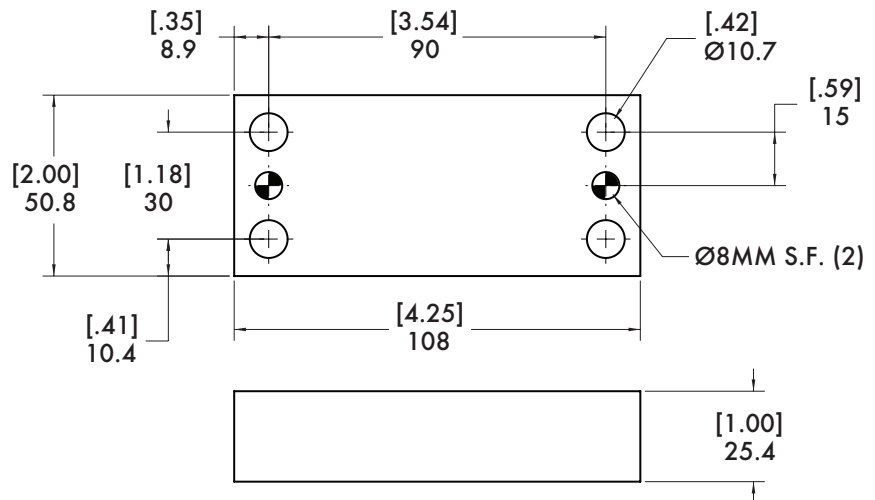
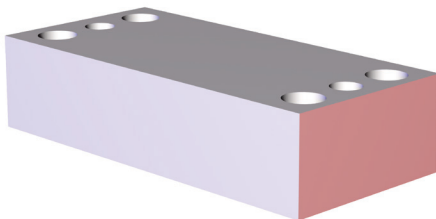
RM4-60-RXX-S

To order Riser separately use Model Number.

| Riser for | Model | Weight |
|-----------|-----------------|-----------------|
| RM4-45/60 | TPMS-60-BM2-10R | .26 kg [.56 lb] |

Specifications:
Material: Aluminum

BM3-90 Heavy Duty Mid Mount Assembly - 1.00" Riser/Spacer



When ordering with Heavy Duty Mid Mount add designation (S) as shown:

BM3-90-RXX-S

To order Riser separately use Model Number.

| Model Number | Weight |
|-----------------|-----------------|
| TPMS-90-BM3-10R | .34 kg [.76 lb] |

Specifications:
Material: Aluminum

BODYBUILDER™ HOLD TABLE

BodyBuilder™ Octagonal Tooling | Technical Specifications, Dimensions



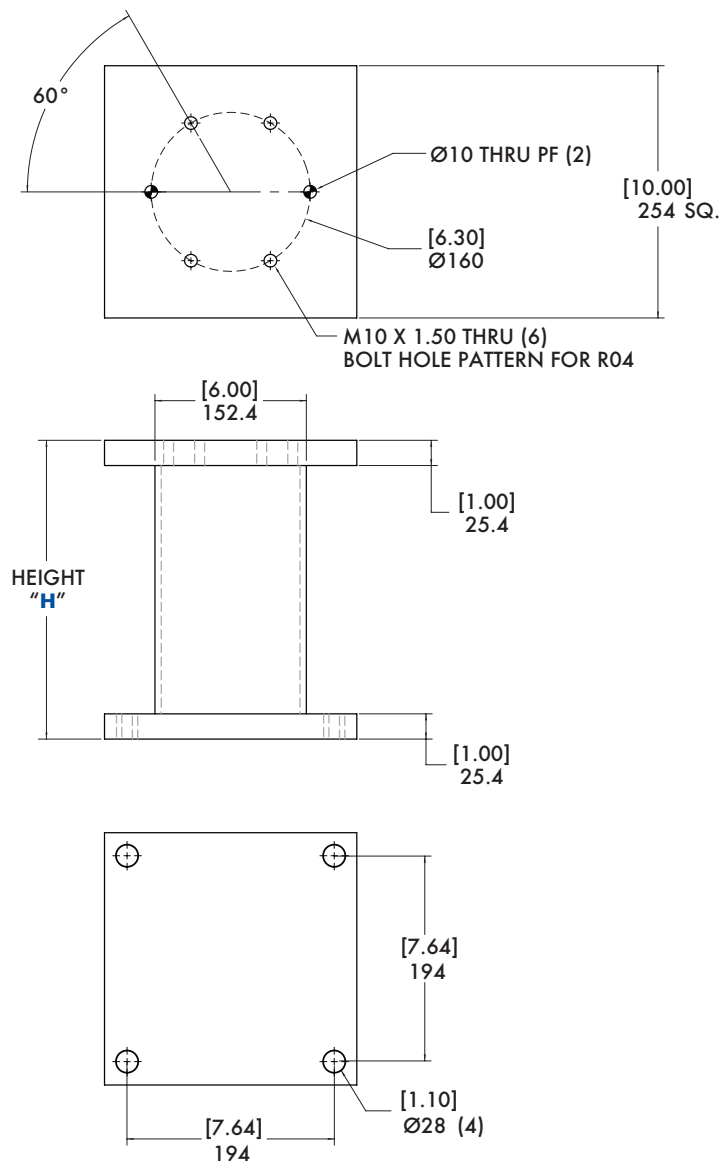
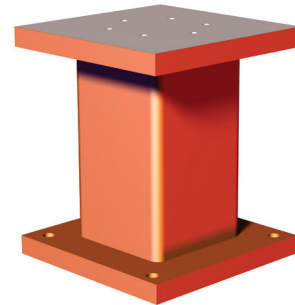
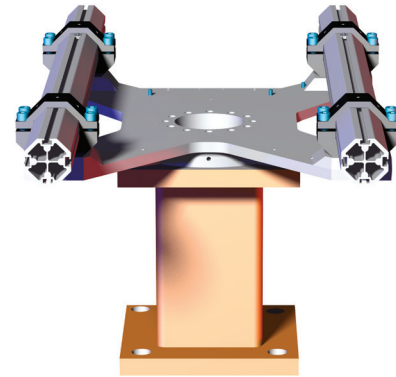
HTW 6" SQ. Pedestal Hold Table Weldment

Features:

- Pedestal Hold Table Weldment when used in conjunction with Mid Mount assemblies serves as a pedestal base for a robust parts nest.

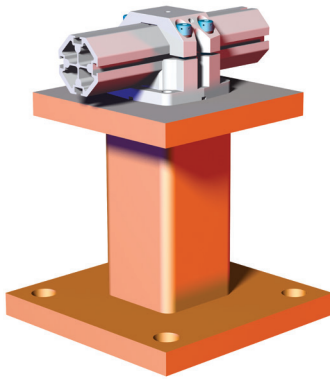
Specifications:

Material: Steel



CPI-HTW-"H" HOLD TABLE WELDMENT

| "H" | Model Number | Weight |
|-----|--------------|------------------------|
| 250 | CPI-HTW-250 | 32.43 kg [71.30lb] |
| 300 | CPI-HTW-300 | 33.75 kg [74.40lb] |
| 350 | CPI-HTW-350 | 35.16 kg [77.50lb] |
| 400 | CPI-HTW-400 | 36.56 kg [80.60lb] |
| 450 | CPI-HTW-450 | 37.97 kg [83.70lb] |
| 500 | CPI-HTW-500 | 39.37 kg [86.81lb] |
| 550 | CPI-HTW-550 | 40.78 kg [89.91lb] |
| 600 | CPI-HTW-600 | 42.19 kg [93.01lb] |
| 650 | CPI-HTW-650 | 43.59 kg [96.11lb] |
| 700 | CPI-HTW-700 | 45.00 kg [99.21lb] |
| 750 | CPI-HTW-750 | 46.41 kg [102.31lb] |
| 800 | CPI-HTW-800 | 47.81 kg [105.41lb] |
| 850 | CPI-HTW-850 | 49.22 kg [108.51lb] |
| 900 | CPI-HTW-900 | 50.62 kg [111.61lb] |

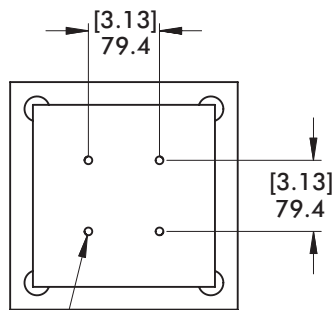


HTW-4 4" SQ. Pedestal Hold Table Weldment

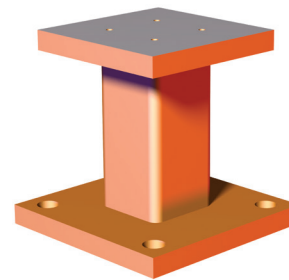
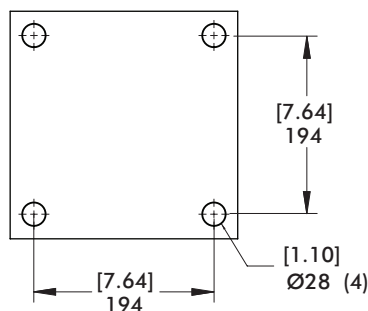
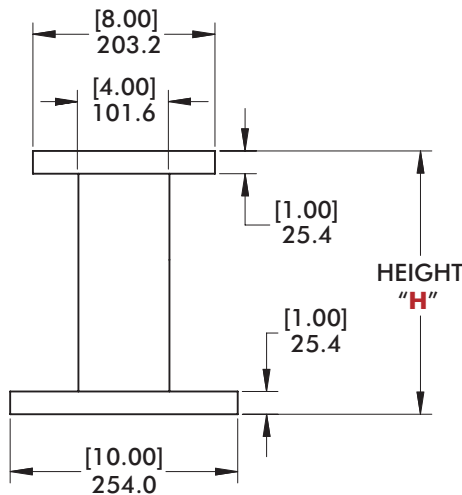
Specifications:
Material: Steel

Features:

- Pedestal Hold Table Weldment when used in conjunction with 45mm or 60mm flange and end mount assemblies serves as a pedestal base for a robust parts nest.



M10 X 1.50 THRU (6)
HOLE PATTERN FOR
TBC-60-00 AND
TBC-45-00



CPI-HTW-“H”-4 HOLD TABLE WELDMENT

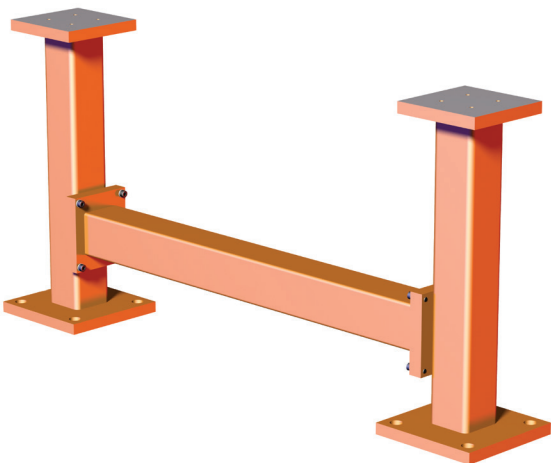
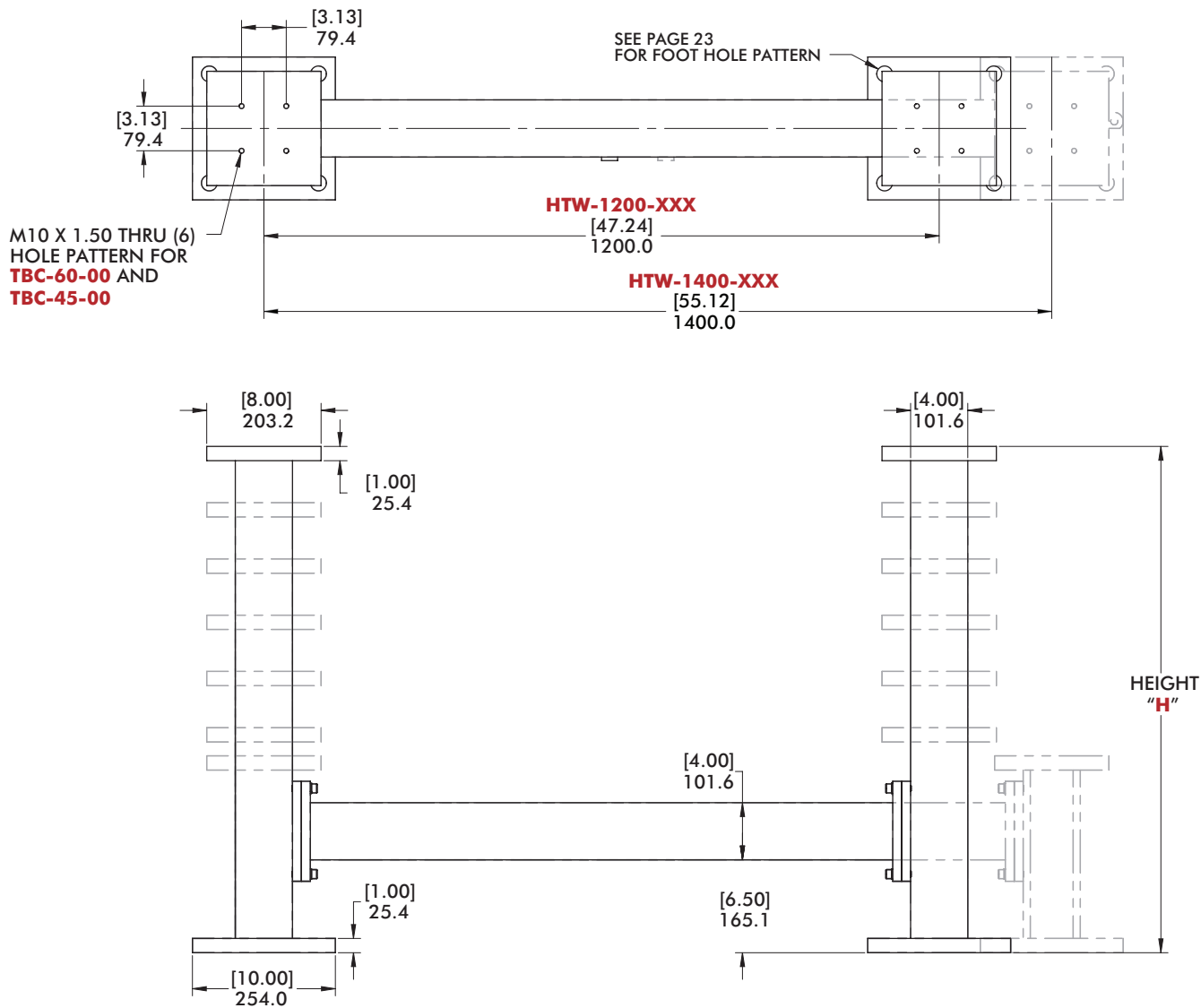
| “H” | Model Number | Weight |
|-----|---------------|--------------------|
| 250 | CPI-HTW-250-4 | 24.02 kg [52.97lb] |
| 300 | CPI-HTW-300-4 | 24.93 kg [54.96lb] |
| 350 | CPI-HTW-350-4 | 25.83 kg [56.95lb] |
| 400 | CPI-HTW-400-4 | 26.73 kg [58.94lb] |
| 450 | CPI-HTW-450-4 | 27.63 kg [60.93lb] |
| 500 | CPI-HTW-500-4 | 28.54 kg [62.92lb] |
| 550 | CPI-HTW-550-4 | 29.44 kg [63.82lb] |
| 600 | CPI-HTW-600-4 | 30.35 kg [66.90lb] |
| 650 | CPI-HTW-650-4 | 31.25 kg [68.89lb] |
| 700 | CPI-HTW-700-4 | 32.15 kg [70.88lb] |
| 750 | CPI-HTW-750-4 | 33.05 kg [72.87lb] |
| 800 | CPI-HTW-800-4 | 33.96 kg [74.87lb] |
| 850 | CPI-HTW-850-4 | 34.86 kg [76.86lb] |
| 900 | CPI-HTW-900-4 | 35.76 kg [78.85lb] |

BODYBUILDER™ HOLD TABLE

BodyBuilder™ Octagonal Tooling | Technical Specifications, Dimensions

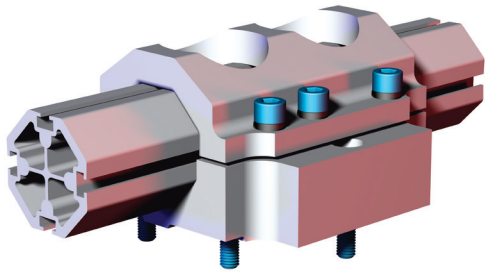


HTW-1200/1400 Pass-Thru Hold Table Weldment



| CPI-"MODEL"- "H" PASS THROUGH TABLE WELDMENT | | | | |
|--|-----------------|-------------------------|-----------------|-------------------------|
| " H " | "Model" | Weight | "Model" | Weight |
| 350 | HTW-1200 | 84.62 kg [186.55lb] | HTW-1400 | 88.39 kg [194.87lb] |
| 400 | HTW-1200 | 86.42 kg [190.53lb] | HTW-1400 | 90.02 kg [198.85lb] |
| 500 | HTW-1200 | 90.04 kg [198.50lb] | HTW-1400 | 93.81 kg [206.82lb] |
| 600 | HTW-1200 | 93.65 kg [206.46lb] | HTW-1400 | 97.42 kg [214.78lb] |
| 700 | HTW-1200 | 97.26 kg [214.42lb] | HTW-1400 | 101.04 kg [222.74lb] |
| 800 | HTW-1200 | 100.87 kg [222.39lb] | HTW-1400 | 104.65 kg [230.71lb] |
| 900 | HTW-1200 | 104.49 kg [230.35lb] | HTW-1400 | 108.26 kg [238.67lb] |

ATI-151-90HD-60BB 60mm Mid Mount



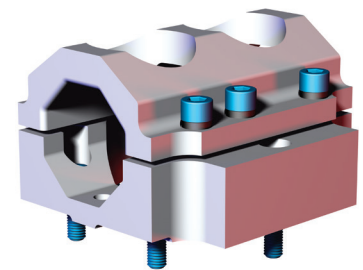
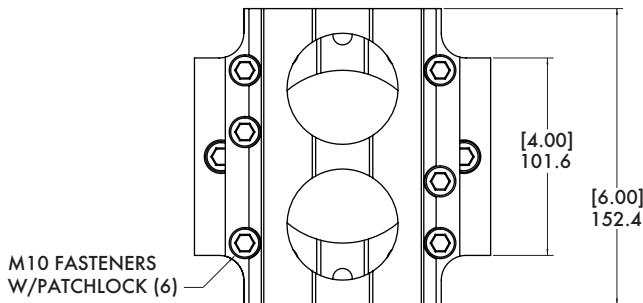
Specifications:

Max. Static Product Load:
746 Nm [550 ft-lb]

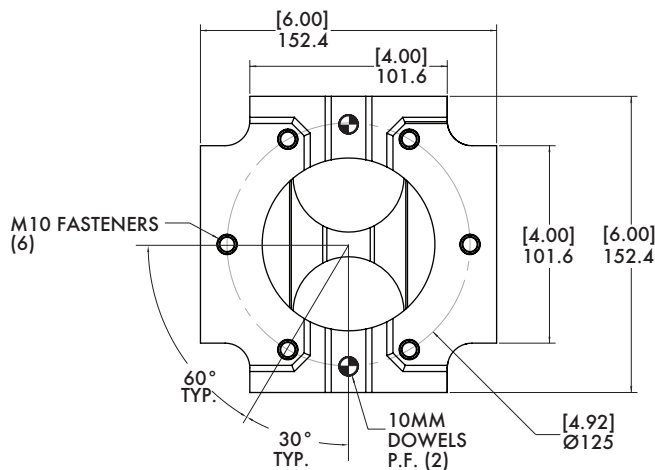
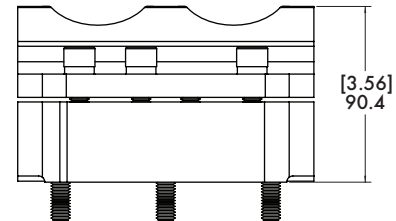
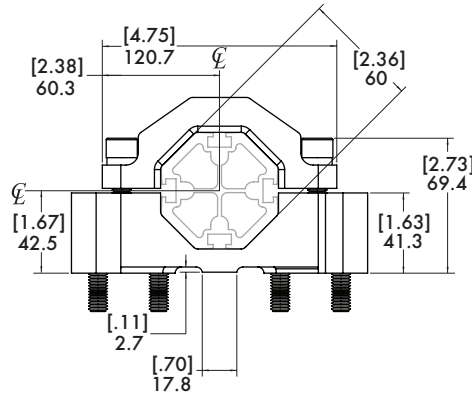
Material: Aluminum

Features:

- Can be used as direct robot interface.



Fasteners included, Dowels not included



| Model Number | Weight |
|-----------------------|-------------------|
| CPI-ATI-151-90HD-60BB | 3.22 kg [7.10 lb] |

BODYBUILDER™ MID MOUNT ASSEMBLIES

BodyBuilder™ Octagonal Tooling | Technical Specifications, Dimensions



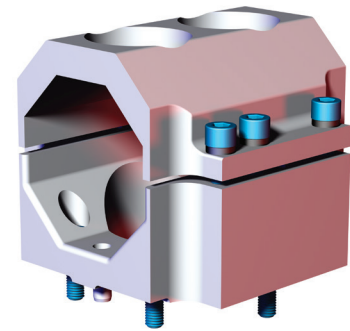
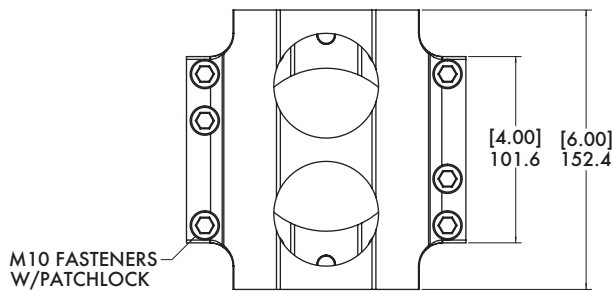
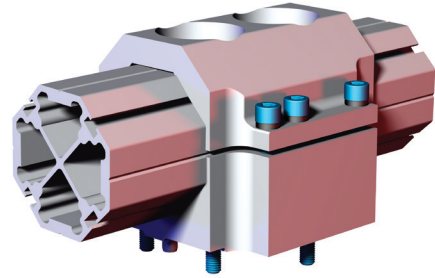
ATI-151-90HD-90BB 90mm Mid Mount

Features:

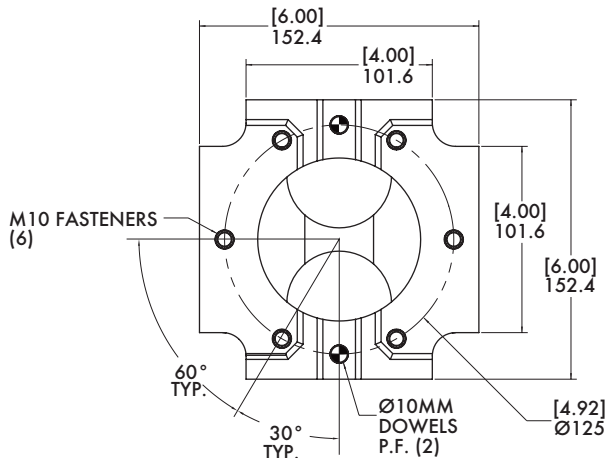
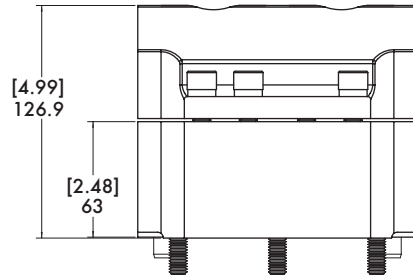
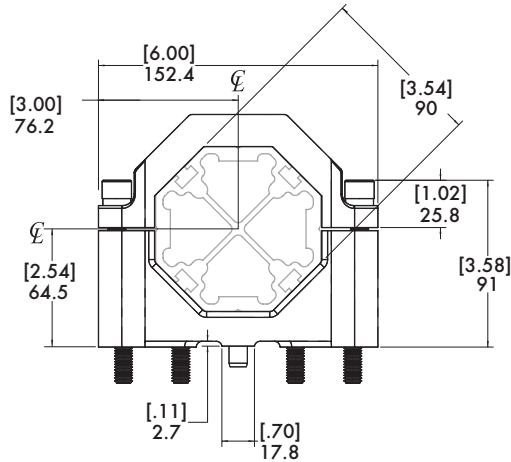
- Can be used as direct robot interface.

Specifications:

Max. Static Product Load:
1355 Nm [1000 ft-lb]
Material: Aluminum



Fasteners and Dowels Included



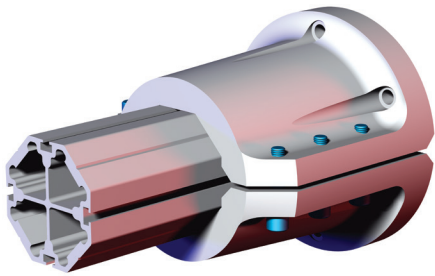
| Model Number | Weight |
|-----------------------|-------------------|
| CPI-ATI-151-90HD-90BB | 2.89 kg [6.38 lb] |



EE-BBR-27

Dimensions and technical information are subject to change without notice

CL-90B-160F 90mm End Mount



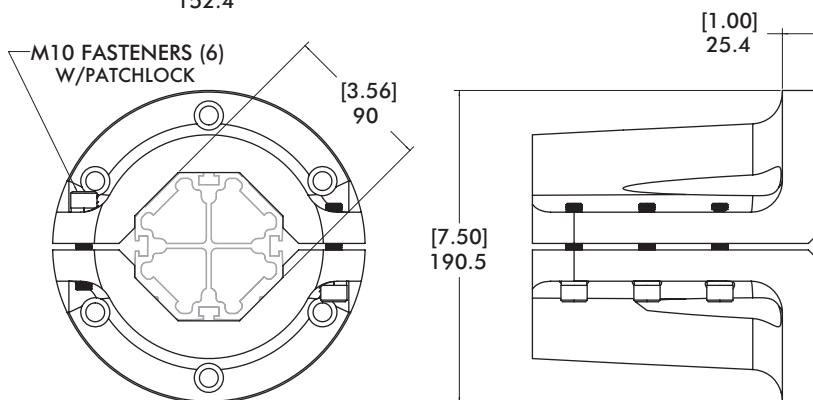
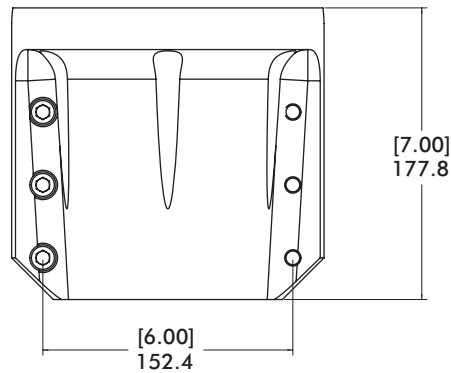
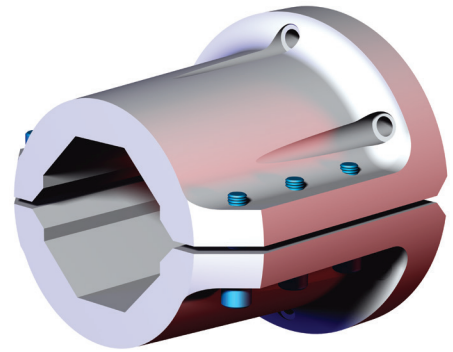
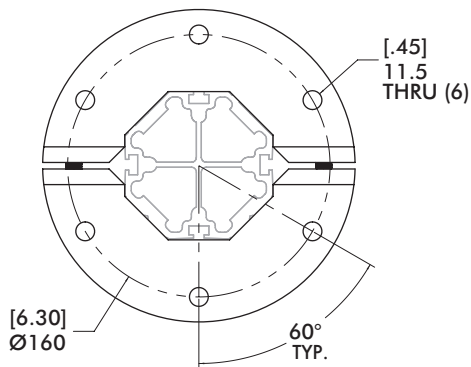
Specifications:

Max. Static Clamp Load:
746 Nm [550 ft-lb]

Material: Aluminum

Features:

- Can be used as direct robot interface.



| Model Number | Weight |
|-----------------|--------------------|
| CPI-CL-90B-160F | 5.91 kg [13.04 lb] |

BODYBUILDER™ BAYONETS



BodyBuilder™ Octagonal Tooling | Technical Specifications, Dimensions

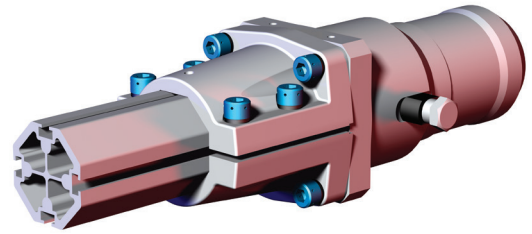
RDCF-60B 60mm BodyBuilder™ Bayonet

Features:

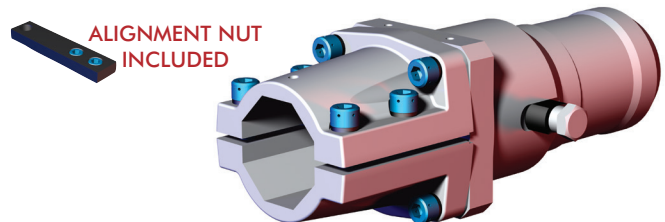
- Used in conjunction with Quick Disconnect Housing to provide an efficient method for changing tools manually.
- Two, hardened alignment pins allow quick and accurate installation into the housing.
- Optional 4-port air and electric available.

Specifications:

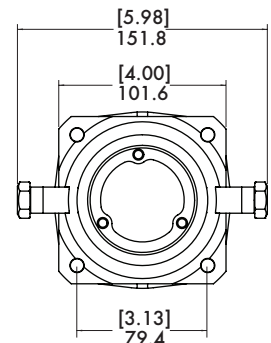
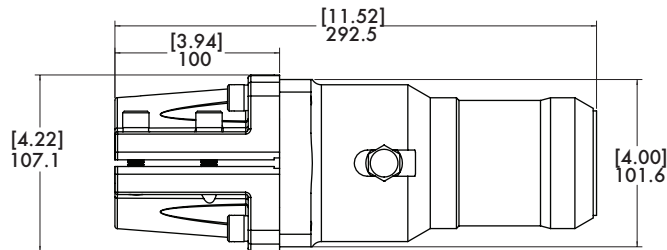
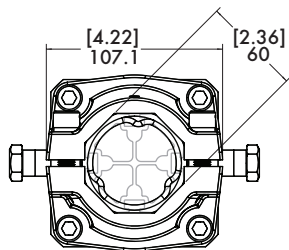
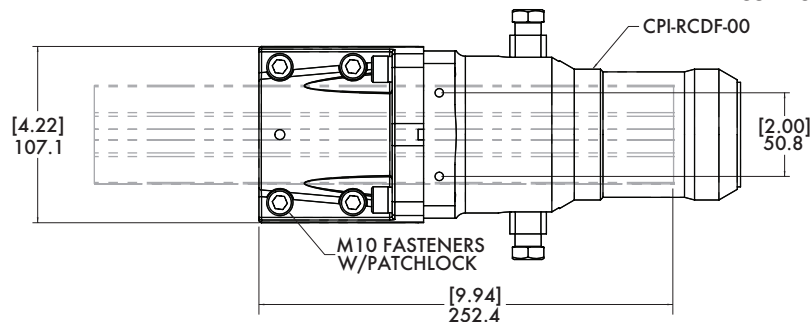
Max. Static Product Load:
746 Nm [550 ft-lb]
Material:
Body: Aluminum
Pins: Steel



Used in conjunction with Quick Disconnect Housing to provide an efficient method for changing tools manually.



Optional 4-port air and electric connections available.



| Model Number | Weight |
|----------------------|-------------------|
| CPI-RDCF-60B-00-00-X | 3.16 kg [6.96 lb] |

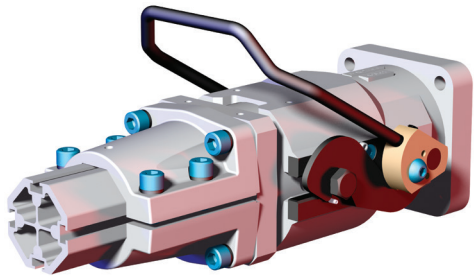


BODYBUILDER™ STRUCTURE END MOUNT ASSEMBLIES

BodyBuilder™ Octagonal Tooling | Technical Specifications, Dimensions



RDN-25-6 Manual Quick Disconnect Housing



Specifications:

Max. Static Product Load:
746 Nm [550 ft-lb]

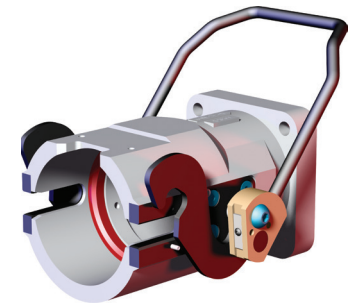
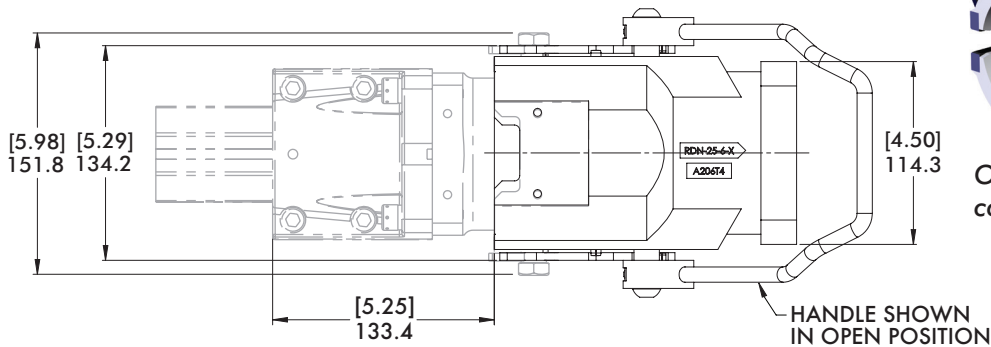
Material:

Body: Aluminum
Knuckles: Brass
Handle and Hooks: Steel
Inserts: Urethane

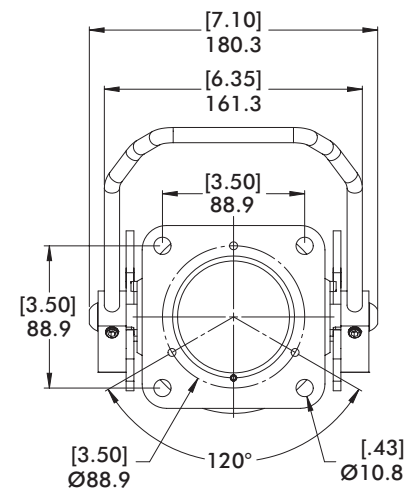
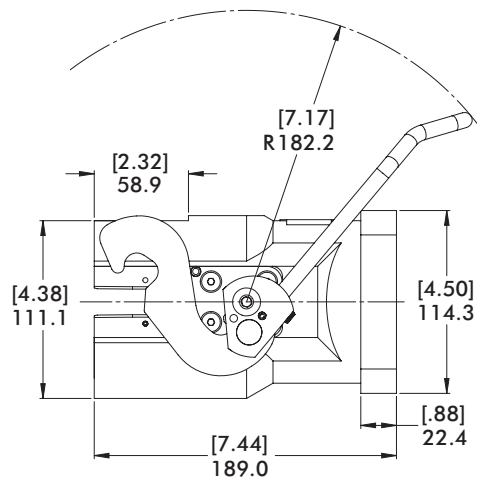
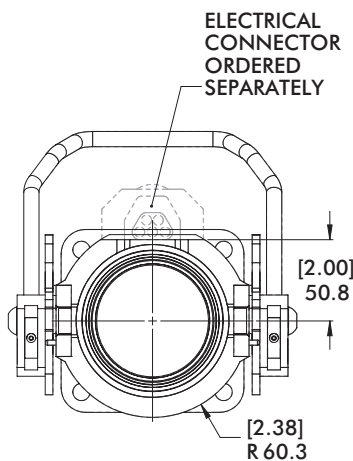
Features:

- Actuation of handle allows quick and accurate installation by pulling the bayonet into a fixed position within the housing.
- The internal rings eliminate vibration and seat the bayonet into a clamped position.
- Hardened steel retainer slots reduce wear and extend product life.

Used in conjunction with 60 mm BodyBuilder™ Bayonet to provide an efficient method for changing tools manually.



Optional 4-port air and electric connections available.



Model Number
CPI-RDN-25-6

Weight
4.00 kg [8.90 lb]

BODYBUILDER™ ALIGNMENT SYSTEM



BodyBuilder™ Octagonal Tooling | Explaining the Patented Alignment System

BodyBuilder™ Robotic Tooling System offers a patented alignment system, ensuring that all BodyBuilder™ components can be adjusted to the original set-up position.

Once the BodyBuilder™ structure bracket mount is secured into place during set-up, insert the alignment nut into the octagonal boom channel groove.

Be sure the alignment nut is inserted so that when it is slid under the bracket mount, the set screws can still be accessed outside the bracket mount as shown.

Slide the alignment nut along the boom groove and underneath the bracket mount until the hole in the block and the appropriate calibration hole in the bracket mount is aligned visual.

Insert the alignment pin into the alignment hole of the bracket mount, through the alignment nut until it stops in the groove of the boom channel.

With the alignment pin in place, the alignment nut should not move. Secure bracket mount in the channel groove by tightening the two set screws. Remove alignment pin as it is used as a probe for alignment purposes only.

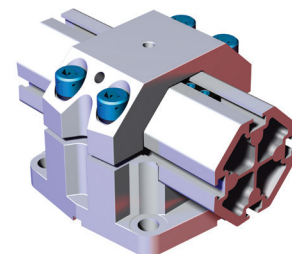
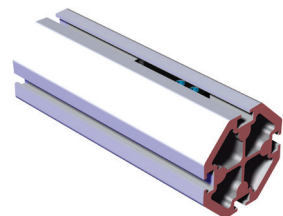
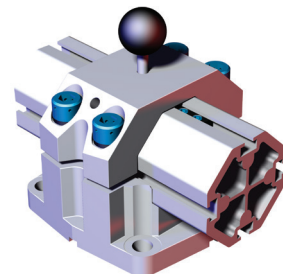
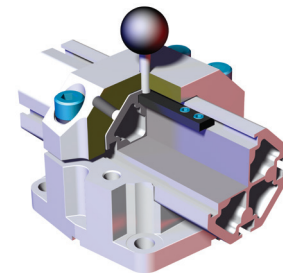
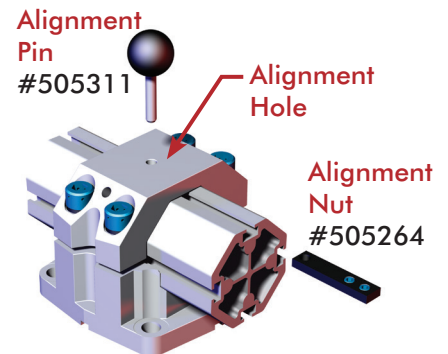
The alignment nut remains in place even when the bracket mount is removed.

To order replacement alignment pin or nut, please use the following order numbers:

Alignment Pin **#505311**, Alignment Nut **#505264**

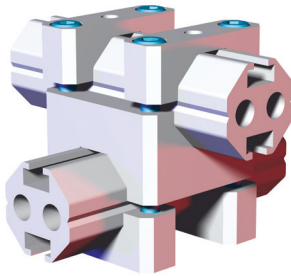
To Replace the Bracket mount, place the assembled bracket mount on the Bodybuilder™ boom until the alignment holes are visually aligned. Insert the alignment pin to secure bracket mount in place, and tighten the fasteners.

Remove the alignment pin and continue tightening the fasteners to specified torque values.



U.S. PATENT 6,349,912

CLM-30B-30B 30mm to 30mm (Micro) Transition Bracket Assembly



Specifications:

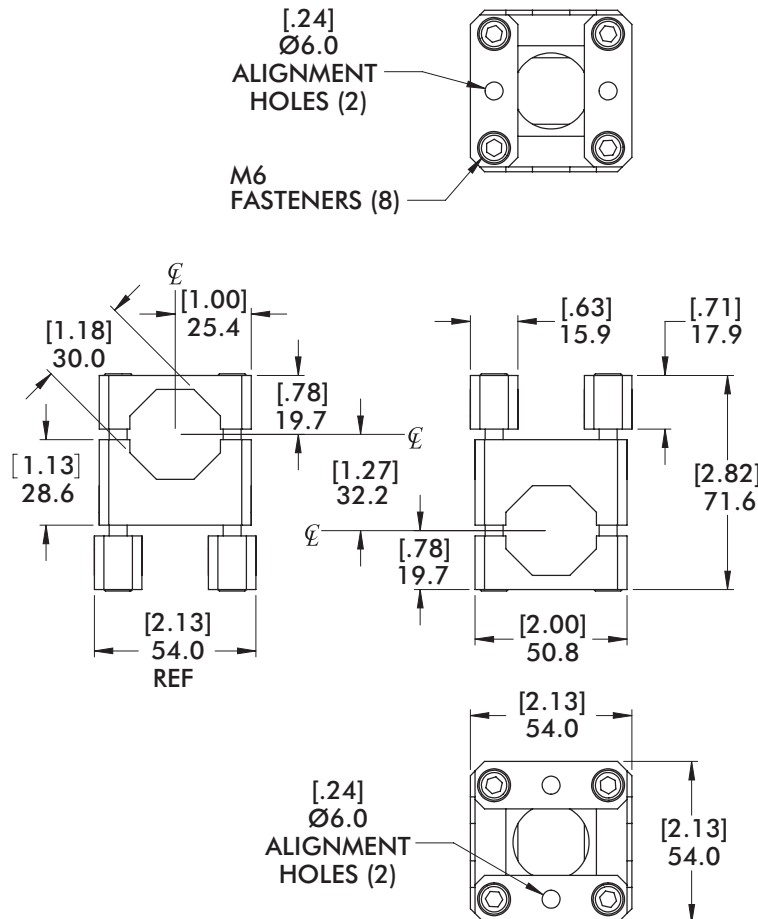
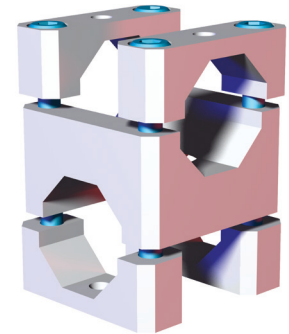
Max. Static Clamp Load:

102 Nm [75 ft-lb]

Material: Aluminum

Features:

- Connects (2) 30mm extrusions perpendicular to each other.
- Lightweight, high-strength aluminum design.



| Model Number | Weight |
|-----------------|-----------------|
| CPI-CLM-30B-30B | .24 kg [.54 lb] |

BODYBUILDER™ TRANSITION BRACKETS AND BLOCKS

BodyBuilder™ Octagonal Tooling | Technical Specifications, Dimensions



30B-30B 30mm to 30mm Transition Bracket Assembly

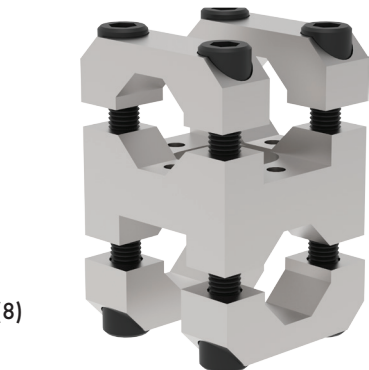
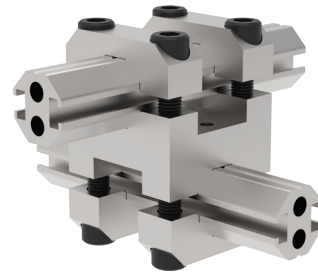
Features:

- Connects (2) 30mm extrusions perpendicular to each other.
- Lightweight, high-strength aluminum design.

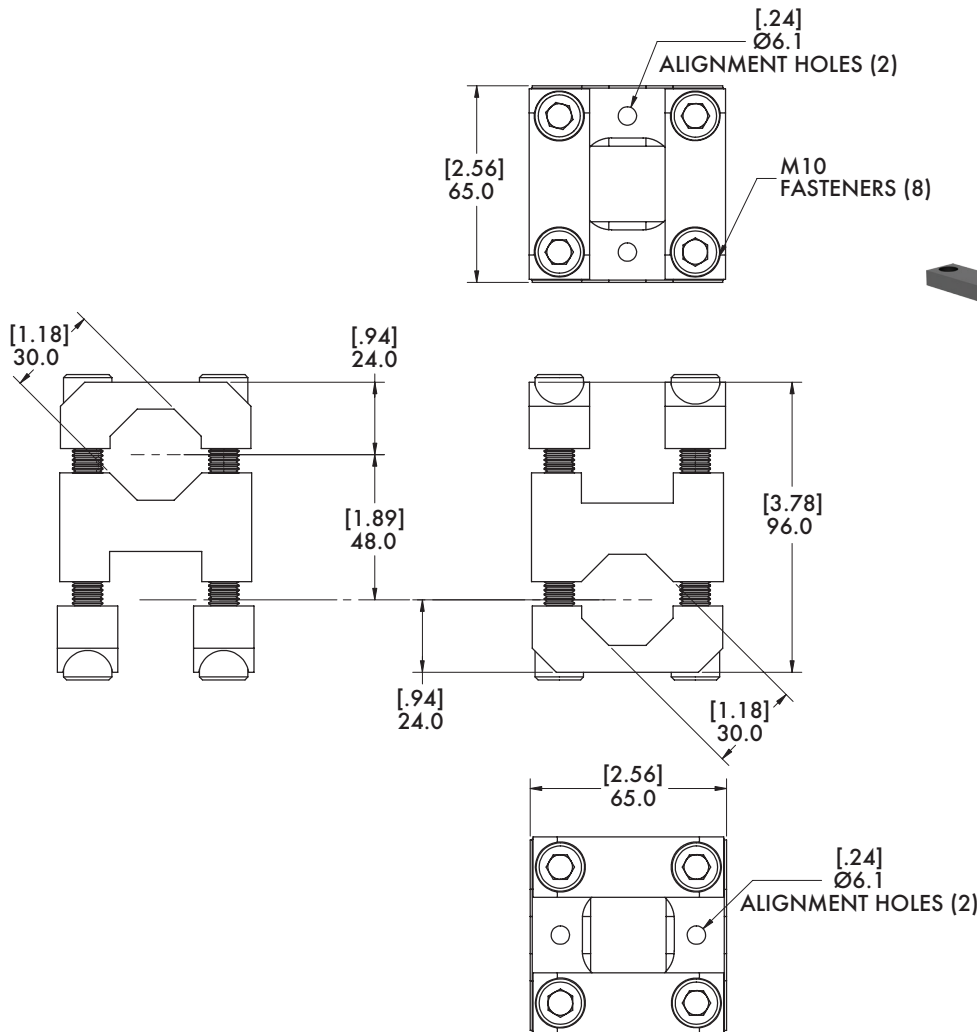
Specifications:

Max.Static Clamp Load:
30mm: 271 Nm [200 ft-lb]

Material: Aluminum



ALIGNMENT NUTS INCLUDED



Model Number

M-30B-30B-M

Weight

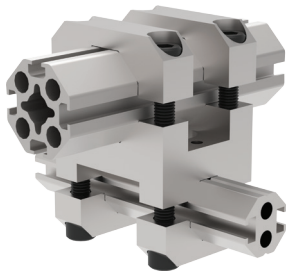
.82 kg [1.80 lb]

BODYBUILDER™ TRANSITION BRACKETS AND BLOCKS

BodyBuilder™ Octagonal Tooling | Technical Specifications, Dimensions



30B-45B 30mm to 45mm Transition Bracket Assembly



Specifications:

Max. Static Clamp Load:

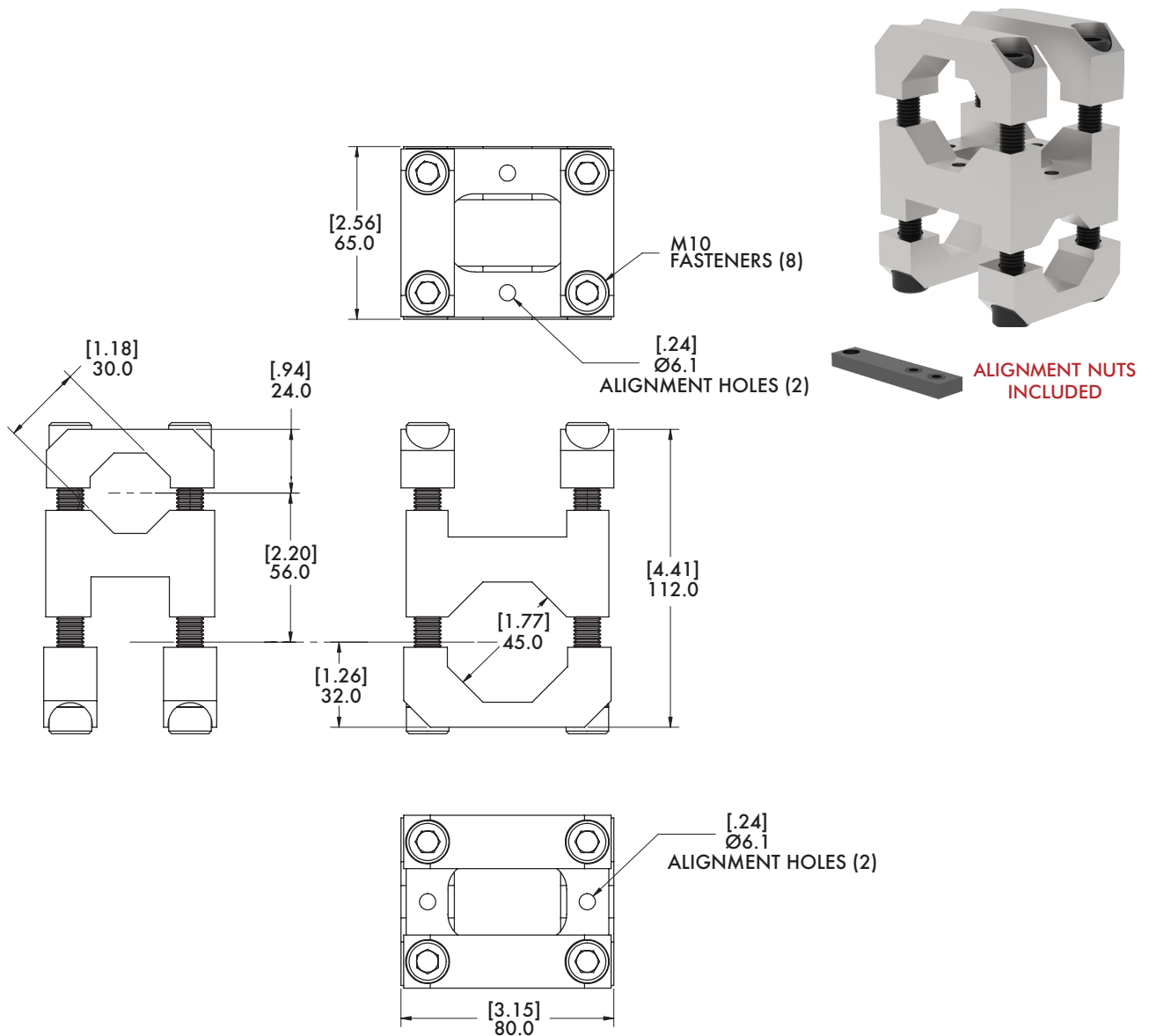
45mm: 475 Nm [350 ft-lb]

30mm: 271 Nm [200 ft-lb]

Material: Aluminum

Features:

- Connects 30mm and 45mm extrusions perpendicular to each other.
- Lightweight, high-strength aluminum design.



| Model Number | Weight |
|--------------|-------------------|
| M-30B-45B-M | 1.00 kg [2.20 lb] |

BODYBUILDER™ TRANSITION BRACKETS AND BLOCKS

BodyBuilder™ Octagonal Tooling | Technical Specifications, Dimensions



45B-45B 45mm to 45mm Transition Bracket Assembly

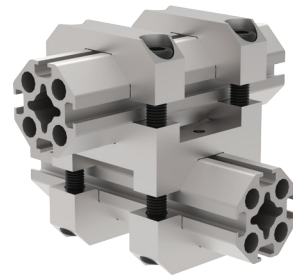
Features:

- Connects (2) 45mm extrusions perpendicular to each other.
- Lightweight, high-strength aluminum design

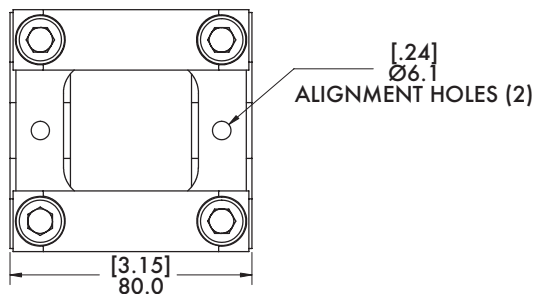
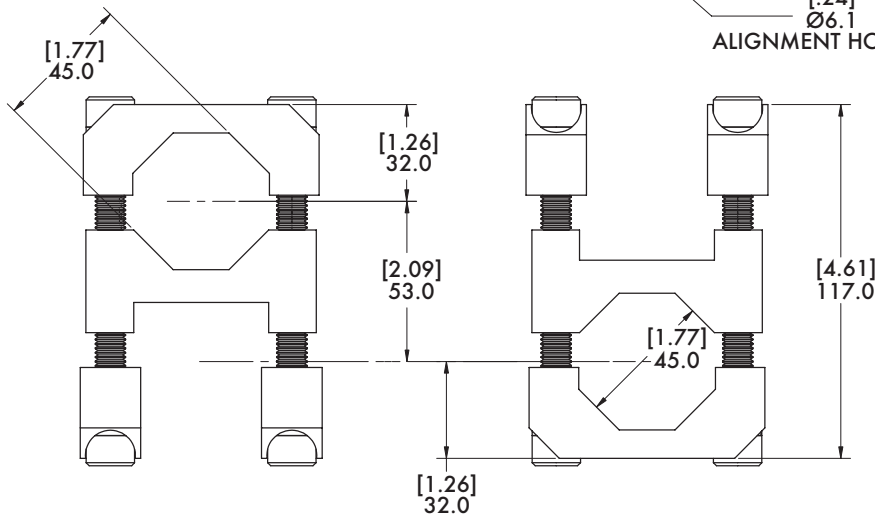
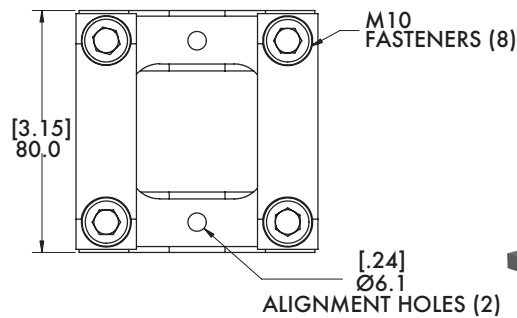
Specifications:

Max. Static Clamp Load:
45mm: 475 Nm [350 ft-lb]

Material: Aluminum



ALIGNMENT NUTS INCLUDED



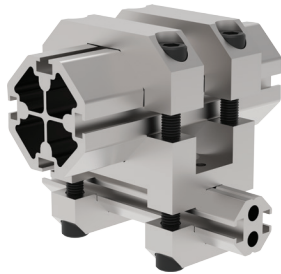
| Model Number | Weight |
|--------------|-------------------|
| M-45B-45B-M | 1.05 kg [2.31 lb] |

BODYBUILDER™ TRANSITION BRACKETS AND BLOCKS

BodyBuilder™ Octagonal Tooling | Technical Specifications, Dimensions



30B-60B 30mm to 60mm Transition Bracket Assembly

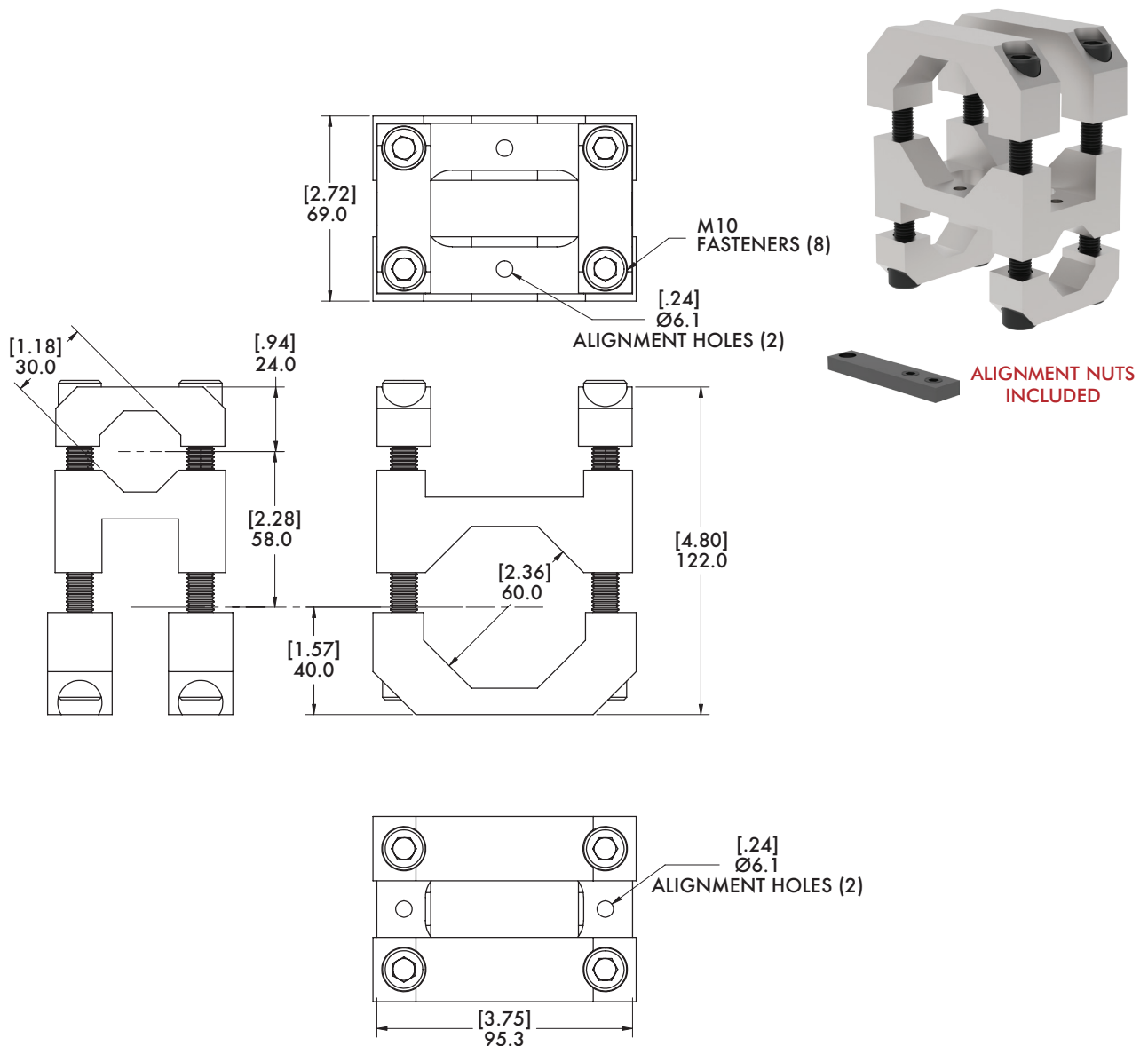


Specifications:

Max. Static Clamp Load:
 60mm: 746 Nm [550 ft-lb]
 30mm: 271 Nm [200 ft-lb]
Material: Aluminum

Features:

- Connects 30mm and 60mm extrusions perpendicular to each other.
- Lightweight, high-strength aluminum design.



| Model Number | Weight |
|--------------|-------------------|
| M-30B-60B-M | 1.13 kg [2.50 lb] |

BODYBUILDER™ TRANSITION BRACKETS AND BLOCKS

BodyBuilder™ Octagonal Tooling | Technical Specifications, Dimensions



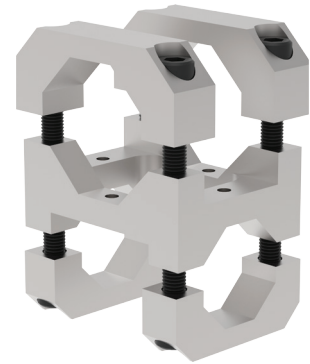
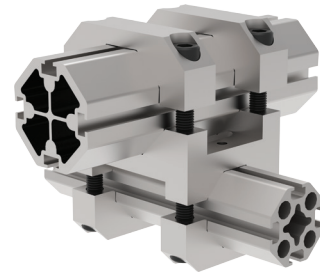
45B-60B 45mm to 60mm Transition Bracket Assembly

Features:

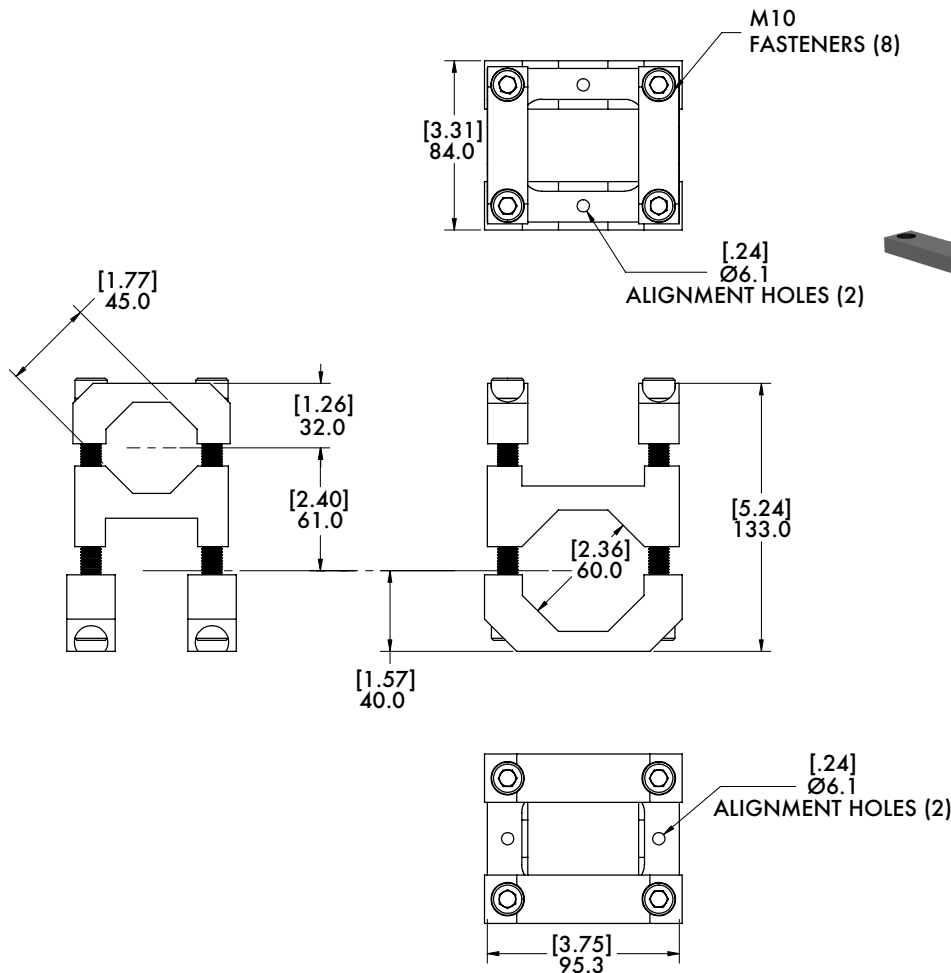
- Connects 45mm and 60mm extrusions perpendicular to each other.
- Lightweight, high-strength aluminum design.

Specifications:

Max. Static Clamp Load:
 60mm: 746 Nm [550 ft-lb]
 45mm: 475 Nm [350 ft-lb]
Material: Aluminum



ALIGNMENT NUTS INCLUDED



| Model Number | Weight |
|--------------|-------------------|
| M-45B-60B-M | 1.23 kg [2.70 lb] |

BODYBUILDER™ TRANSITION BRACKETS AND BLOCKS

BodyBuilder™ Octagonal Tooling | Technical Specifications, Dimensions



60B-60B 60mm to 60mm Transition Bracket Assembly

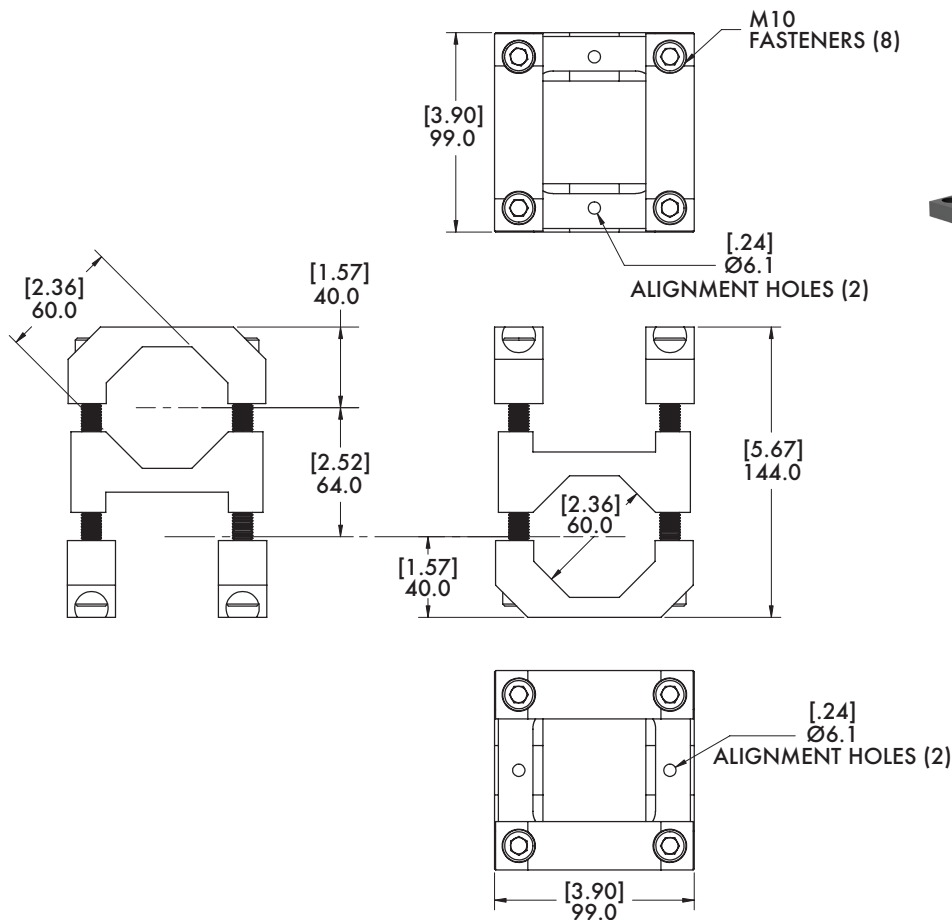
Specifications:

Max. Static Clamp Load:
60mm: 746 Nm [550 ft-lb]

Material: Aluminum

Features:

- Connects (2) 60mm extrusions perpendicular to each other.
- Lightweight, high-strength aluminum design



ALIGNMENT NUTS INCLUDED

Model Number

Weight

M-60B-60B-M

1.36 kg [3.00 lb]

BODYBUILDER™ TRANSITION BRACKETS AND BLOCKS

BodyBuilder™ Octagonal Tooling | Technical Specifications, Dimensions



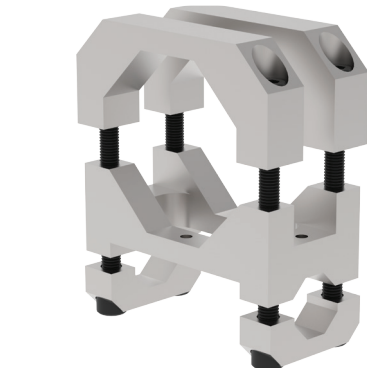
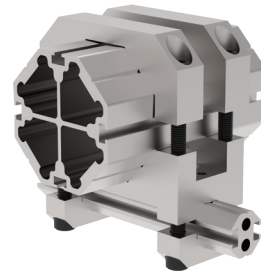
30B-90B 30mm to 90mm Transition Bracket Assembly

Features:

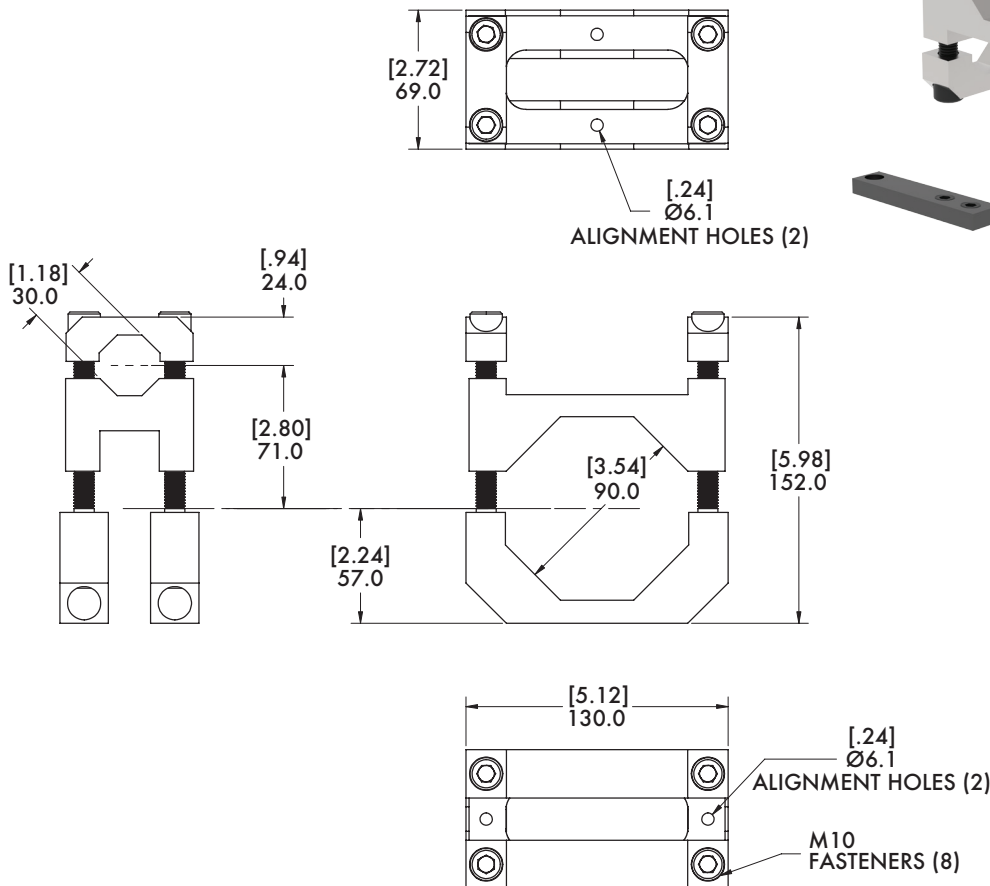
- Connects 30 and 90mm extrusions perpendicular to each other.
- Lightweight, high-strength aluminum design.

Specifications:

Max. Static Clamp Load:
 30mm: 271 Nm [200 ft-lb]
 90mm: 746 Nm [550 ft-lb]
Material: Aluminum



ALIGNMENT NUTS INCLUDED



| Model Number | Weight |
|--------------|-------------------|
| M-30B-90B-M | 1.78 kg [3.93 lb] |

BODYBUILDER™ TRANSITION BRACKETS AND BLOCKS

BodyBuilder™ Octagonal Tooling | Technical Specifications, Dimensions



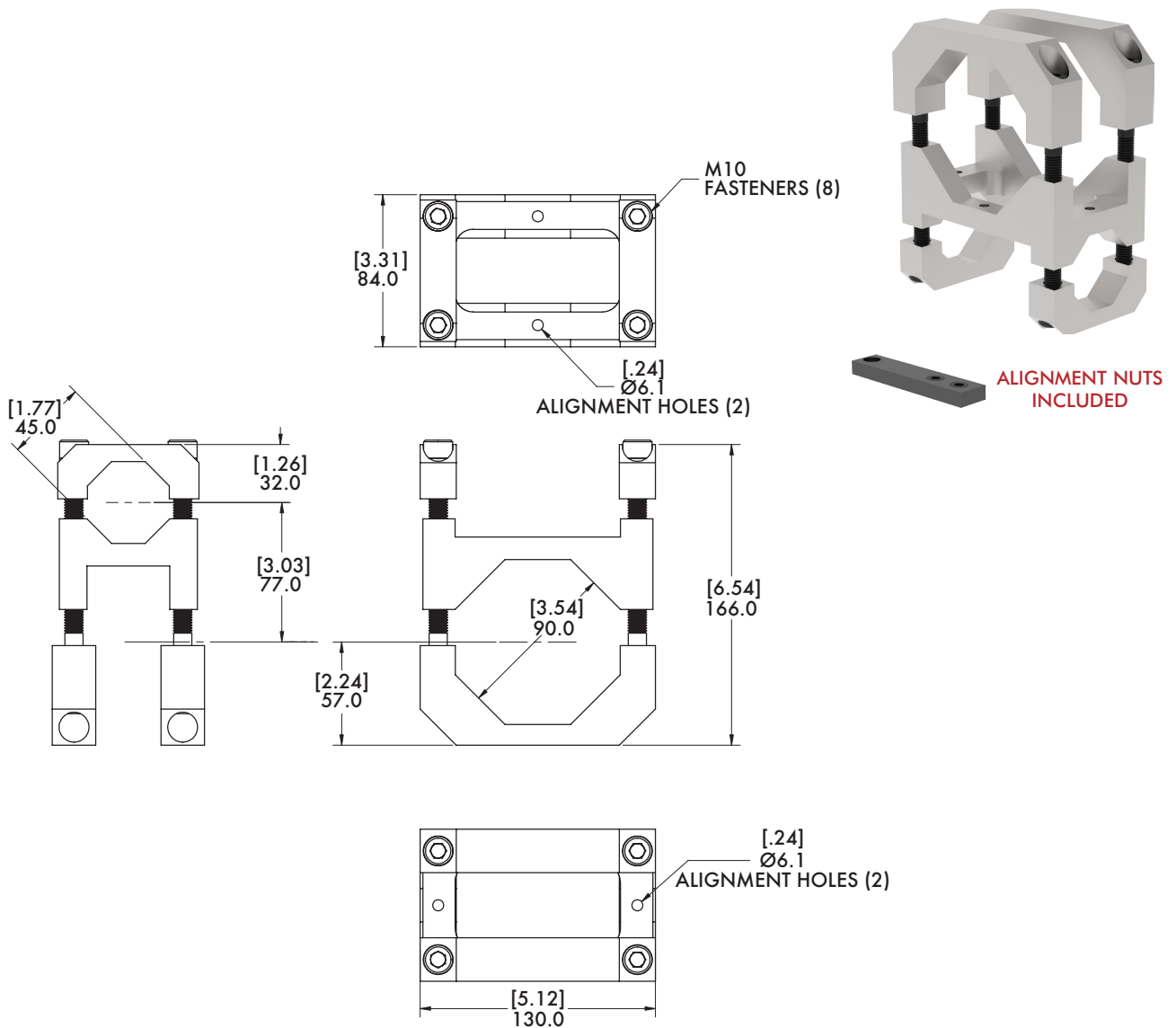
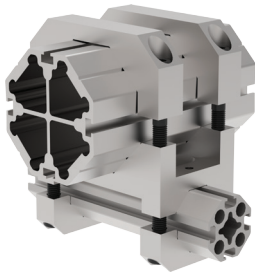
45B-90B 45mm to 90mm Transition Bracket Assembly

Specifications:

Max. Static Clamp Load:
 45mm: 475 Nm [350 ft-lb]
 90mm: 746 Nm [550 ft-lb]
Material: Aluminum

Features:

- Connects 45 and 90mm extrusions perpendicular to each other.
- Lightweight, high-strength aluminum design.



| Model Number | Weight |
|--------------|-------------------|
| M-45B-90B-M | 1.91 kg [4.21 lb] |

BODYBUILDER™ TRANSITION BRACKETS AND BLOCKS

BodyBuilder™ Octagonal Tooling | Technical Specifications, Dimensions



60B-90B 60mm to 90mm Transition Bracket Assembly

Features:

- Connects 60mm and 90mm extrusions perpendicular to each other.
- Lightweight, high-strength aluminum design.

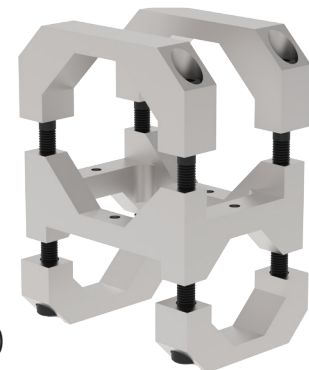
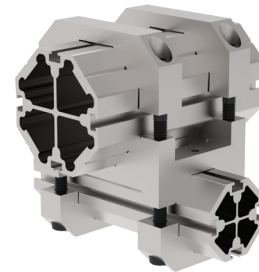
Specifications:

Maximum Clamp Load:

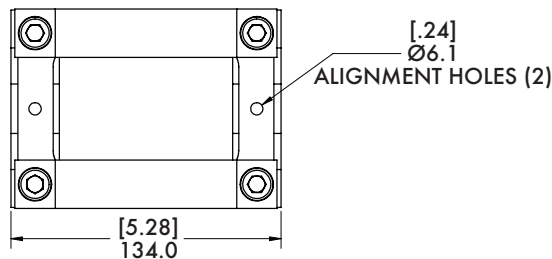
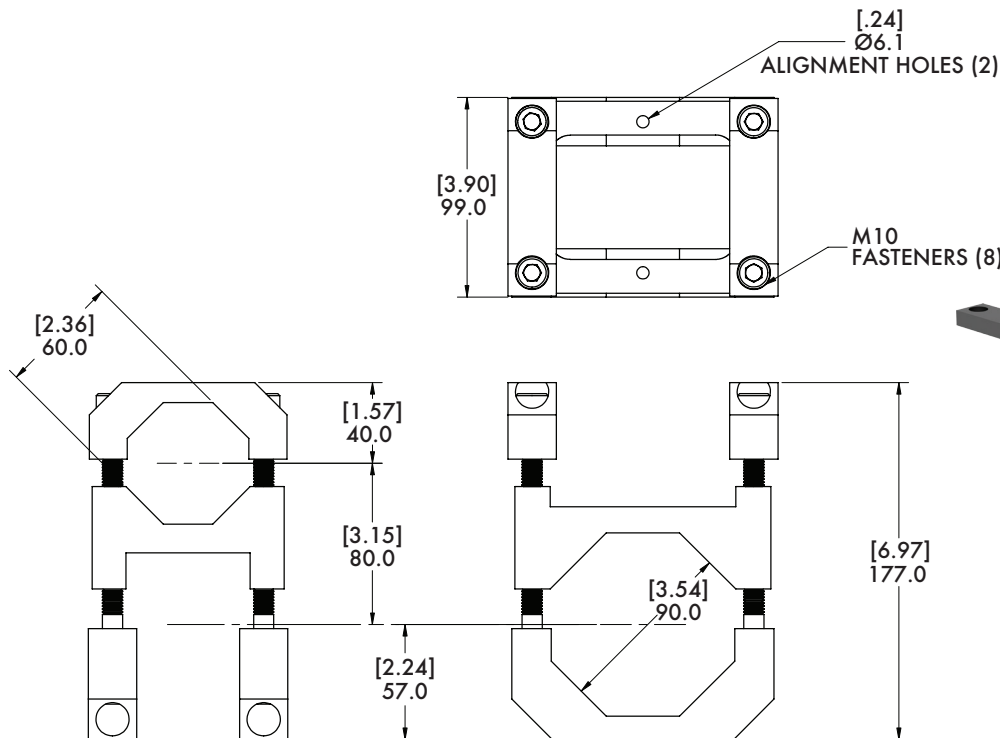
60mm and 90mm:

746 Nm [550 ft-lb]

Material: Aluminum



ALIGNMENT NUTS INCLUDED



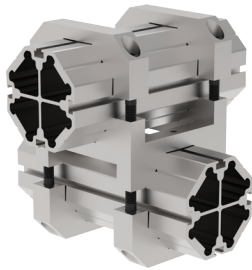
| Model Number | Weight |
|--------------|-------------------|
| M-60B-90B-M | 2.25 kg [4.97 lb] |

BODYBUILDER™ TRANSITION BRACKETS AND BLOCKS

BodyBuilder™ Octagonal Tooling | Technical Specifications, Dimensions



90B-90B 90mm to 90mm Transition Bracket Assembly



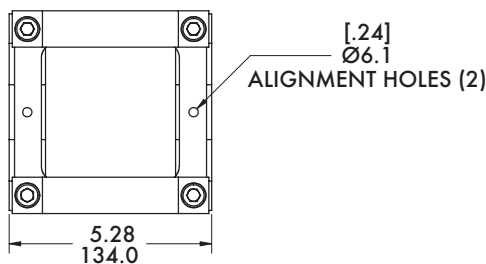
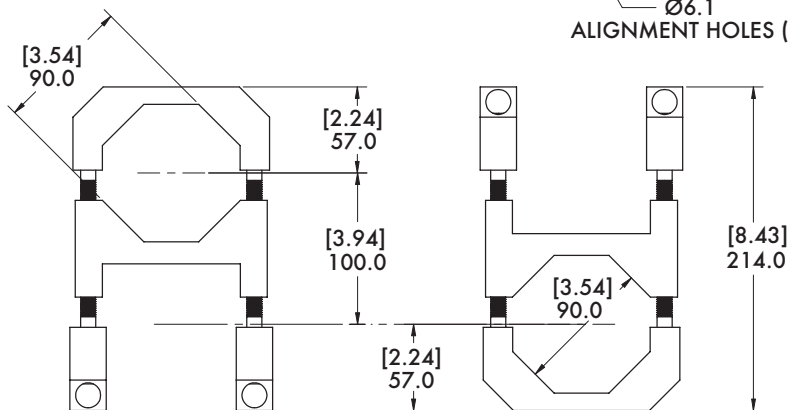
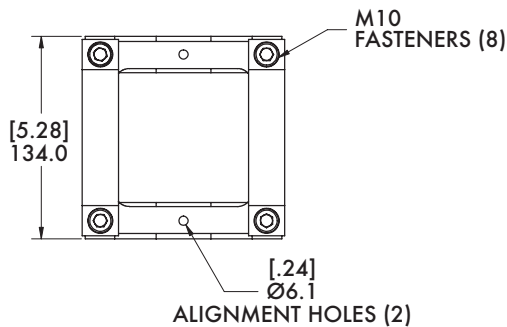
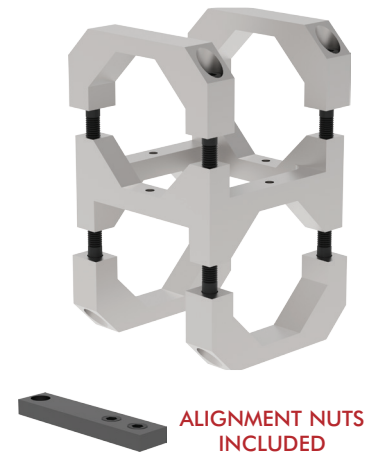
Specifications:

Max. Static Clamp Load:
746 Nm [550 ft-lb]

Material: Aluminum

Features:

- Connects (2) 90mm extrusions perpendicular to each other.
- Lightweight, high-strength aluminum design.



| Model Number | Weight |
|--------------|-------------------|
| M-90B-90B-M | 3.33 kg [7.34 lb] |

BODYBUILDER™ SQUARE CLAMPS



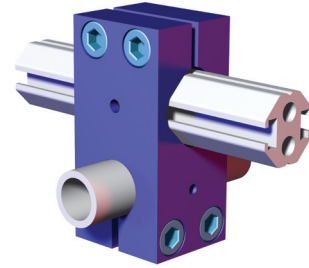
BodyBuilder™ Octagonal Tooling | Octagon to Round Transition Block Assembly

Features:

- Connects BodyBuilder™ extrusion and round tubing perpendicular to each other.
- Lightweight, high-strength aluminum design.

Specifications:

Material: Aluminum

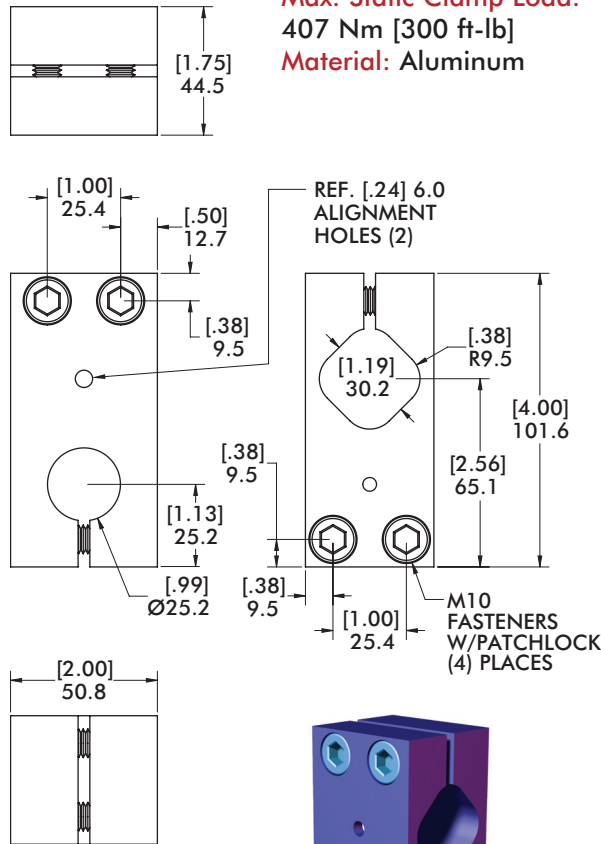


30B-25M 30mm Octagon to 25mm Round

Specifications:

Max. Static Clamp Load:
407 Nm [300 ft-lb]

Material: Aluminum



Model Number

M-30B-25M-M

Weight

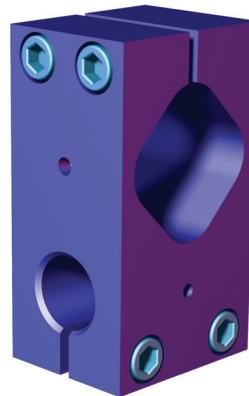
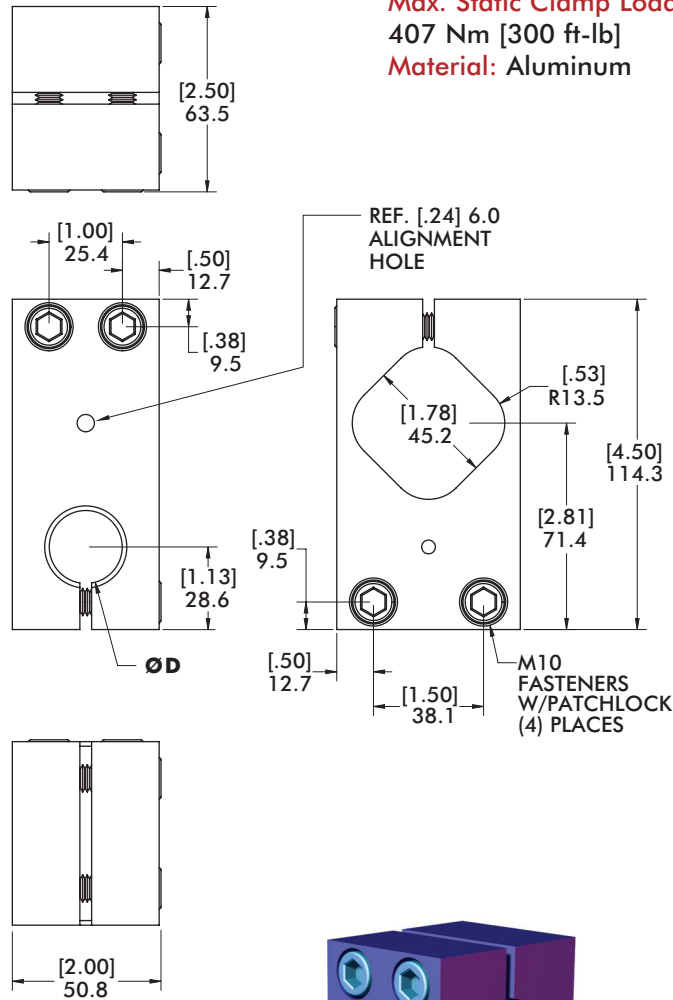
.50 kg [1.10 lb]

45B-25M (-10E) 45mm Octagon to 25mm or 1 in. Round

Specifications:

Max. Static Clamp Load:
407 Nm [300 ft-lb]

Material: Aluminum



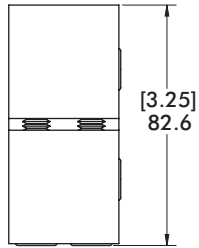
| Model Number | Weight | ØD |
|--------------|------------------|-------|
| M-45B-25M-M | .70 kg [1.54 lb] | 25mm |
| M-45B-10E-M | .70 kg [1.54 lb] | 1 in. |

TRANSITION SQUARE CLAMPS

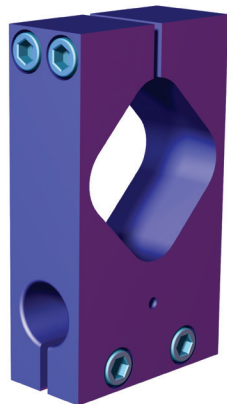
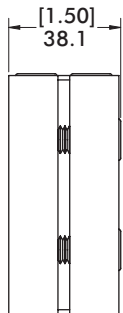
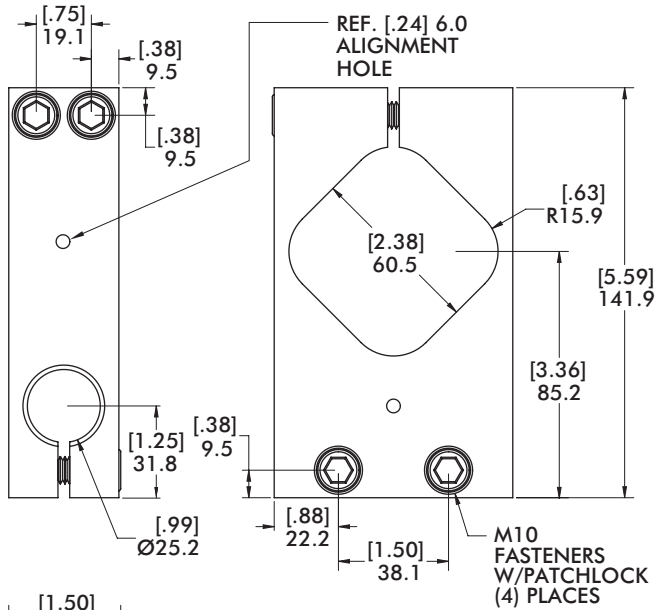


BodyBuilder™ Octagonal Tooling | Technical Specifications, Dimensions

60B-25M 60mm Octagon to 25mm Round



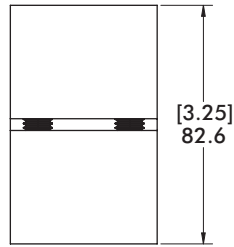
Specifications:
 Max. Static Clamp Load:
 407 Nm [300 ft-lb]
 Material: Aluminum



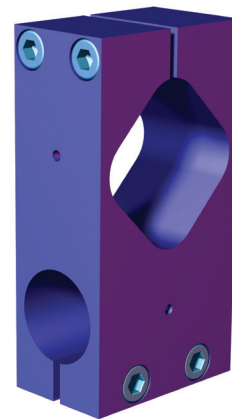
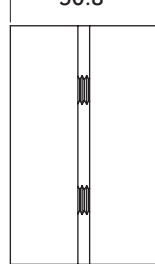
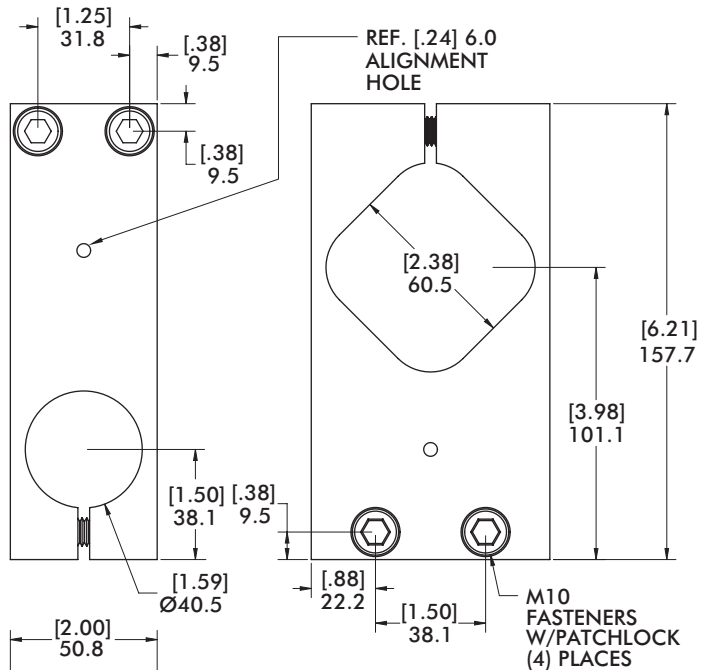
Model Number
M-60B-25M-M

Weight
 .78 kg [1.72 lb]

60B-40M 60mm Octagon to 40mm Round



Specifications:
 Max. Static Clamp Load:
 813 Nm [600 ft-lb]
 Material: Aluminum



Model Number
M-60B-40M-M

Weight
 1.10 kg [2.43 lb]

BODYBUILDER™ TRANSITION BRACKETS AND BLOCKS

BodyBuilder™ Octagonal Tooling | Technical Specifications, Dimensions



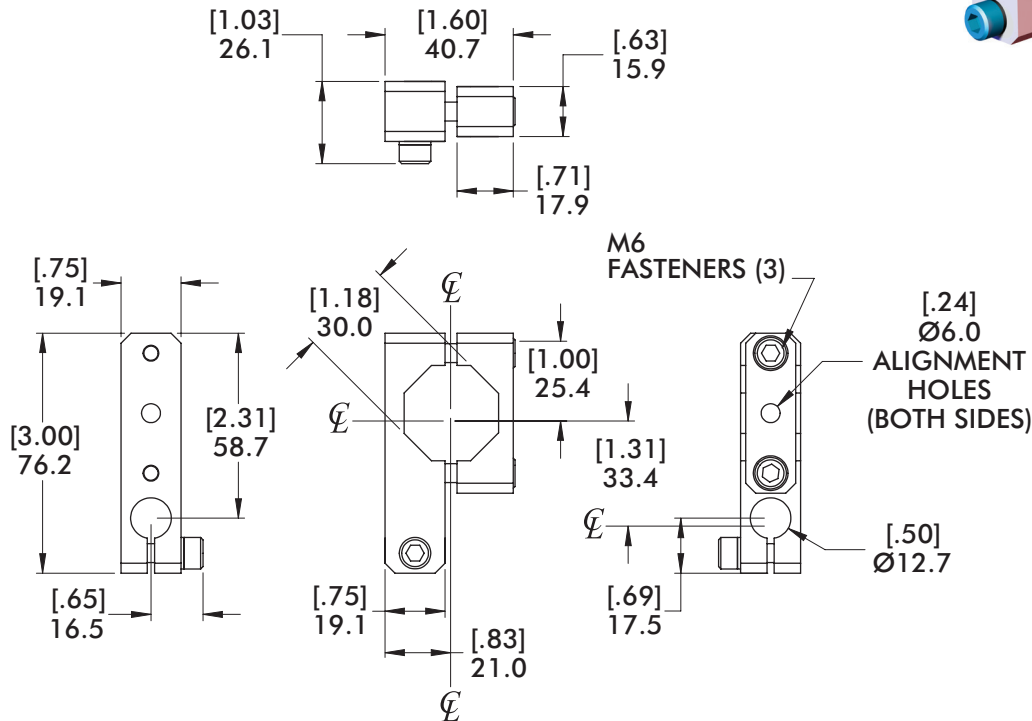
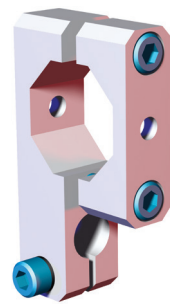
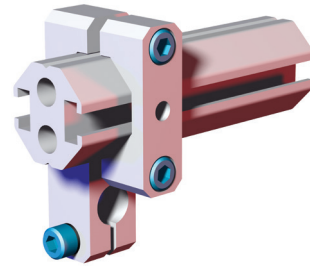
CLM-30B-50 30mm Octagon to Ø50"(in) Round Transition Bracket Assembly

Features:

- Connects BodyBuilder™ extrusion and round tubing perpendicular to each other.
- Lightweight, high-strength aluminum design.

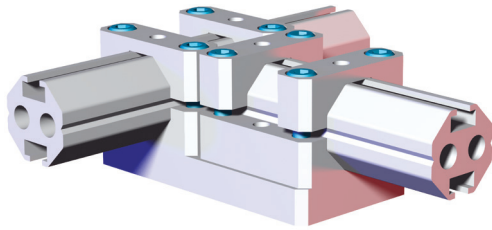
Specifications:

Max. Static Clamp Load:
102 Nm [75 ft-lb]
Material: Aluminum



| Model Number | Weight |
|-------------------|------------------|
| CPI-CLM-30B-50-TR | .092 kg [.20 lb] |

TCAM-30B-30B 30mm to 30mm Octagon (Micro) T-Clamp Bracket Assembly



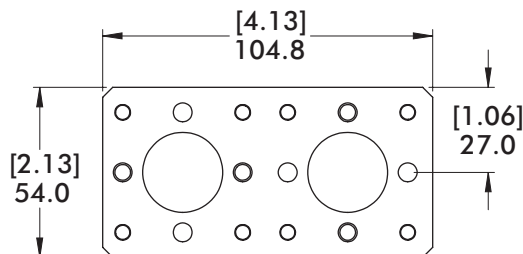
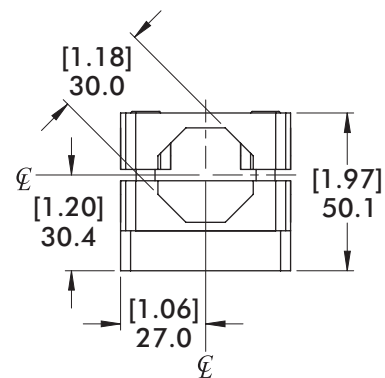
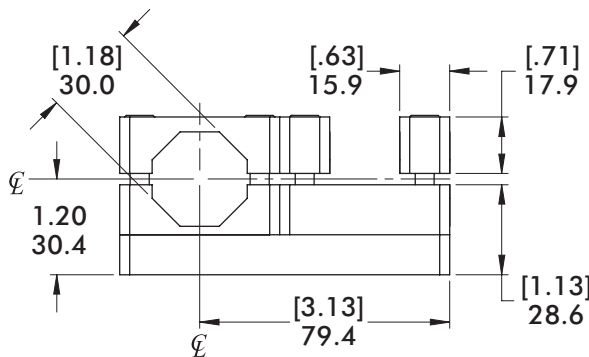
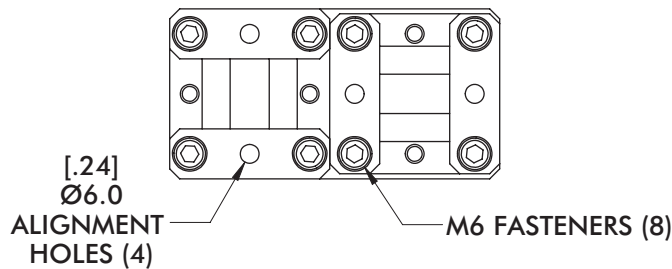
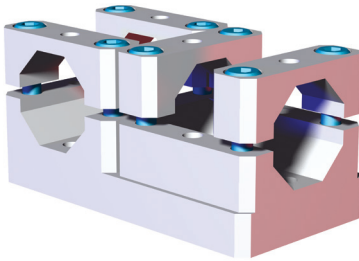
Specifications:

Max. Static Clamp Load:
102 Nm [75 ft-lb]

Material: Aluminum

Features:

- Connects (2) 30mm octagon extrusion perpendicular on the same plane.
- Lightweight, high-strength aluminum design.



| Model Number | Weight |
|--------------------|-----------------|
| CPI-TCAM-30B-30B-M | .45 kg [.99 lb] |

BODYBUILDER™ T-CLAMPS



BodyBuilder™ Octagonal Tooling | Technical Specifications, Dimensions

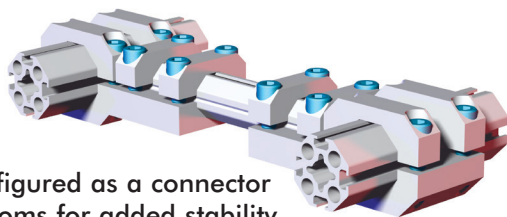
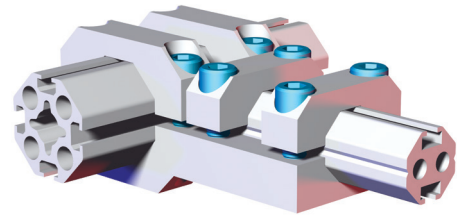
TCA-30B-45B 30mm to 45mm Octagon T-Clamp Bracket Assembly

Features:

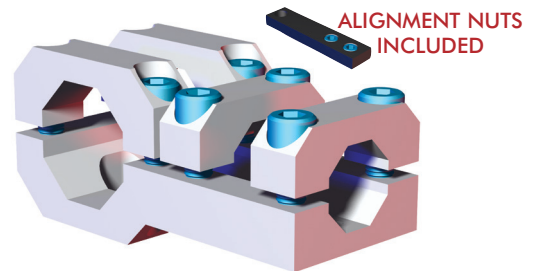
- Connects 30mm and 45mm octagon extrusion perpendicular on the same plane.
- Lightweight, high-strength aluminum design.

Specifications:

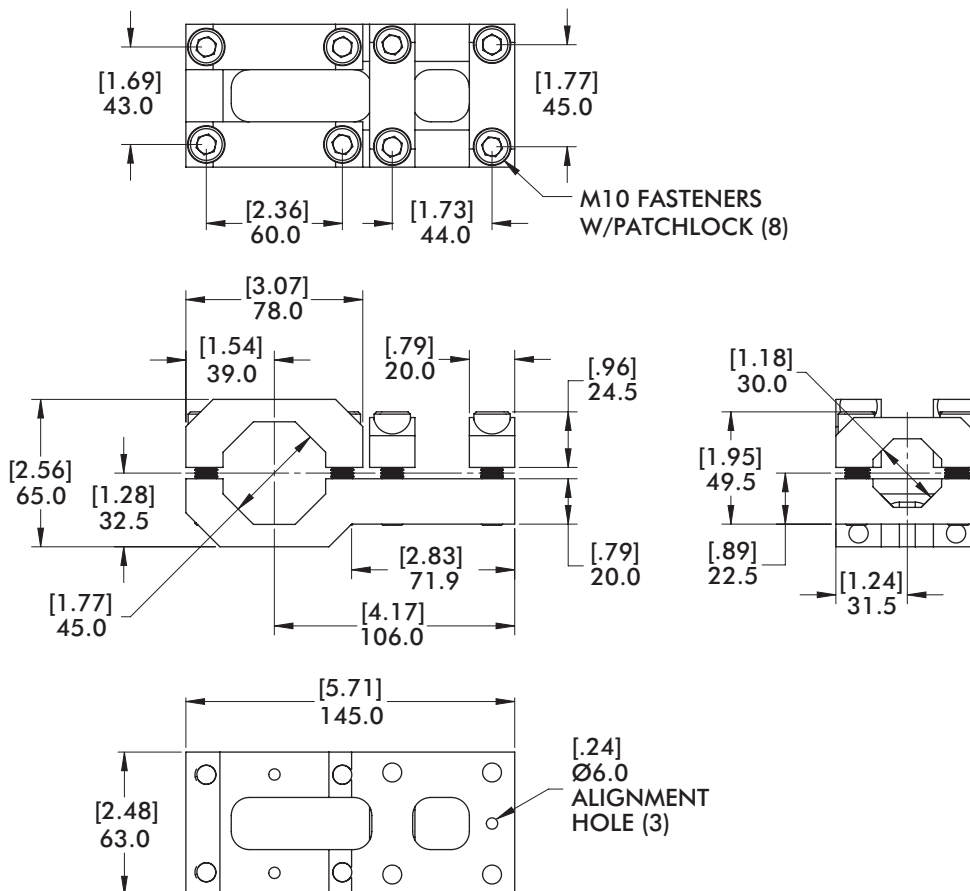
Max. Static Clamp Load:
 45mm: 475 Nm [350 ft-lb]
 30mm: 271 Nm [200 ft-lb]
Material: Aluminum



Can be configured as a connector between booms for added stability

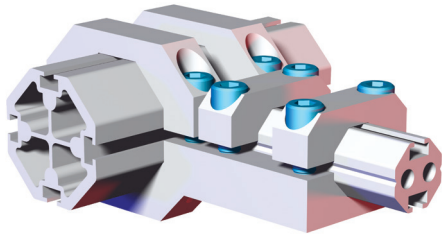


ALIGNMENT NUTS INCLUDED



| Model Number | Weight |
|-----------------|------------------|
| CPI-TCA-30B-45B | .80 kg [1.76 lb] |

TCA-30B-60B 30mm to 60mm Octagon T-Clamp Bracket Assembly



Specifications:

Max. Static Clamp Load:

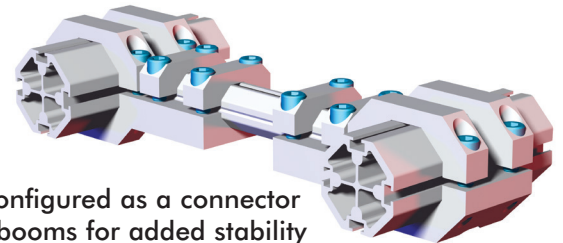
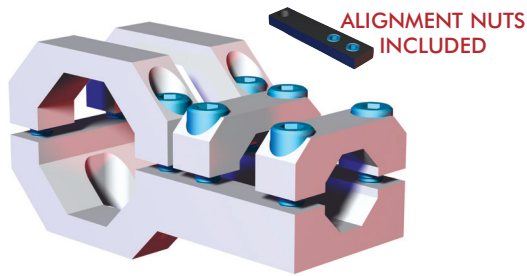
60mm: 746 Nm [550 ft-lb]

30mm: 271 Nm [200 ft-lb]

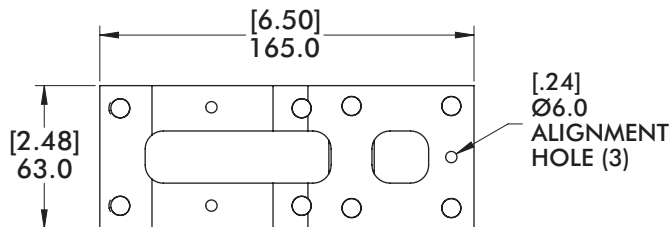
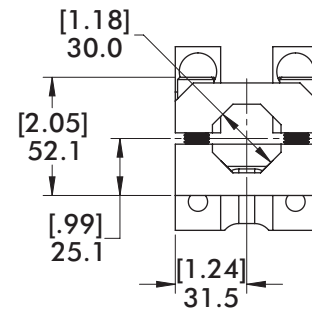
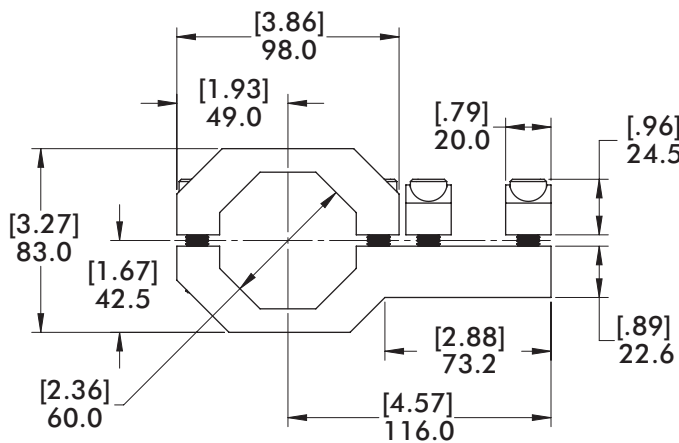
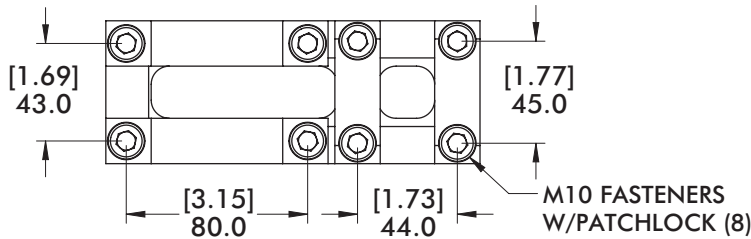
Material: Aluminum

Features:

- Connects 30mm and 60mm octagon extrusion perpendicular on the same plane.
- Lightweight, high-strength aluminum design.



Can be configured as a connector between booms for added stability



| Model Number | Weight |
|-----------------|-------------------|
| CPI-TCA-30B-60B | 1.23 kg [2.71 lb] |

BODYBUILDER™ T-CLAMPS



BodyBuilder™ Octagonal Tooling | Technical Specifications, Dimensions

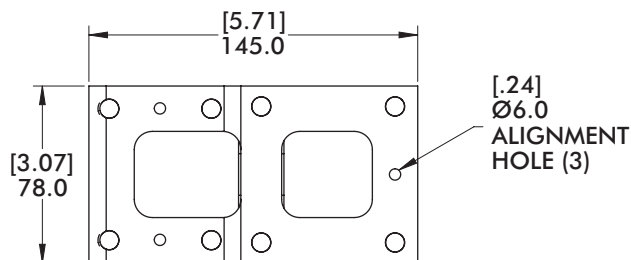
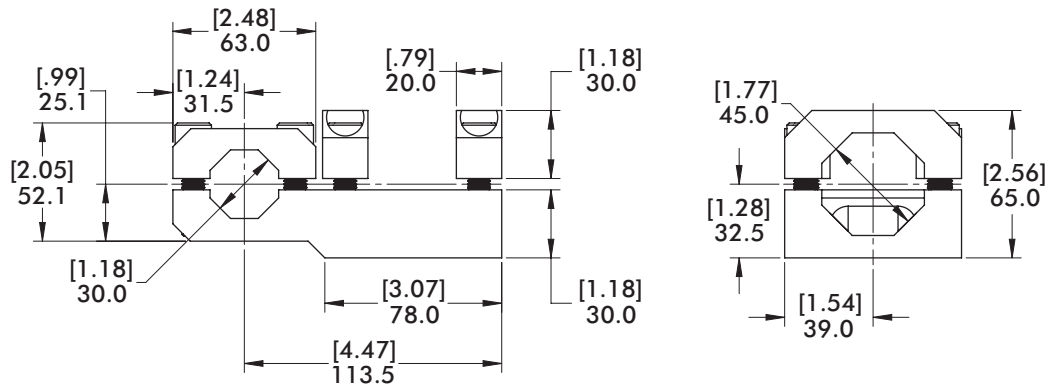
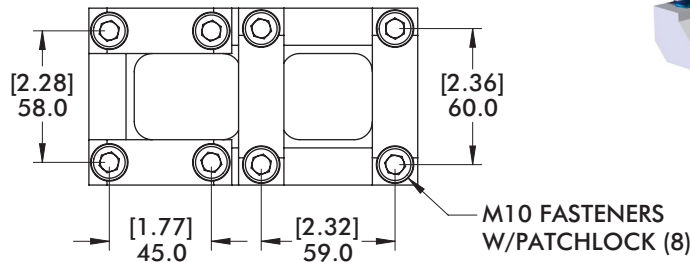
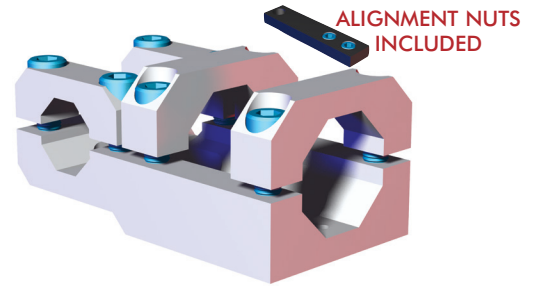
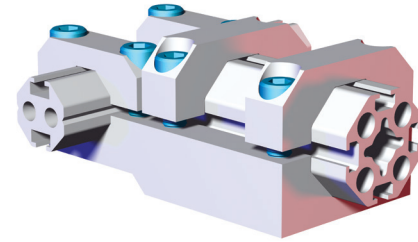
TCA-45B-30B 45mm to 30mm Octagon T-Clamp Bracket Assembly

Features:

- Connects 45mm and 30mm octagon extrusion perpendicular on the same plane.
- Lightweight, high-strength aluminum design.

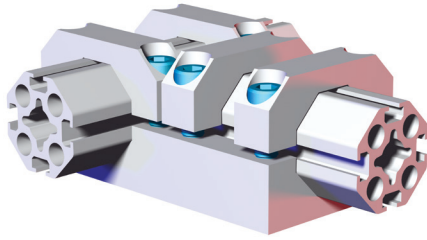
Specifications:

Max. Static Clamp Load:
 45mm: 475 Nm [350 ft-lb]
 30mm: 271 Nm [200 ft-lb]
Material: Aluminum



| Model Number | Weight |
|-----------------|------------------|
| CPI-TCA-45B-30B | .91 kg [2.02 lb] |

TCA-45B-45B 45mm to 45mm Octagon T-Clamp Bracket Assembly



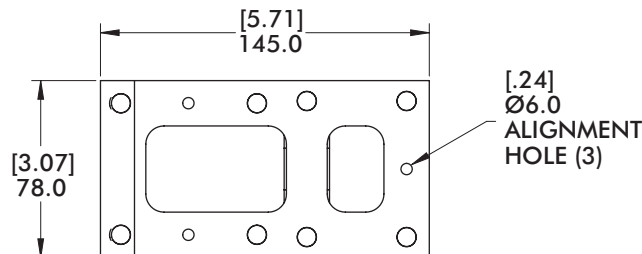
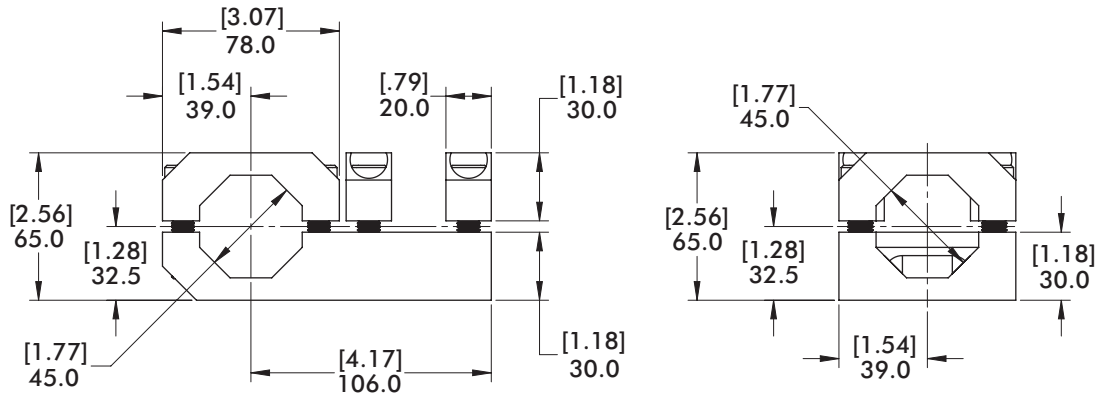
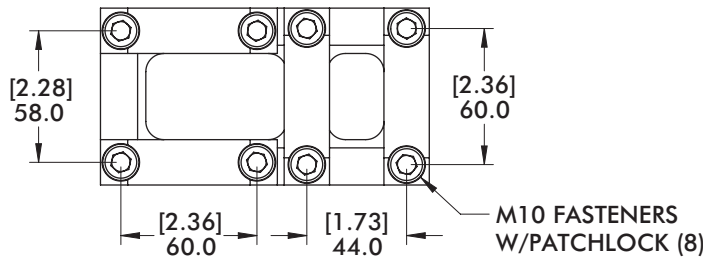
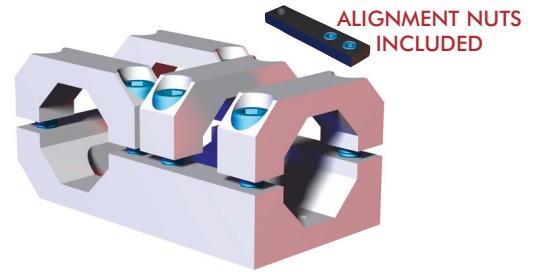
Specifications:

Max. Static Clamp Load:
45mm: 475 Nm [350 ft-lb]

Material: Aluminum

Features:

- Connects (2) 45mm octagon extrusion perpendicular on the same plane.
- Lightweight, high-strength aluminum design.



| Model Number | Weight |
|-----------------|------------------|
| CPI-TCA-45B-45B | .95 kg [2.09 lb] |

BODYBUILDER™ T-CLAMPS



BodyBuilder™ Octagonal Tooling | Technical Specifications, Dimensions

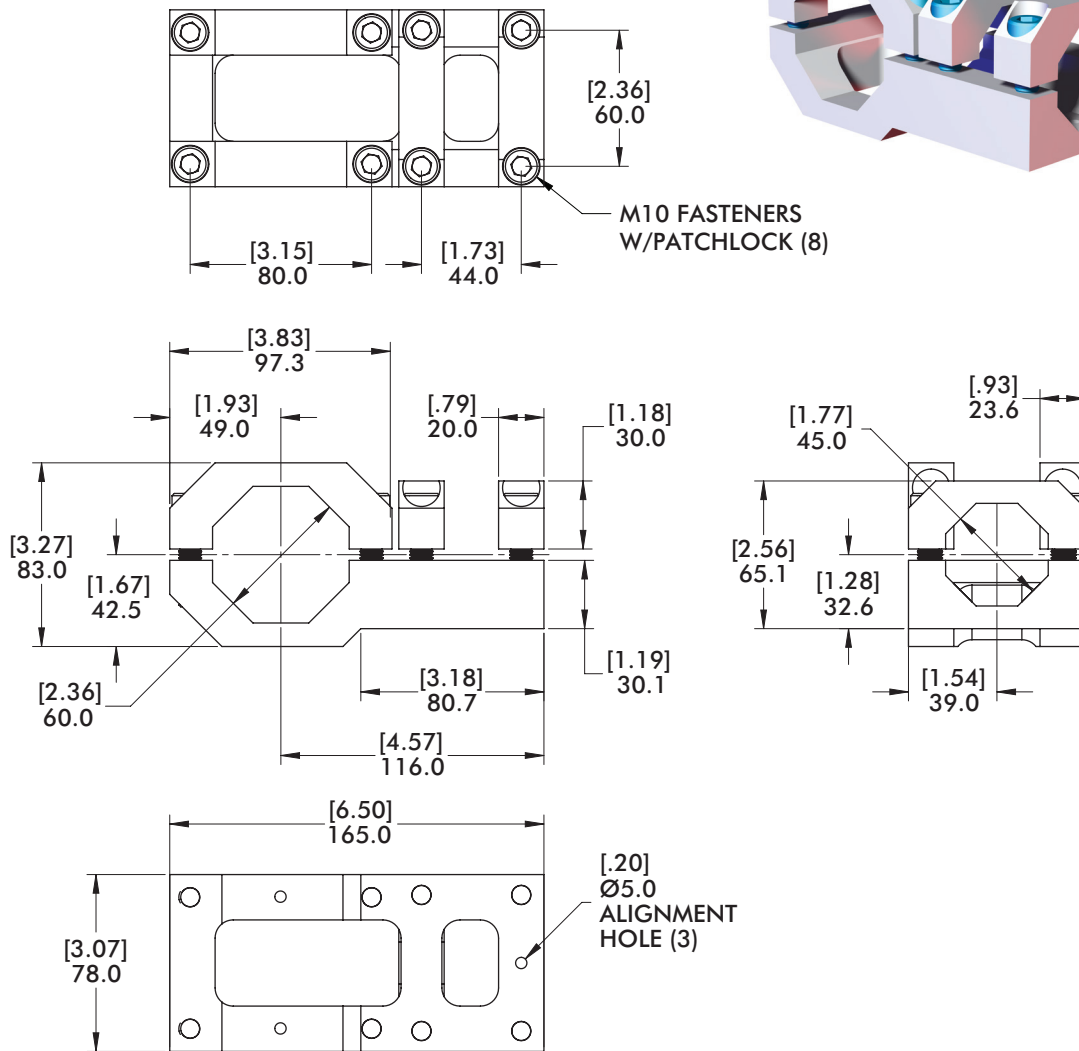
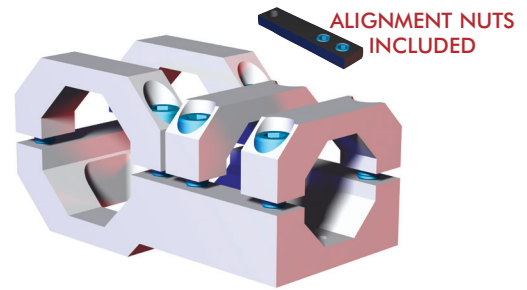
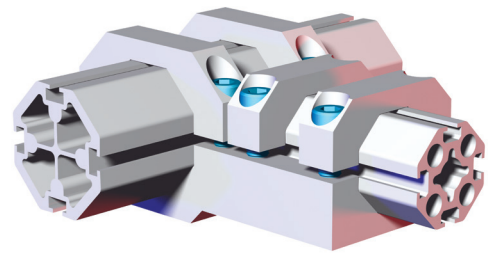
TCA-45B-60B 45mm to 60mm Octagon T-Clamp Bracket Assembly

Features:

- Connects 45mm and 60mm octagon extrusion perpendicular on the same plane.
- Lightweight, high-strength aluminum design.

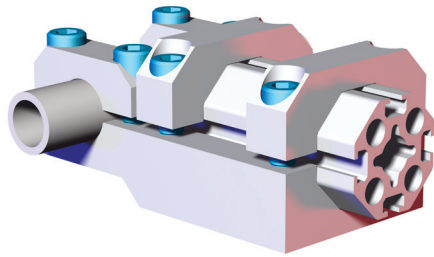
Specifications:

Max. Static Clamp Load:
 60mm: 746 Nm [550 ft-lb]
 45mm: 475 Nm [350 ft-lb]
Material: Aluminum



| Model Number | Weight |
|-----------------|------------------|
| CPI-TCA-45B-60B | 1.21 kg [2.67lb] |

TCA-45B-25M 45mm Octagon to 25mm Round T-Clamp Bracket Assembly

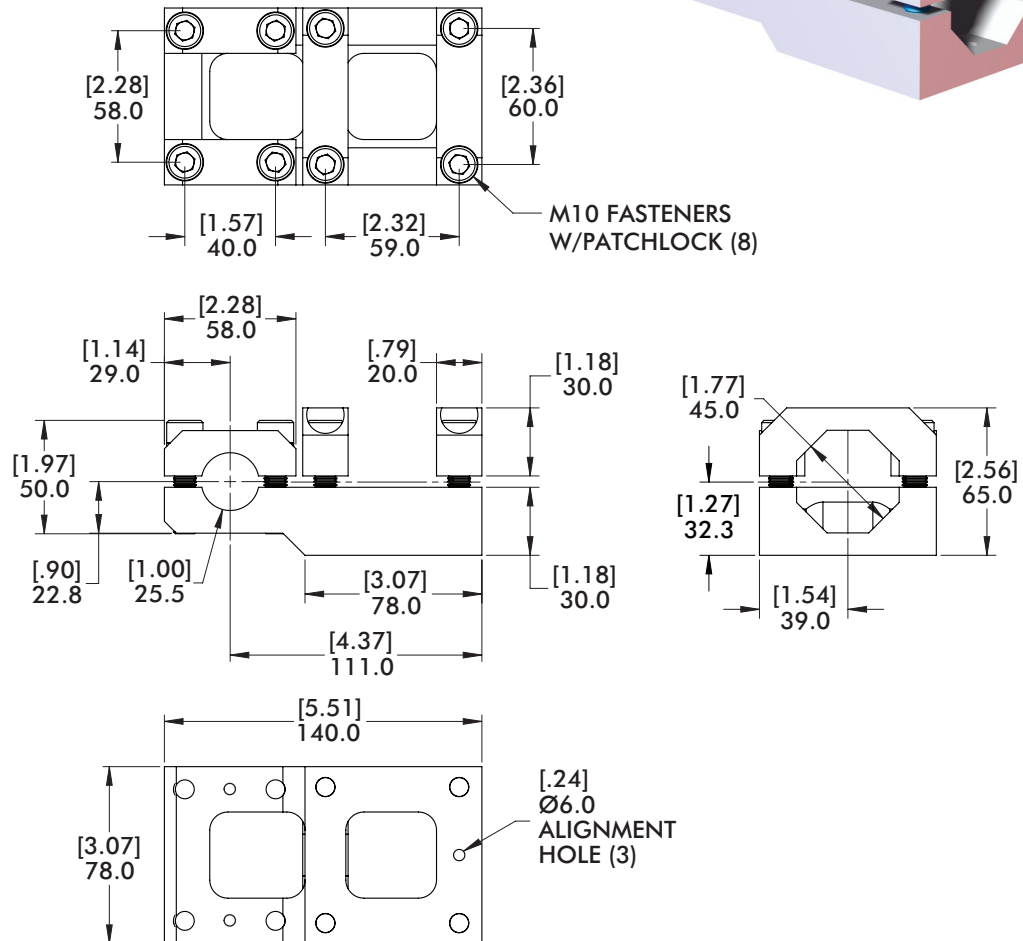
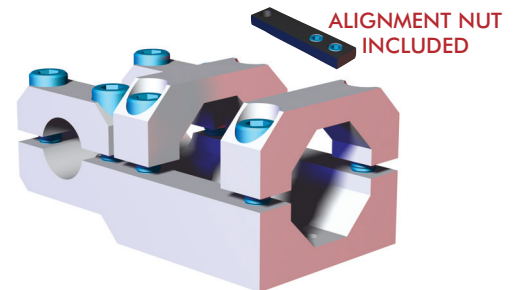


Specifications:

Max. Static Clamp Load:
 45mm: 475 Nm [350 ft-lb]
 25mm: 271 Nm [200 ft-lb]
Material: Aluminum

Features:

- Connects 45mm octagon and 25mm round perpendicular on the same plane.
- Lightweight, high-strength aluminum design.



| Model Number | Weight |
|-----------------|-----------------|
| CPI-TCA-45B-25M | .89 kg [1.97lb] |

BODYBUILDER™ T-CLAMPS



BodyBuilder™ Octagonal Tooling | Technical Specifications, Dimensions

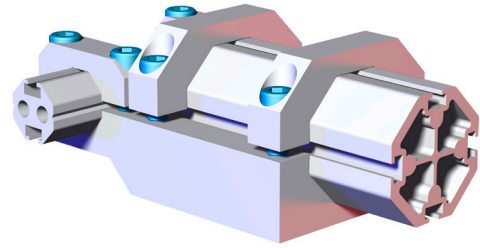
TCA-60B-30B 60mm to 30mm octagon T-Clamp Bracket Assembly

Features:

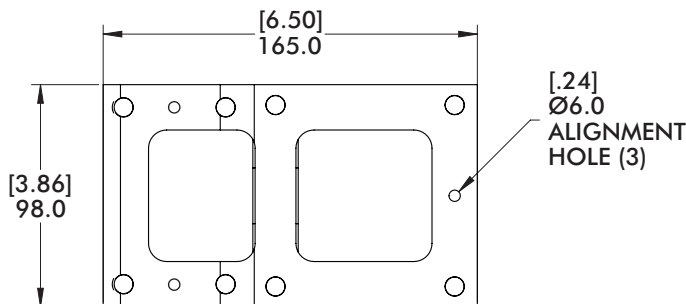
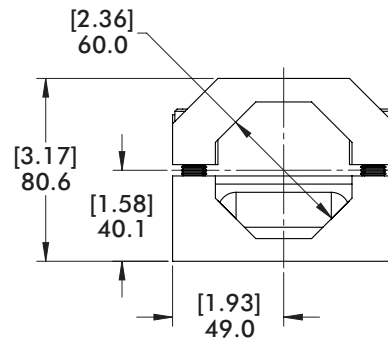
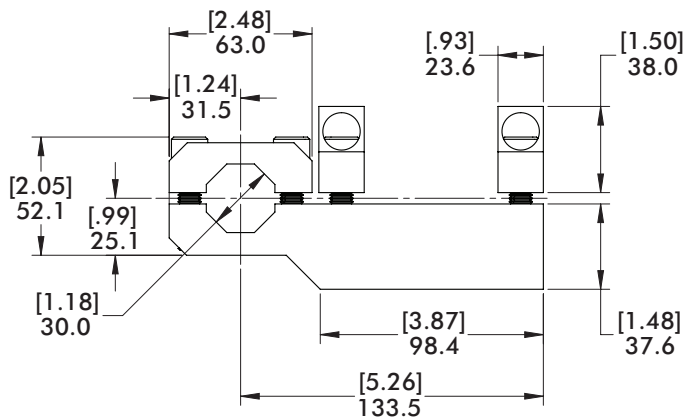
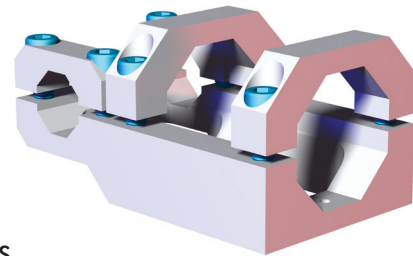
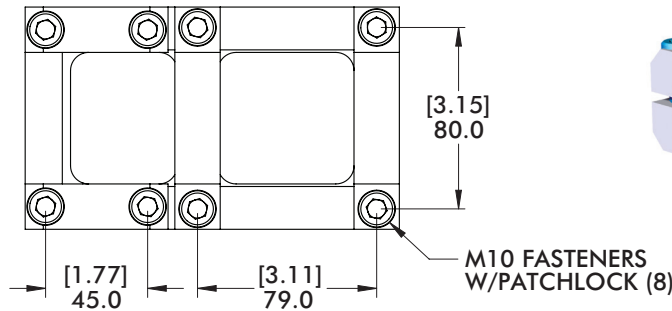
- Connects 60mm and 30mm octagon extrusion perpendicular on the same plane.
- Lightweight, high-strength aluminum design.

Specifications:

Max. Static Clamp Load:
 60mm: 746 Nm [550 ft-lb]
 30mm: 271 Nm [200 ft-lb]
Material: Aluminum

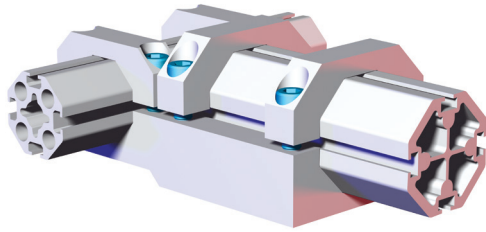


ALIGNMENT NUTS INCLUDED



| Model Number | Weight |
|-----------------|-------------------|
| CPI-TCA-60B-30B | 1.32 kg [2.91 lb] |

TCA-60B-45B 60mm to 45mm octagon T-Clamp Bracket Assembly



Specifications:

Max. Static Clamp Load:

60mm: 746 Nm [550 ft-lb]

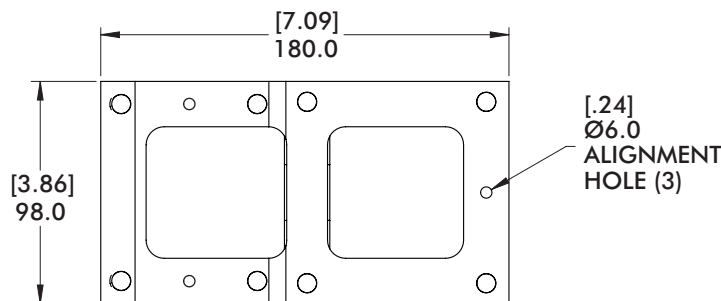
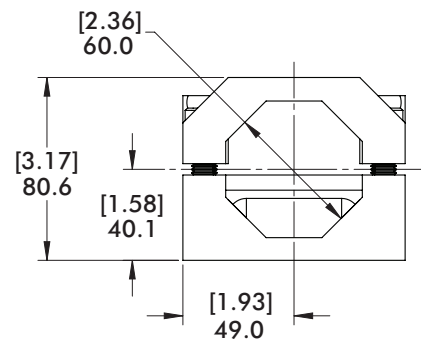
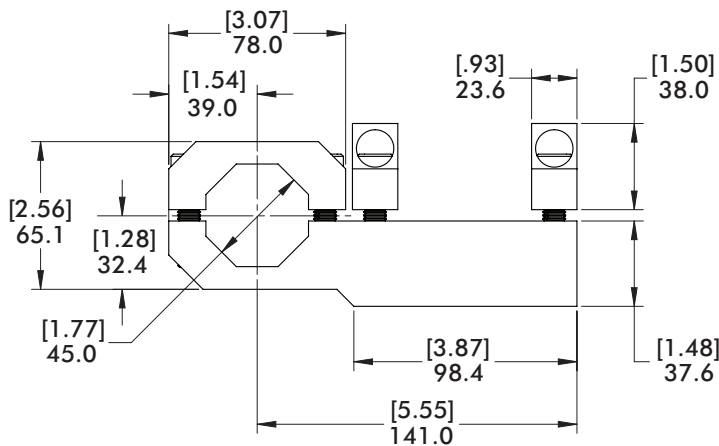
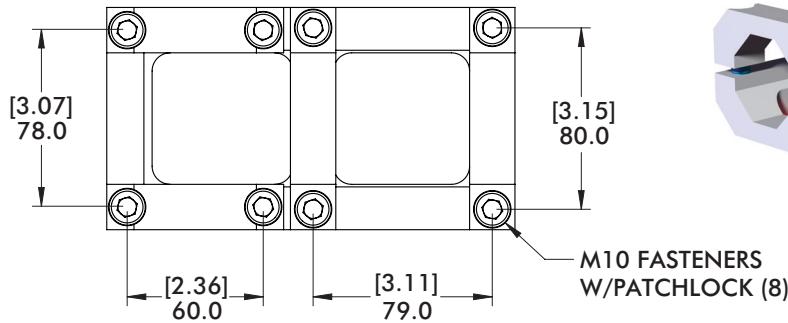
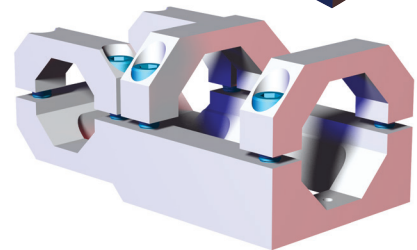
45mm: 475 Nm [350 ft-lb]

Material: Aluminum

Features:

- Connects 60mm and 45mm octagon extrusion perpendicular on the same plane.
- Lightweight, high-strength aluminum design.

ALIGNMENT NUTS INCLUDED



| Model Number | Weight |
|-----------------|-------------------|
| CPI-TCA-60B-45B | 1.45 kg [3.20 lb] |

BODYBUILDER™ T-CLAMPS



BodyBuilder™ Octagonal Tooling | Technical Specifications, Dimensions

TCA-60B-60B 60mm to 60mm octagon T-Clamp Bracket Assembly

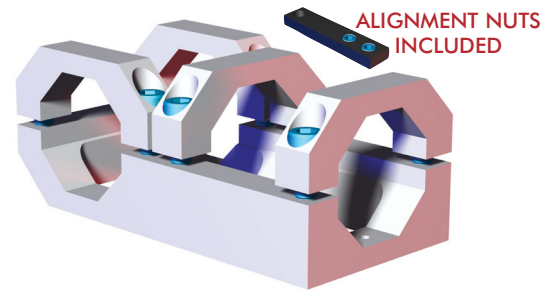
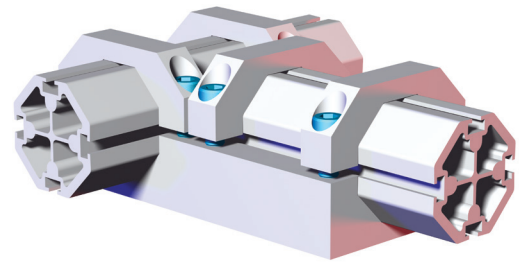
Features:

- Connects (2) 60mm octagon extrusions perpendicular on the same plane.
- Lightweight, high-strength aluminum design.

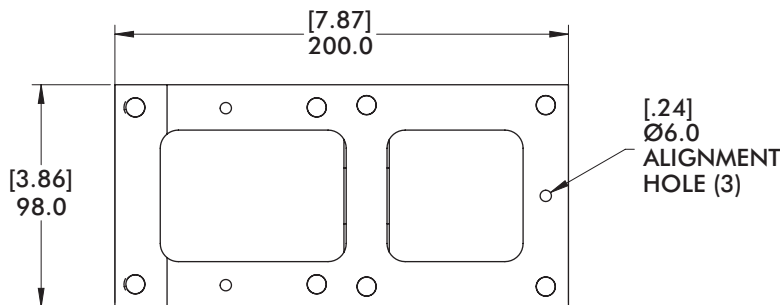
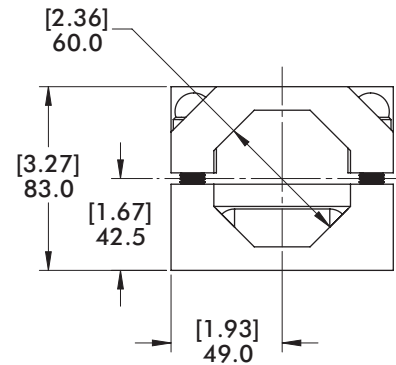
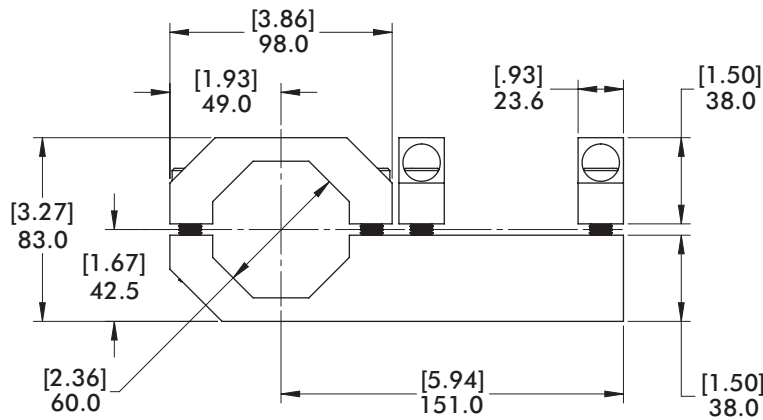
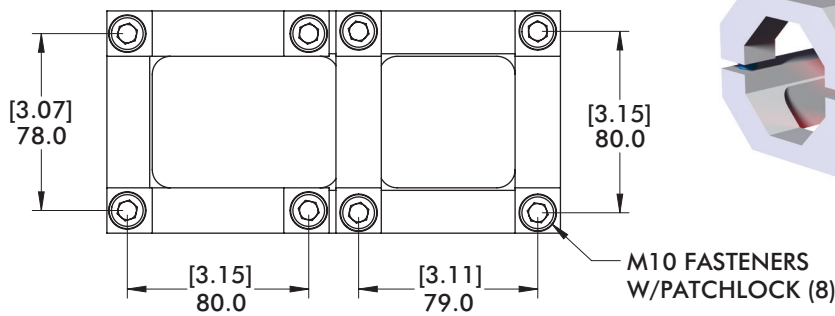
Specifications:

Max. Static Clamp Load:
60mm: 746 Nm [550 ft-lb]

Material: Aluminum

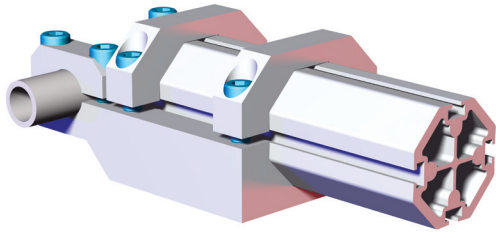


ALIGNMENT NUTS INCLUDED



| Model Number | Weight |
|-----------------|-------------------|
| CPI-TCA-60B-60B | 1.77 kg [3.90 lb] |

TCA-60B-25M 60mm Octagon to 25mm Round T-Clamp Bracket Assembly

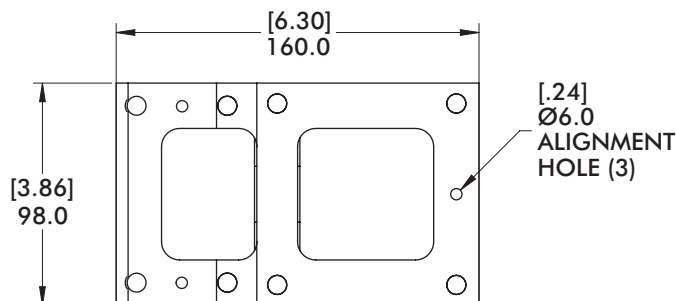
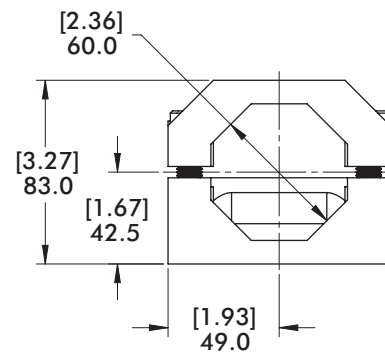
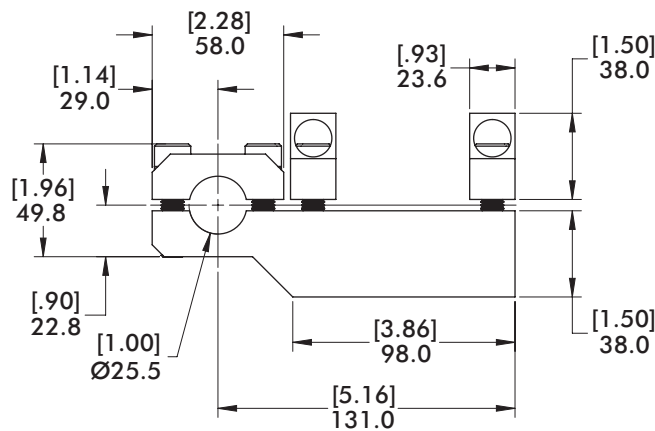
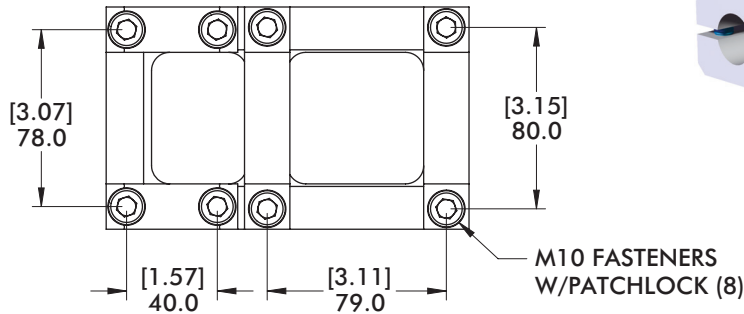
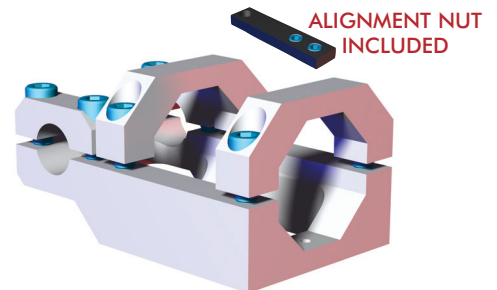


Specifications:

Max. Static Clamp Load:
 60mm: 746 Nm [550 ft-lb]
 30mm: 271 Nm [200 ft-lb]
Material: Aluminum

Features:

- Connects 60mm octagon and 25mm round perpendicular on the same plane.
- Lightweight, high-strength aluminum design.



| Model Number | Weight |
|-----------------|-------------------|
| CPI-TCA-60B-25M | 1.25 kg [2.76 lb] |

BODYBUILDER™ T-CLAMPS



BodyBuilder™ Octagonal Tooling | Technical Specifications, Dimensions

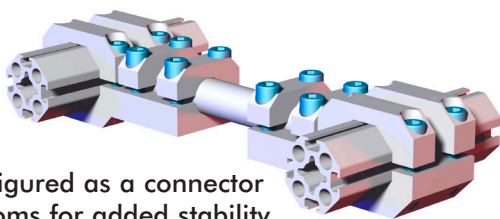
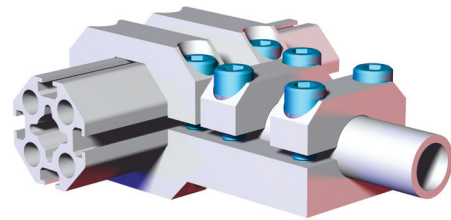
TCA-25M-45B 25mm Round to 45mm Octagon T-Clamp Brackets Assembly

Features:

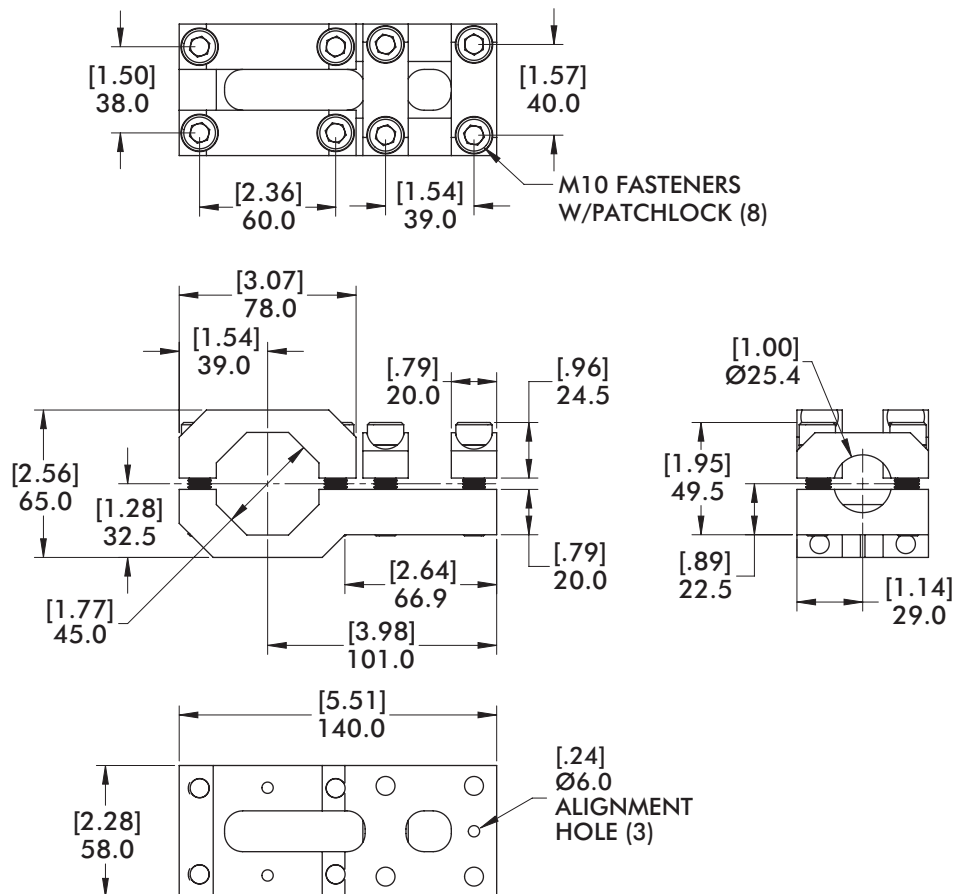
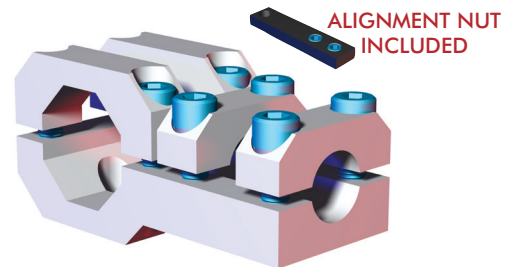
- Connects 25mm round and 45mm octagon perpendicular on the same plane.
- Lightweight, high-strength aluminum design.

Specifications:

Max. Static Clamp Load:
 45mm: 475 Nm [350 ft-lb]
 25mm: 271 Nm [200 ft-lb]
Material: Aluminum

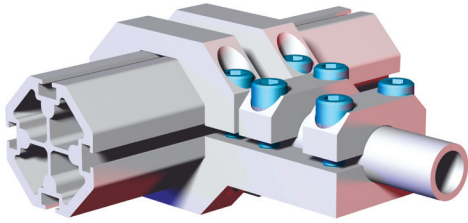


Can be configured as a connector between booms for added stability



| Model Number | Weight |
|-----------------|------------------|
| CPI-TCA-25M-45B | .57 kg [1.26 lb] |

TCA-25M-60B 25mm Round to 60mm Octagon T-Clamp Bracket Assembly

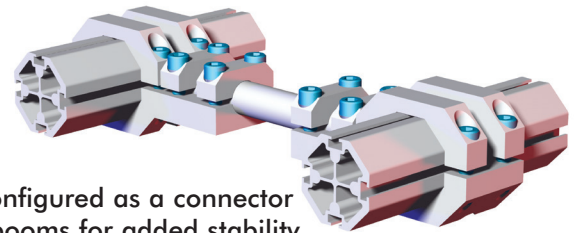
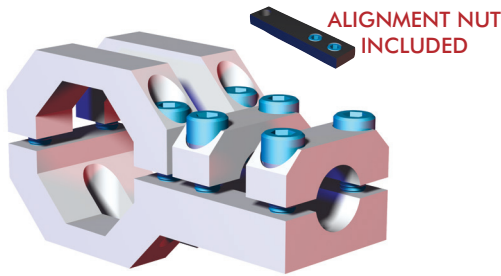


Specifications:

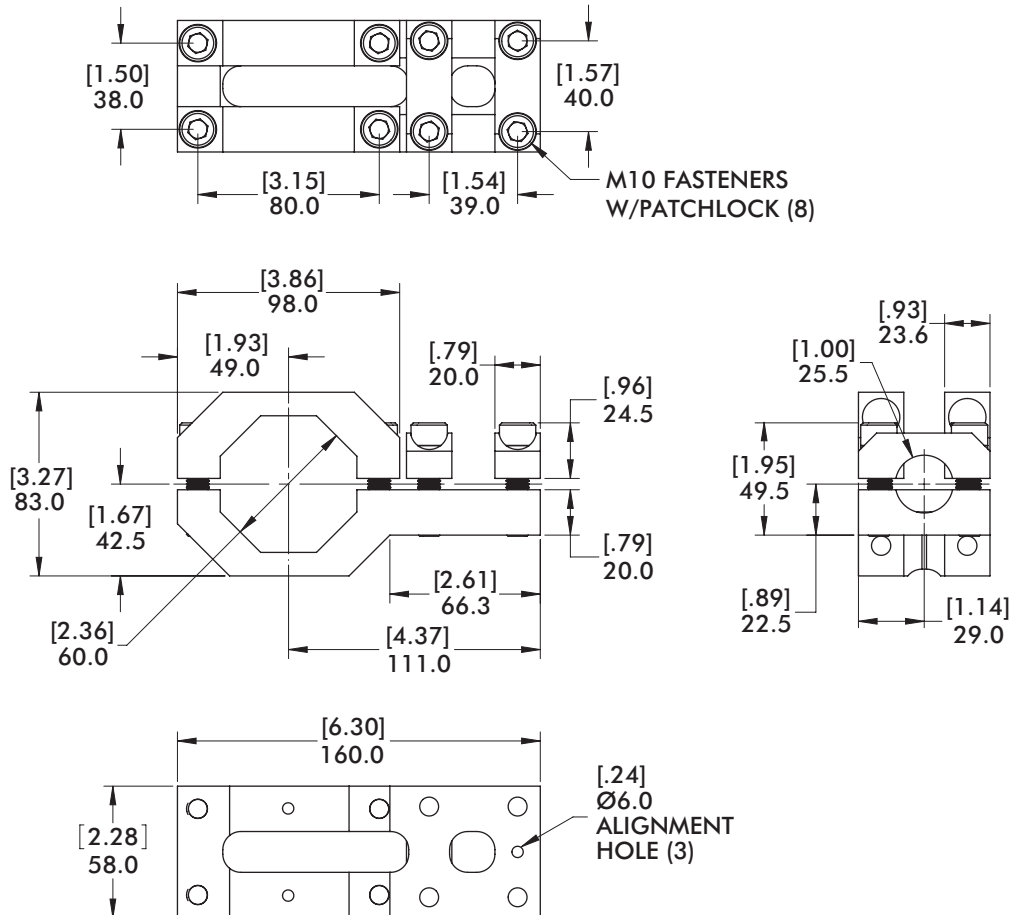
Max. Static Clamp Load:
 60mm: 746 Nm [550 ft-lb]
 25mm: 271 Nm [200 ft-lb]
Material: Aluminum

Features:

- Connects 25mm round and 60mm octagon perpendicular on the same plane.
- Lightweight, high-strength aluminum design.



Can be configured as a connector between booms for added stability



| Model Number | Weight |
|-----------------|------------------|
| CPI-TCA-25M-60B | .85 kg [1.87 lb] |

BODYBUILDER™ ELBOWS

BodyBuilder™ Octagonal Tooling | Technical Specifications, Dimensions



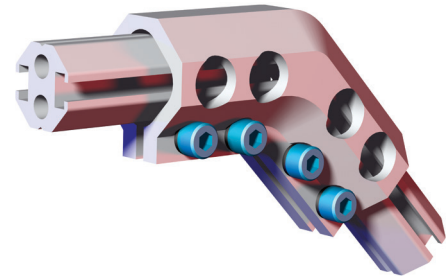
45° Angular Boom Clamp Brackets

Features:

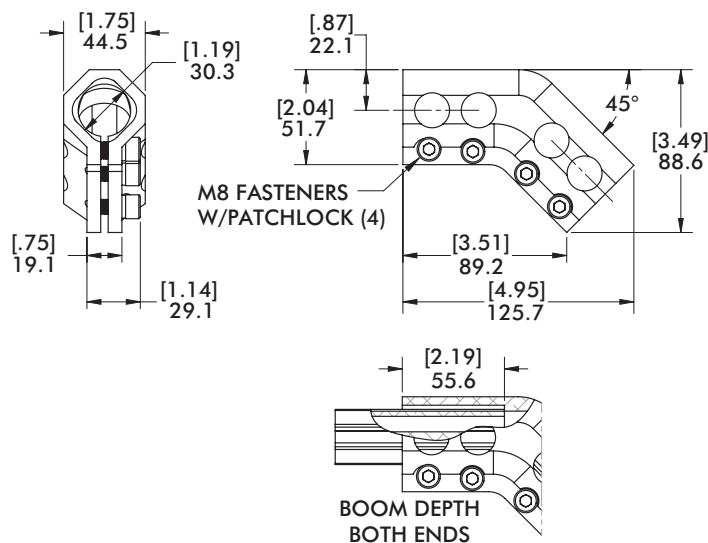
- Mounts (2) Bodybuilder extrusion booms inline at a 45° angle.

Specifications:

Material: Aluminum

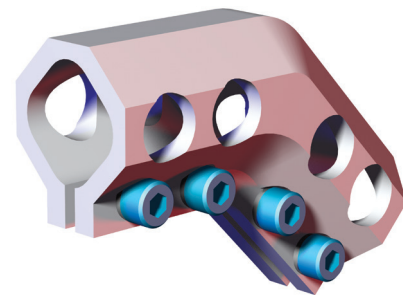


DC-3030B-45 30mm to 30mm 45° External Boom Clamp Brackets



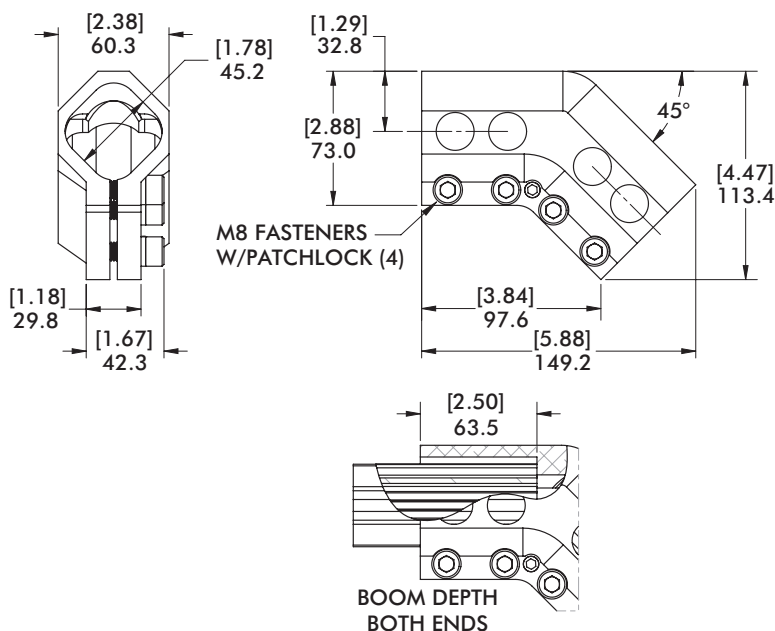
Specifications:

Max. Static Clamp Load:
271Nm [200 ft-lb]



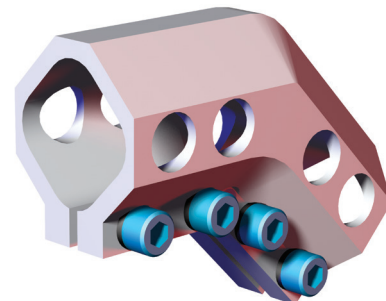
| Model Number | Weight |
|-----------------|-----------------|
| CPI-DC-3030B-45 | .30 kg [.66 lb] |

DC-4545B-45 45mm to 45mm 45° Angular Boom Clamp Brackets



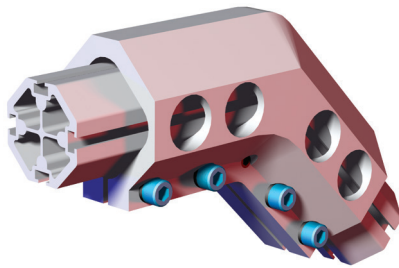
Specifications:

Max. Static Clamp Load:
475 Nm [350 ft-lb]



| Model Number | Weight |
|-----------------|-----------------|
| CPI-DC-4545B-45 | .64 kg [1.4 lb] |

DC-6060B-45 60mm to 60mm 45° Angular Boom Clamp Brackets



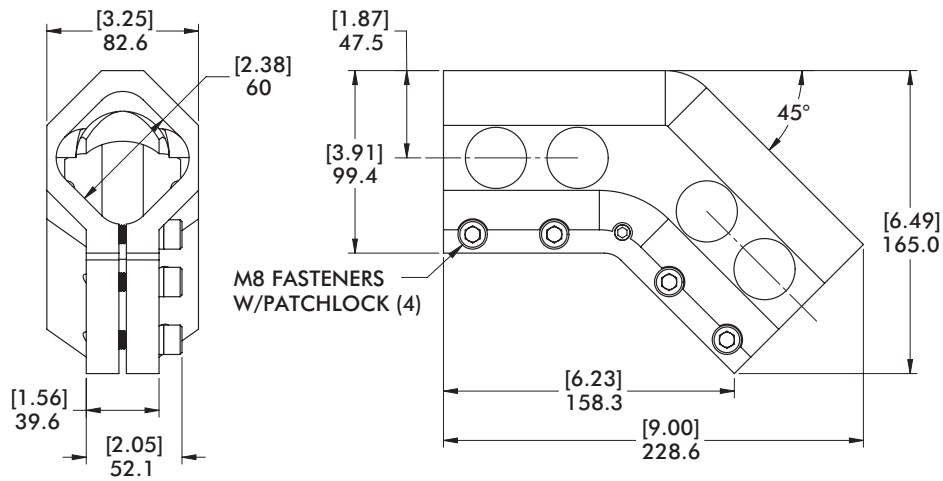
Specifications:

Max. Static Clamp Load:
746 Nm [550 ft-lb]

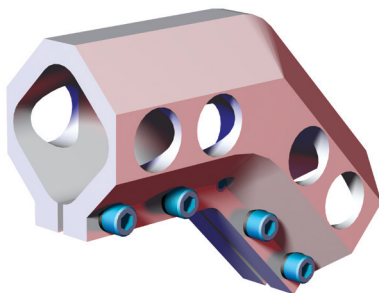
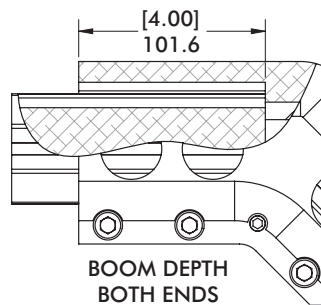
Material: Aluminum

Features:

- Mounts (2) Bodybuilder extrusion booms inline at a 45° angle.



M8 FASTENERS
W/PATCHLOCK (4)



| Model Number | Weight |
|-----------------|------------------|
| CPI-DC-6060B-45 | 1.74 kg [3.8 lb] |

BODYBUILDER™ MID FLANGE CLAMPS



BodyBuilder™ Octagonal Tooling | Technical Specifications, Dimensions

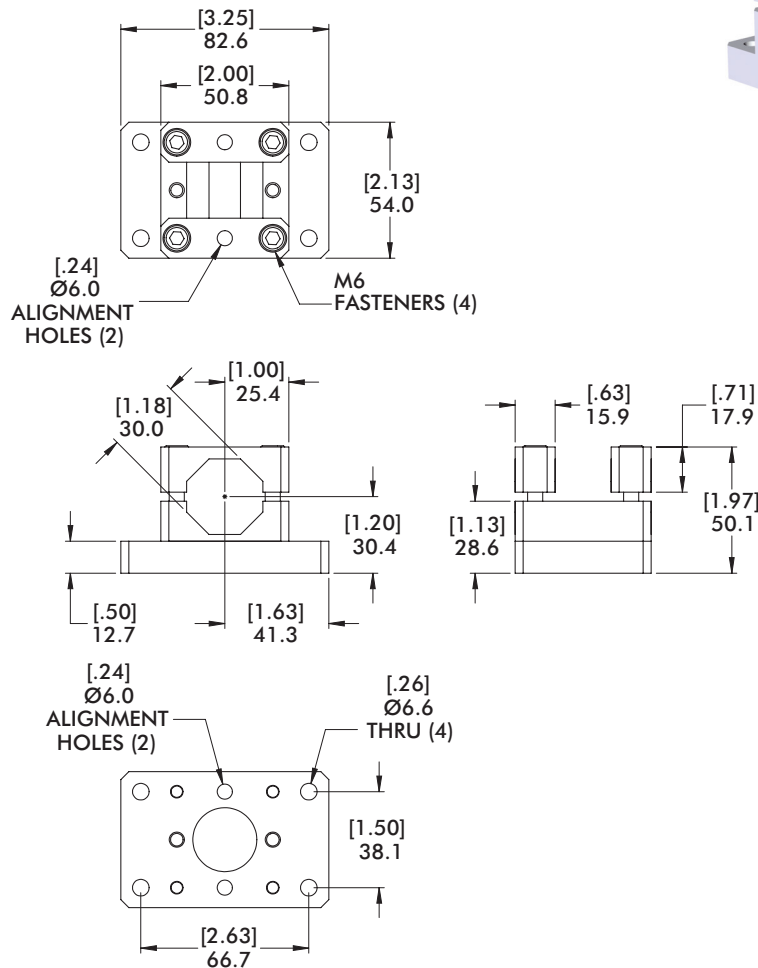
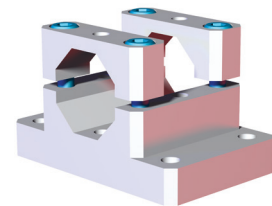
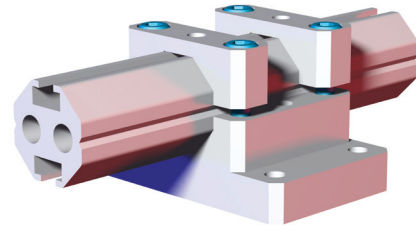
CLM-30B-152F-90 30mm Mid Flange Clamp Mount

Features:

- Mounts 30mm extrusion parallel to the mounting surface.
- Can be used as robot interface when quick-change connector is not required.

Specifications:

Max. Static Clamp Load:
102 Nm [75 ft-lb]
Material: Cast Aluminum



Model Number

Weight

CPI-CLM-30B-152F-90

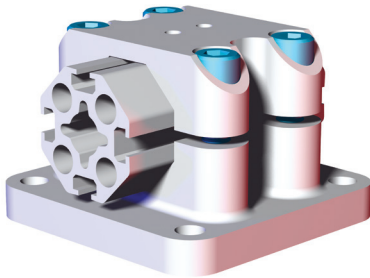
0.28 kg [.61 lb]



EE-BBR-63

Dimensions and technical information are subject to change without notice

TBC-45 45mm Mid Flange Clamp Mount



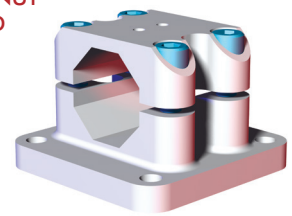
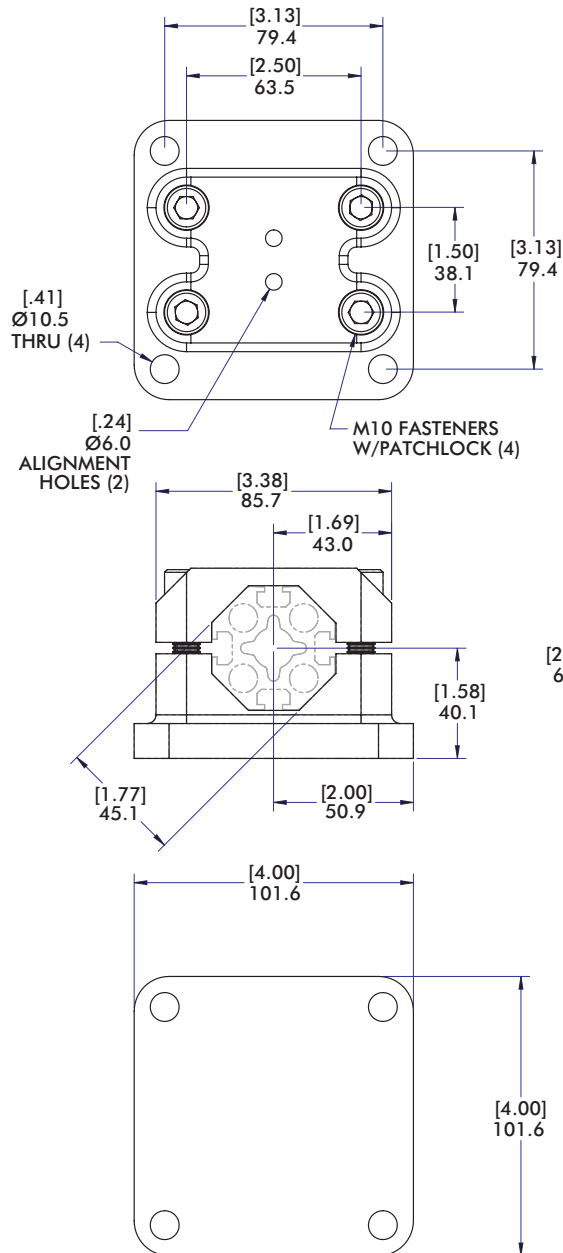
Specifications:

Max. Static Clamp Load:
475 Nm [350 ft-lb]

Material: Aluminum

Features:

- Mounts 45mm extrusion parallel to the mounting surface.
- Can be used as robot interface when quick-change connector is not required.



| Model Number | Weight |
|--------------|-------------------|
| TBC-45-00 | 0.79 kg [1.74 lb] |

BODYBUILDER™ MID FLANGE CLAMPS

BodyBuilder™ Octagonal Tooling | Technical Specifications, Dimensions



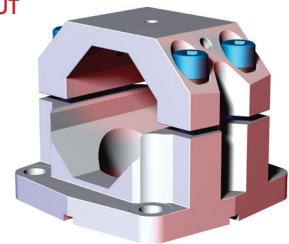
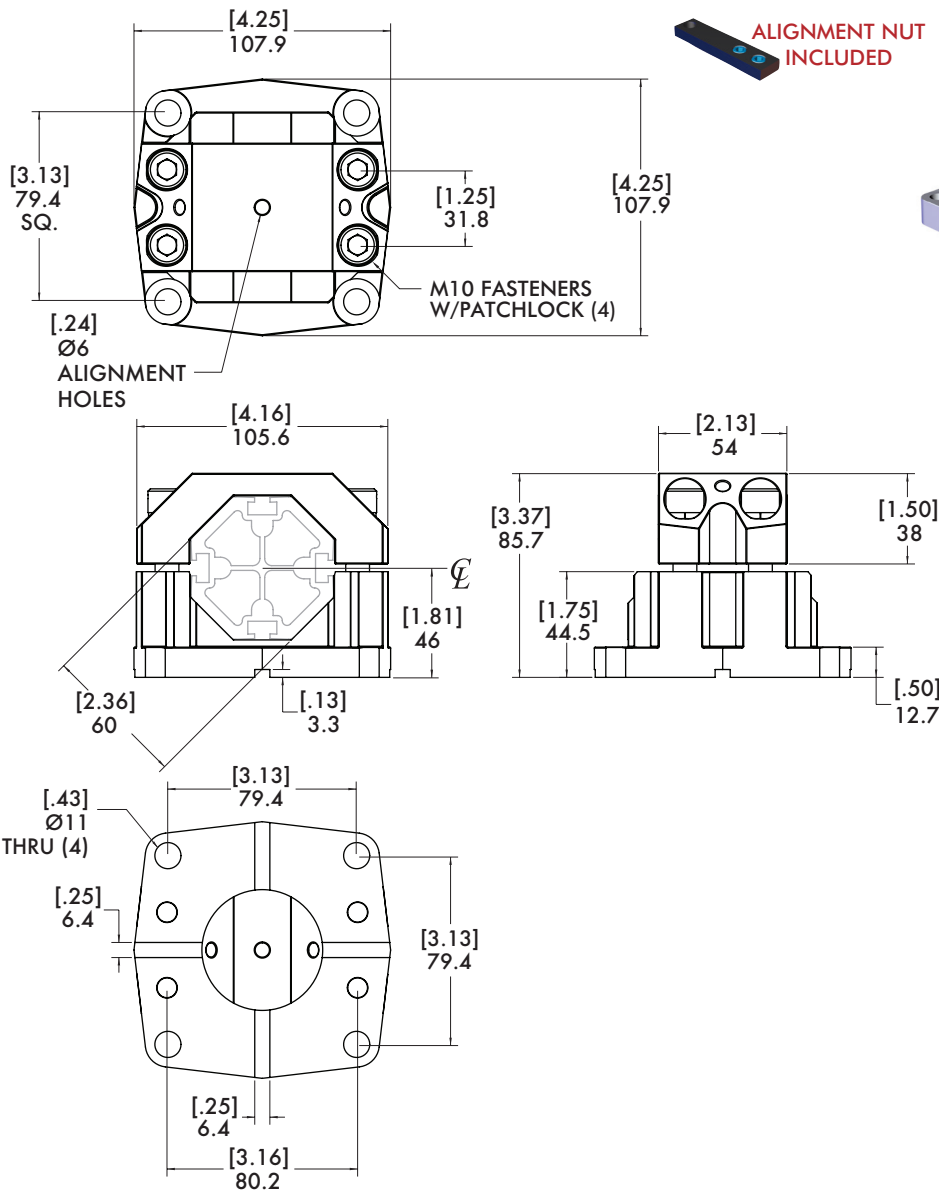
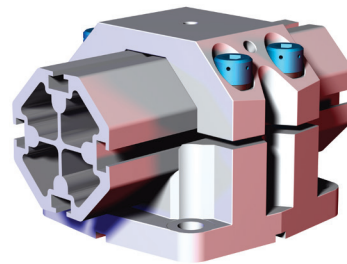
TBC-60 60mm Mid Flange Clamp Mount

Features:

- Mounts 60mm extrusion parallel to the mounting surface.
- Can be used to mount to robot with an interface plate.
- Cross-key design provides added strength for high-torque applications when used in conjunction with a slot and key mechanism.

Specifications:

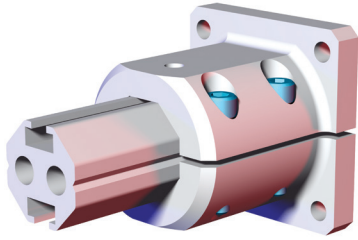
Max. Static Clamp Load:
746 Nm [550 ft-lb]
Material: Cast Aluminum



Cross Key sold separately: (2) x 540-25388

| Model Number | Weight |
|--------------|-------------------|
| TBC-60-00 | 0.92 kg [2.02 lb] |

CLM-30B-20F 30mm End Flange Clamp Mount



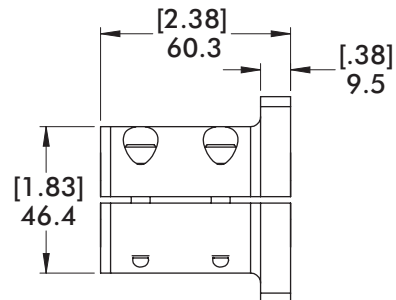
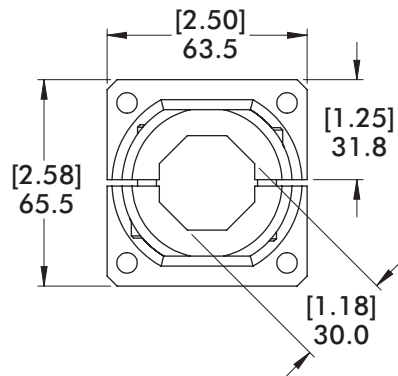
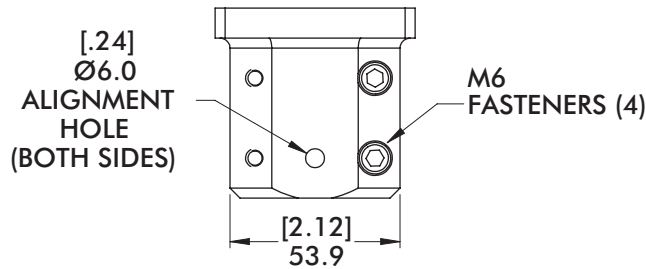
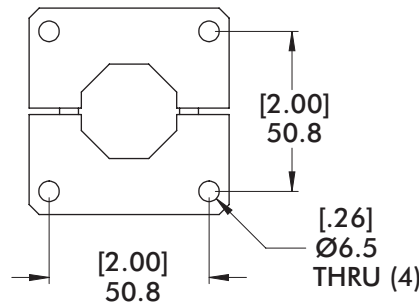
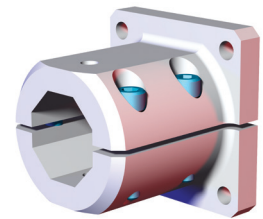
Specifications:

Max. Static Clamp Load:
102 Nm [75 ft-lb]

Material: Aluminum

Features:

- Mounts 30mm extrusion 90° to the mounting surface.
- Can be used as robot interface when quick-change connector is not required.



| Model Number | Weight |
|-----------------|-----------------|
| CPI-CLM-30B-20F | .29 kg [.64 lb] |

BODYBUILDER™ END FLANGE CLAMPS

BodyBuilder™ Octagonal Tooling | Technical Specifications, Dimensions



BECC-60 60mm End Flange Clamp Mount

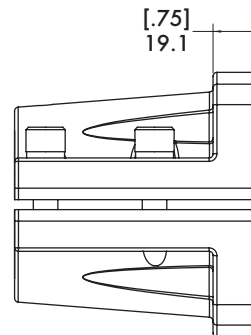
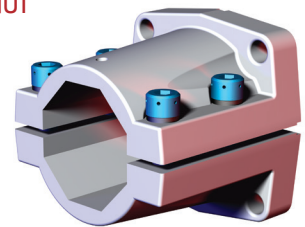
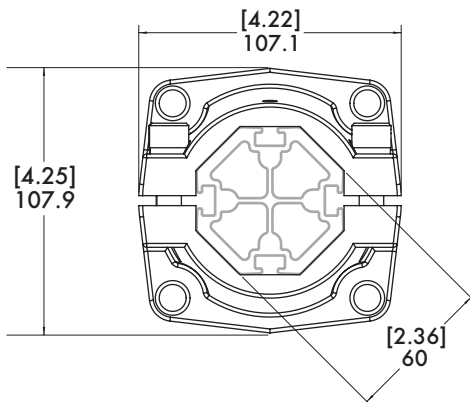
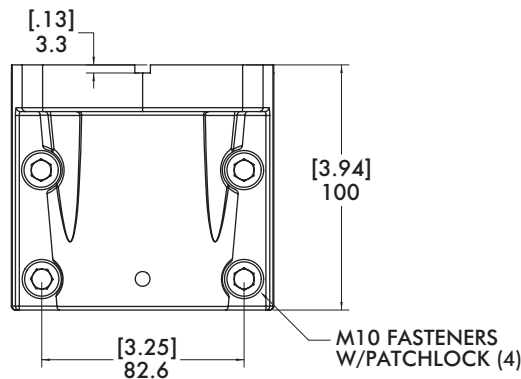
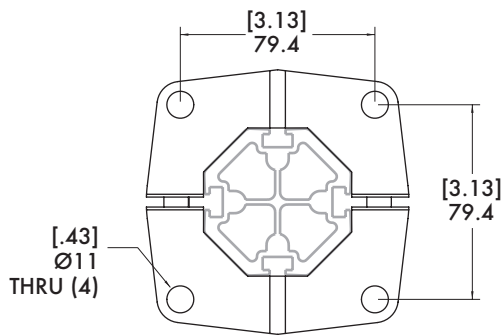
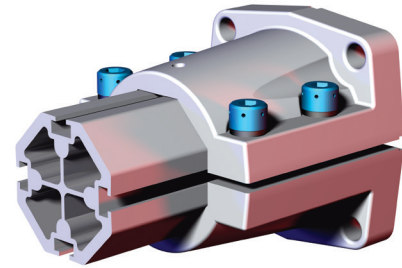
Features:

- Mounts 60mm extrusion 90° to the mounting surface.
- Can be used as robot interface when quick-change connector is not required.
- Cross-key design provides added strength for high-torque applications when used in conjunction with a slot and key mechanism.

Specifications:

Max. Static Clamp Load:
746 Nm [550 ft-lb]

Material: Cast Aluminum



Cross Key sold separately: (2) x 540-25388

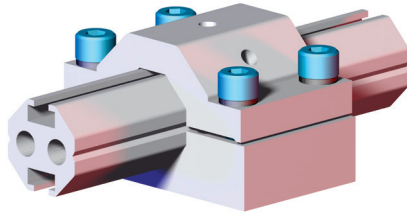
| Model Number | Weight |
|--------------|-------------------|
| BECC-60-00 | 1.21 kg [2.67 lb] |



EE-BBR-67

Dimensions and technical information are subject to change without notice

TPM-30 30mm Accessory Mounting Bracket



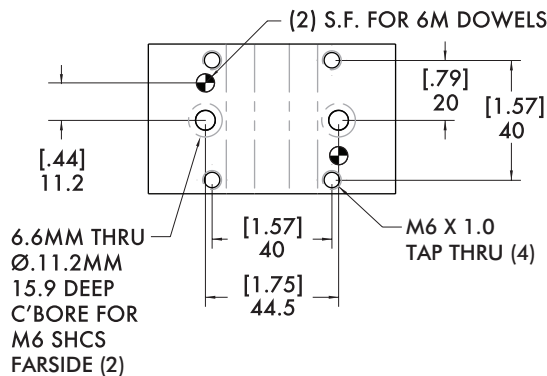
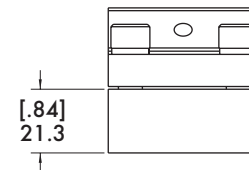
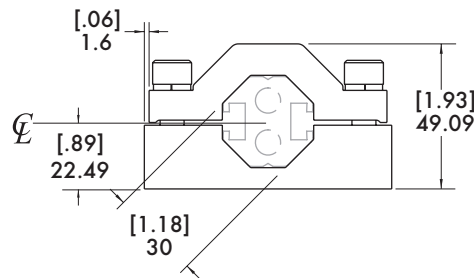
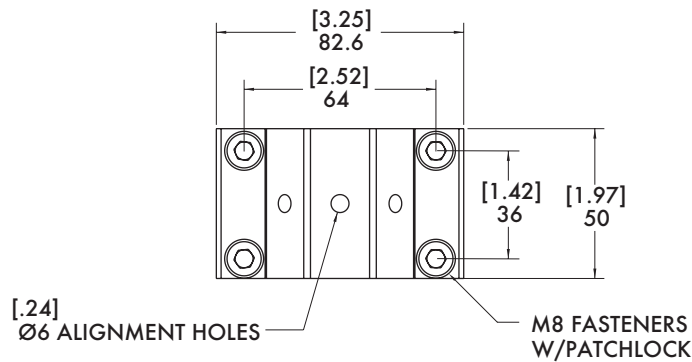
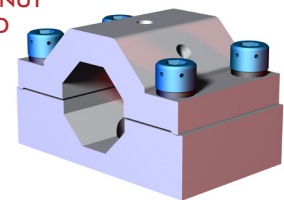
Specifications:

Max. Static Clamp Load:
271 Nm [200 ft-lb]

Material: Aluminum

Features:

- Provides a secure attachment point for clamps and pin locators.



Model Number

TPM-30

Weight

.36 kg [.80 lb]

BODYBUILDER™ ACCESSORY MOUNTS

BodyBuilder™ Octagonal Tooling | Technical Specifications, Dimensions



TPM(S)-45 45mm Accessory Mounting Bracket

Features:

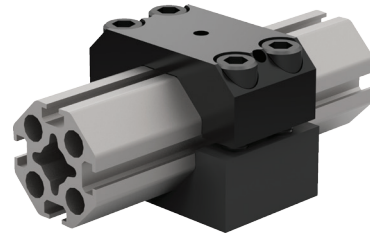
- Provides a secure attachment point for clamps and pin locators.
- Standard NAAMS mounting patterns.

Specifications:

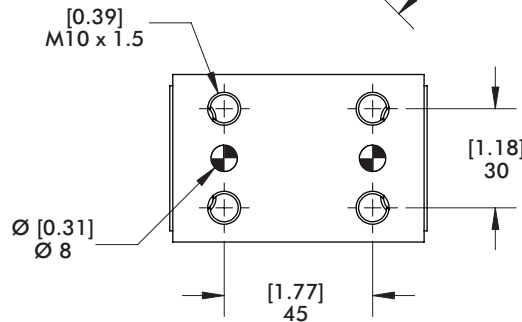
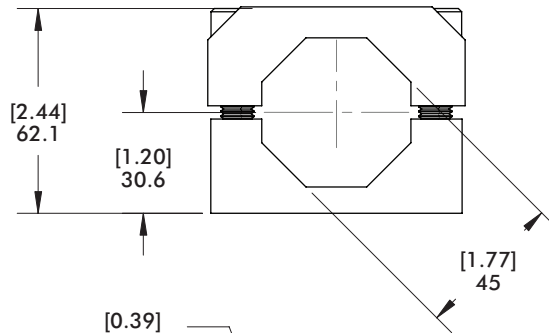
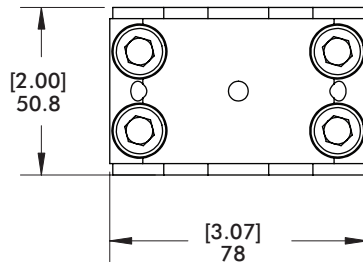
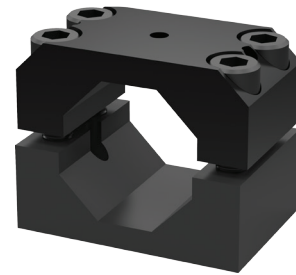
Max. Static Clamp Load:
475 Nm [350 ft-lb]

Material:

TPMS-45: Steel
TPM-45: Aluminum

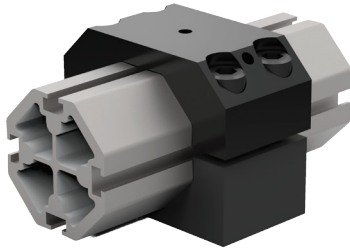


ALIGNMENT NUT
INCLUDED



| Model Number | Weight |
|-------------------|-------------------|
| TPM-45 (Aluminum) | .48 kg [1.28 lb] |
| TPMS-45 (Steel) | 1.10 kg [2.90 lb] |

TPMS-60 60mm Accessory Mounting Bracket.



Specifications:

Max. Static Clamp Load:

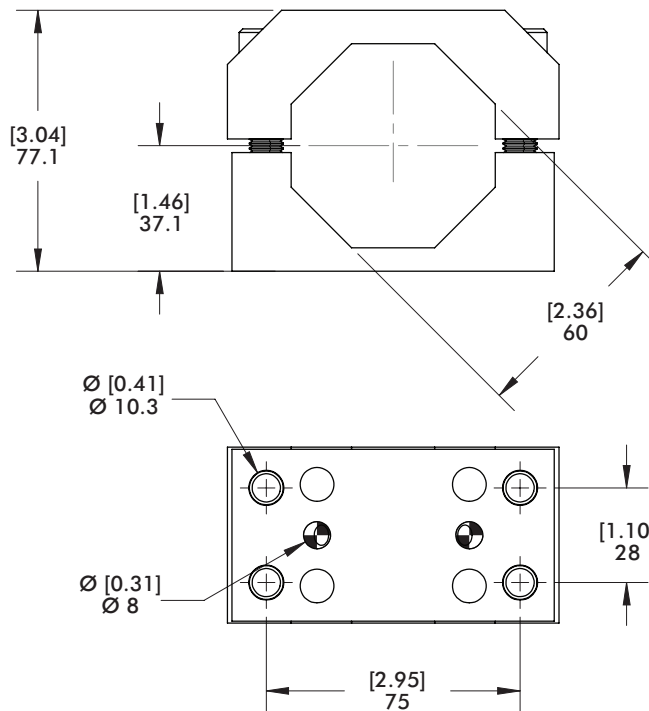
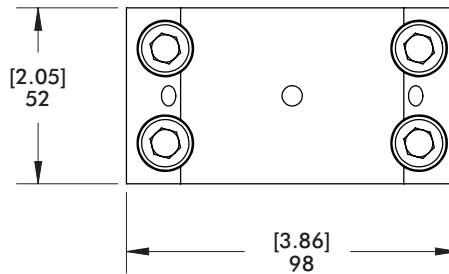
746 Nm [550 ft-lb]

Material: Steel

Features:

- Provides a secure attachment point for clamps and pin locators.
- Standard NAAMS mounting patterns.

ALIGNMENT NUT INCLUDED



Model Number

TPMS-60

Weight

1.3 kg [2.90 lb]

BODYBUILDER™ ACCESSORY MOUNTS

BodyBuilder™ Octagonal Tooling | Technical Specifications, Dimensions



TPMS-90 90mm Accessory Mounting Bracket

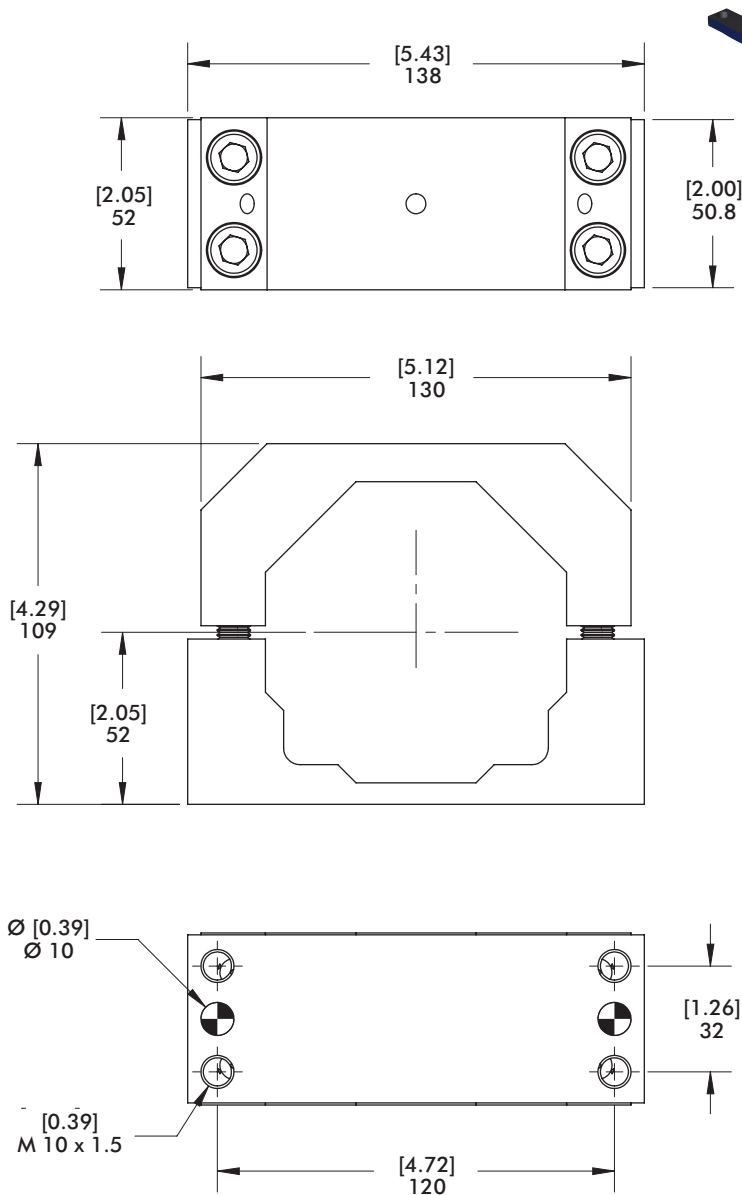
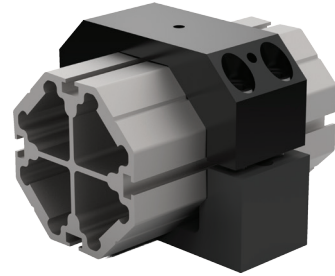
Features:

- Provides a secure attachment point for clamps and pin locators.

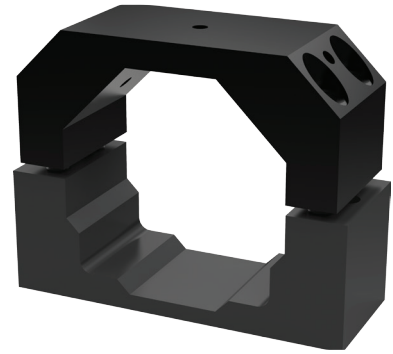
Specifications:

Max. Static Clamp Load:
746 Nm [550 ft-lb]

Material: Steel

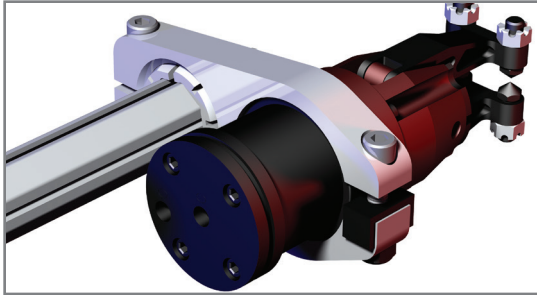


ALIGNMENT NUT
INCLUDED



| Model Number | Weight |
|--------------|-----------------|
| TPMS-90 | 1.93kg [4.25lb] |

GPC-150-30BBS 30mm Swivel 150 Series Parallel Gripper Mount



Specifications:

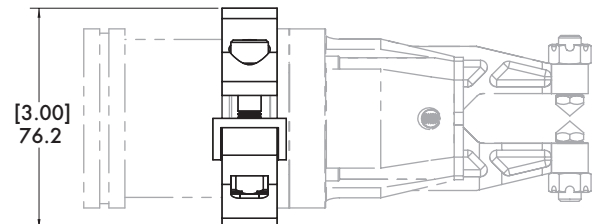
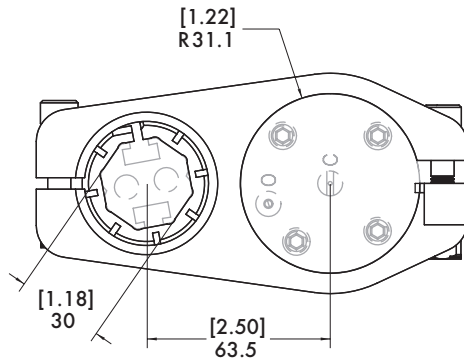
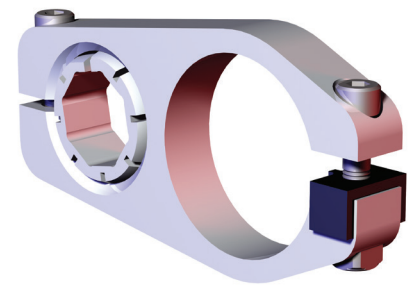
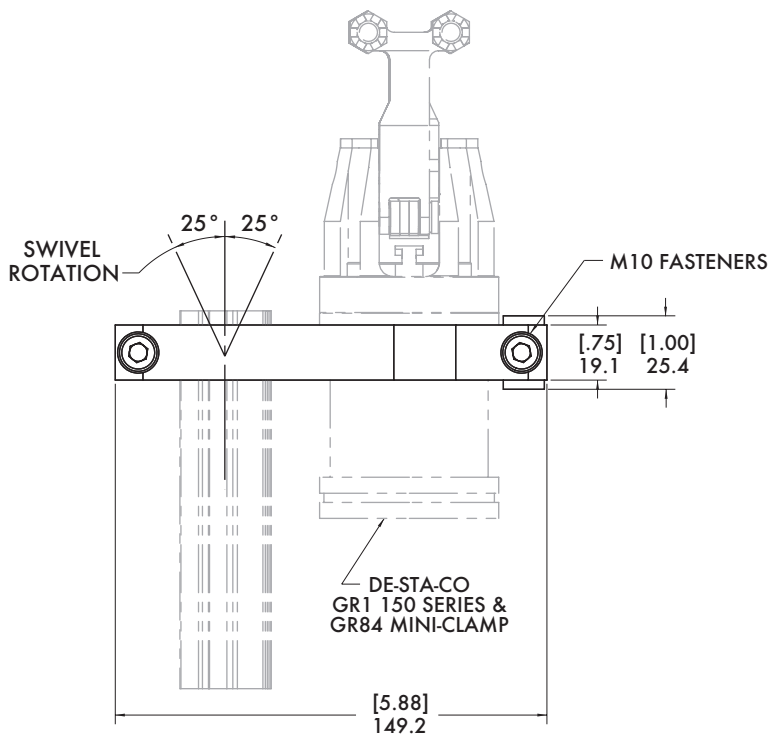
Max. Static Clamp Load:
271 Nm [200 ft-lb]

Material:

Body: Aluminum
Swivel Ball: Steel

Features:

- Removable grip mount lock allows gripper to be adjusted while continuing to holding it in place.
- Swivel ball allows for $\pm 25^\circ$ adjustment of swivel rotation.



| Model Number | Weight |
|----------------------|-----------------|
| CPI-GPC-150-30BBS-DC | .33 kg [.73 lb] |

BODYBUILDER™ GRIPPER MOUNTS

BodyBuilder™ Octagonal Tooling | Technical Specifications, Dimensions



RJM-150-30BBS 30mm End Gripper Mount for 150 Series Gripper

Features:

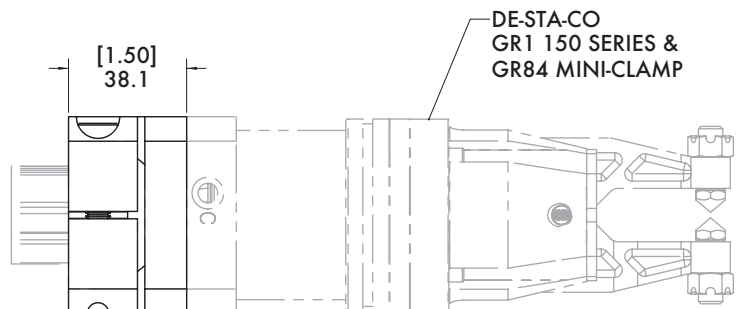
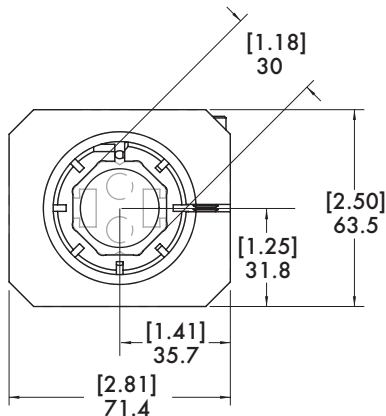
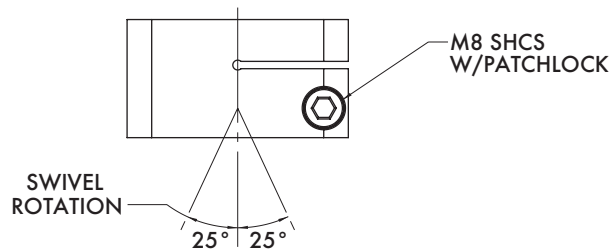
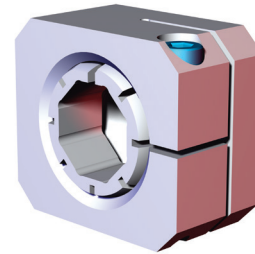
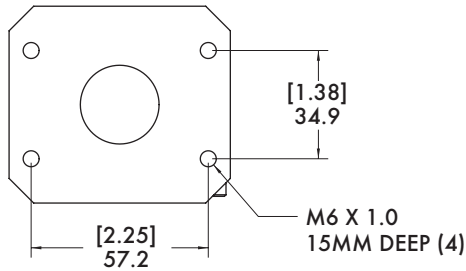
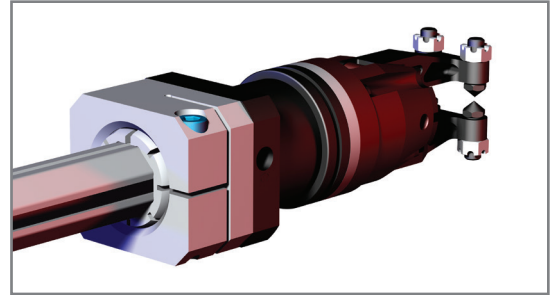
- Swivel ball allows for $\pm 25^\circ$ adjustment of swivel rotation.

Specifications:

Max. Static Clamp Load:
271 Nm [200 ft-lb]

Material:

Housing:
Machined Aluminum
Swivel: Steel



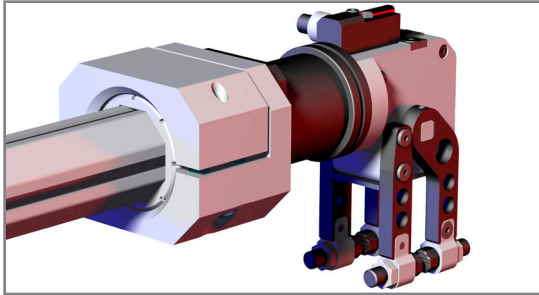
| Model Number | Weight |
|-------------------|-----------------|
| CPI-RJM-150-30BBS | .33 kg [.74 lb] |



EE-BBR-73

Dimensions and technical information are subject to change without notice

RJM-150-45BBS 45mm End Gripper Mount for 150 Series Gripper



Specifications:

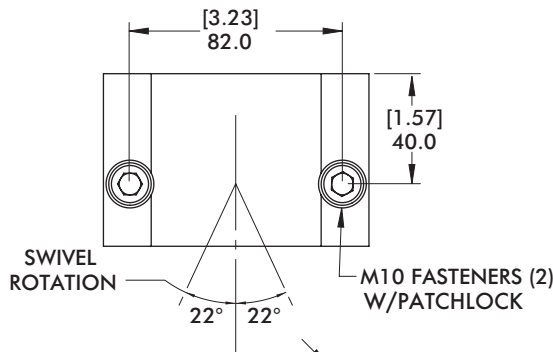
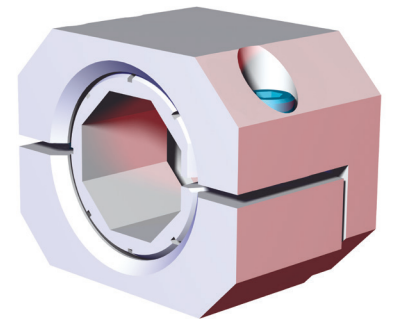
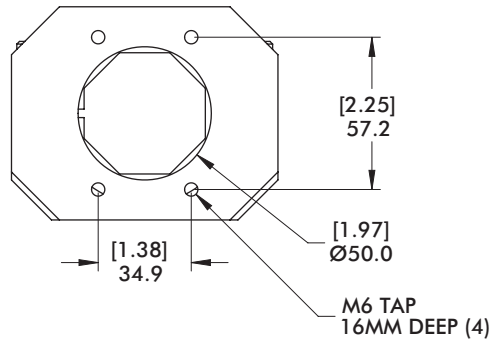
Max. Static Clamp Load:
475 Nm [350 ft-lb]

Material:

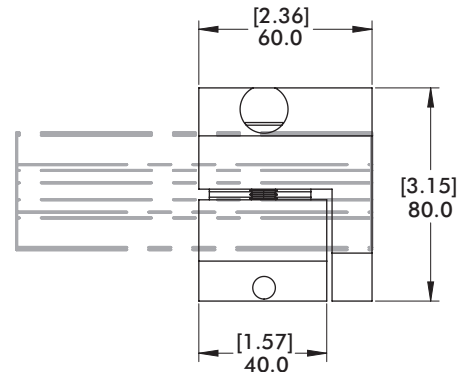
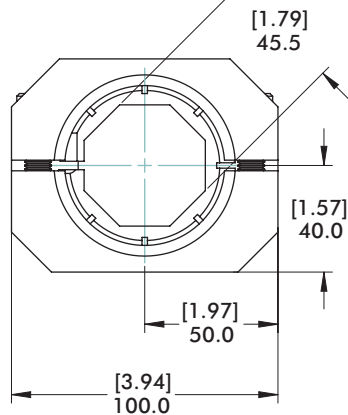
Housing:
Machined Aluminum
Swivel: Steel

Features:

- Swivel ball allows for $\pm 22^\circ$ adjustment of swivel rotation.



TO USE AS A FIXED MOUNT
INSERT BOOM COMPLETELY
UNTIL IT COMES INTO
CONTACT WITH GRIPPER
FOR SWIVEL OPTION INSERT
BOOM 40 MM [1.57 IN] OR
UNTIL BOOM IS INSERTED
ENOUGH TO ALLOW
ROTATION WITHOUT
OBSTRUCTION



| Model Number | Weight |
|-------------------|-------------------|
| CPI-RJM-150-45BBS | 1.23 kg [2.71 lb] |

BODYBUILDER™ SWIVEL ARMS



BodyBuilder™ Octagonal Tooling | Technical Specifications, Dimensions

30B50-MSA 30mm Swivel Arms for .50"(in) Apple Core Accessories

Features:

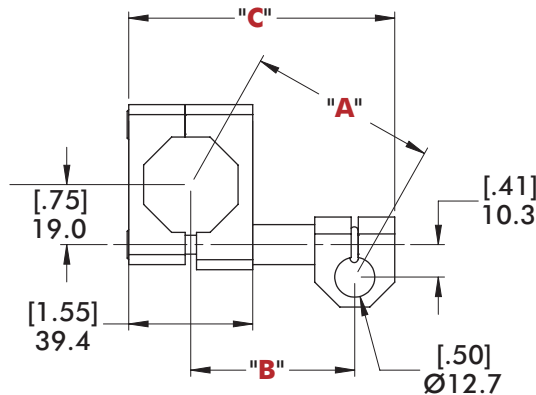
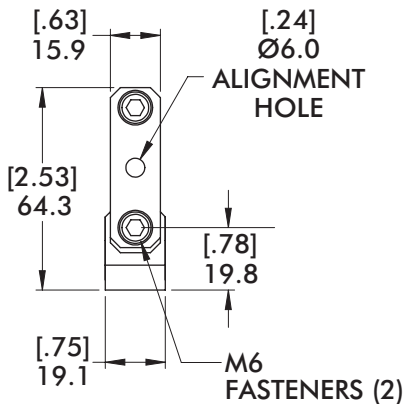
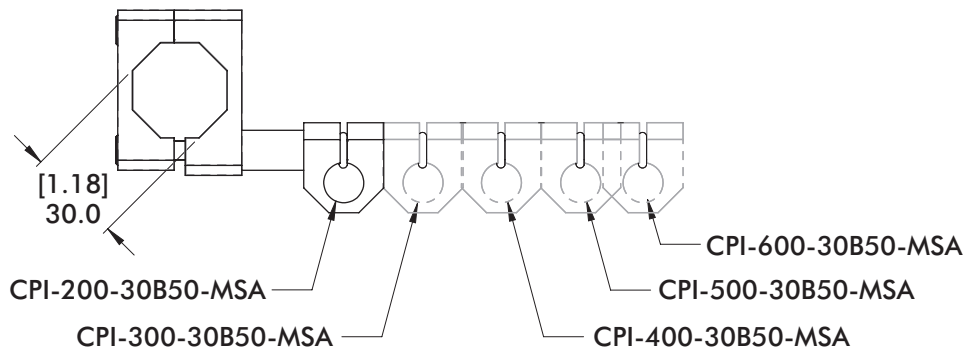
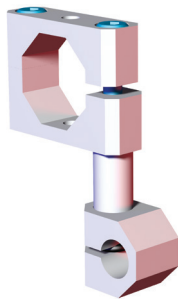
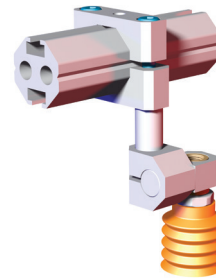
- Mounts to BodyBuilder™ 30mm extrusion boom.
- One bolt design for easy assembly and adjustment, allowing accessories to be repositioned easily.
- Provides 360° of adjustments in (3) axes.
- Used to mount venturi, bumpers, round locators, and proximity switches.

Specifications:

Max. Static Clamp Load:
102 Nm [75 ft-lb]

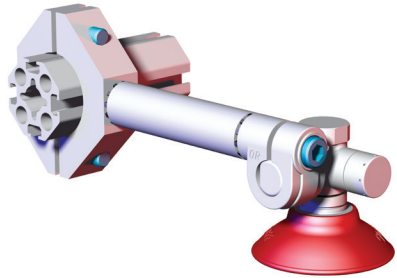
Material:

Body:
Cast Aluminum
Insert:
Machined Aluminum



| CPI- <u> </u> -30B50-MSA SWIVEL ARM | | | | |
|--------------------------------------|-----------------|-----------------|-----------------|--------------------|
| "L" | "A" | "B" | "C" | Weight |
| 200 | 59.8 [2.35] | 52.1 [2.05] | 84.5 [3.33] | .10 kg [.22 lb] |
| 300 | 82.6 [3.25] | 77.2 [3.04] | 109.6 [4.32] | .11 kg [.24 lb] |
| 400 | 106.2 [4.18] | 102.1 [4.02] | 134.5 [5.30] | .12 kg [.26 lb] |
| 500 | 130.6 [5.14] | 127.3 [5.01] | 159.7 [6.29] | .13 kg [.29 lb] |
| 600 | 150.0 [5.90] | 147.1 [5.79] | 179.5 [7.07] | .14 kg [.31 lb] |

45B-CSA 45mm Swivel Arms for Ø19mm [.75 in] Apple Core Accessories



Specifications:

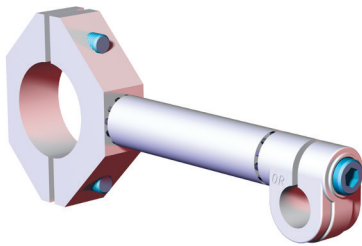
Max. Static Clamp Load:
271 Nm [200 ft-lb]

Material:

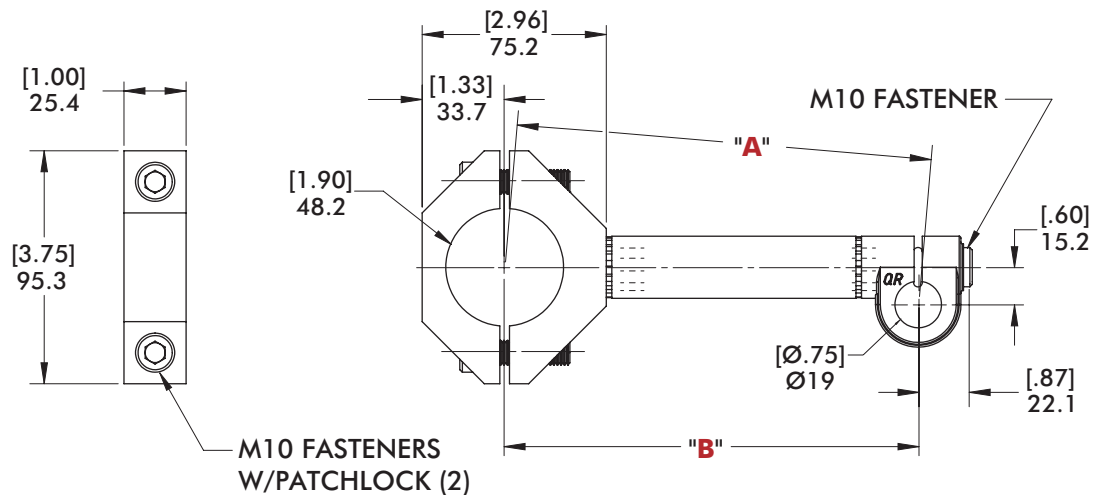
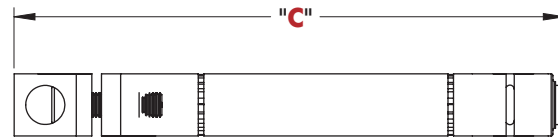
Body:
Cast Aluminum
Insert:
Machined Aluminum

Features:

- Mounts to BodyBuilder™ 45mm extrusion boom.
- One bolt design for easy assembly and adjustment, allowing accessories to be repositioned easily.
- Provides 360° of adjustments in (3) axes.
- Used to mount venturi, bumpers, round locators, and proximity switches.



CPI-180-45B-CSA SHOWN



CPI-" L "-45B-CSA SWIVEL ARM

| " L " | " A " | " B " | " C " | Weight |
|------------|------------------|------------------|------------------|---------------------|
| 130 | 119.8 [4.72] | 118.8 [4.68] | 140.9 [5.56] | .48 kg [1.06 lb] |
| 180 | 169.8 [6.68] | 169.1 [66.6] | 224.9 [8.89] | .54 kg [1.20 lb] |
| 230 | 219.7 [8.65] | 219.1 [8.63] | 275.0 [10.83] | .61 kg [1.34 lb] |
| 280 | 269.6 [10.61] | 269.2 [10.60] | 325.0 [12.80] | .67 kg [1.47 lb] |

BODYBUILDER™ SWIVEL ARMS



BodyBuilder™ Octagonal Tooling | Technical Specifications, Dimensions

SA-30 30mm Swivel Arms for Ø19mm [.75 in] Apple Core Accessories

Features:

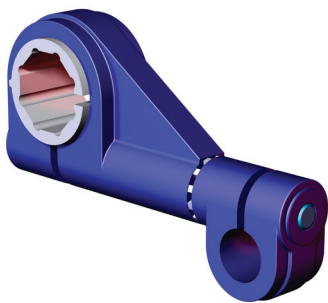
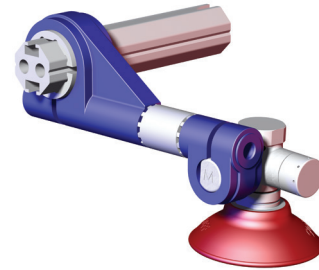
- Mounts to BodyBuilder™ 30mm extrusion boom.
- One bolt design for easy assembly and adjustment, allowing accessories to be repositioned easily.
- Provides 360° of adjustments in (3) axes.
- Used to mount venturi, bumpers, round locators, and proximity switches.

Specifications:

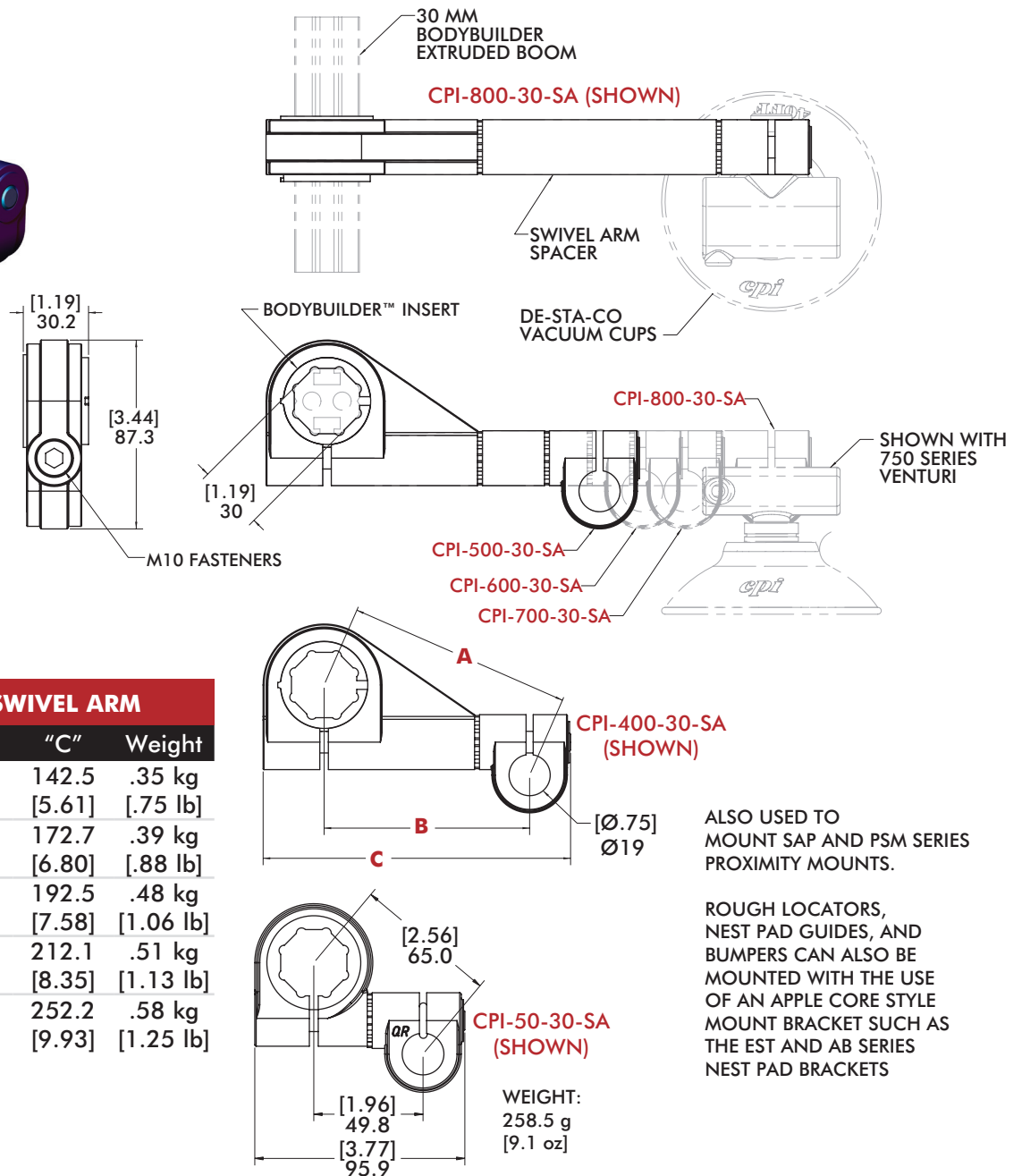
Max. Static Clamp Load:
271 Nm [200 ft-lb]

Material:

Body:
Cast Aluminum
Insert:
Machined Aluminum



CPI-400-30-SA SHOWN



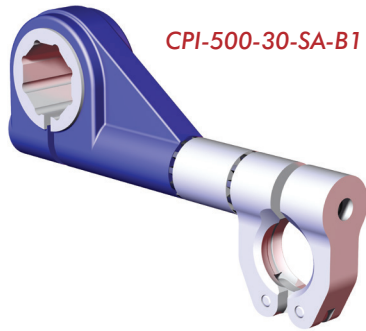
CPI-" L "-30-SA SWIVEL ARM

| " L " | "A" | "B" | "C" | Weight |
|------------|-----------------|-----------------|-----------------|---------------------|
| 400 | 103.8 [4.09] | 95.1 [3.74] | 142.5 [5.61] | .35 kg [.75 lb] |
| 500 | 132.8 [5.26] | 126.0 [4.96] | 172.7 [6.80] | .39 kg [.88 lb] |
| 600 | 151.7 [5.97] | 146.0 [5.75] | 192.5 [7.58] | .48 kg [1.06 lb] |
| 700 | 170.6 [6.72] | 165.4 [6.51] | 212.1 [8.35] | .51 kg [1.13 lb] |
| 800 | 209.7 [8.26] | 205.5 [8.09] | 252.2 [9.93] | .58 kg [1.25 lb] |

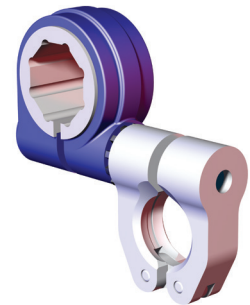
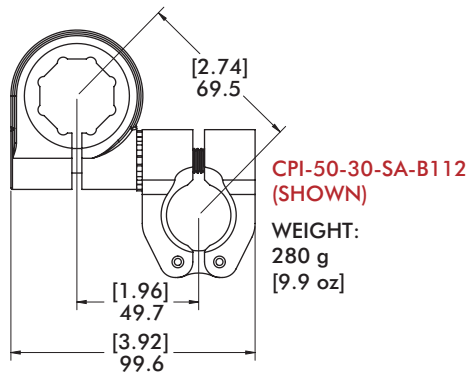
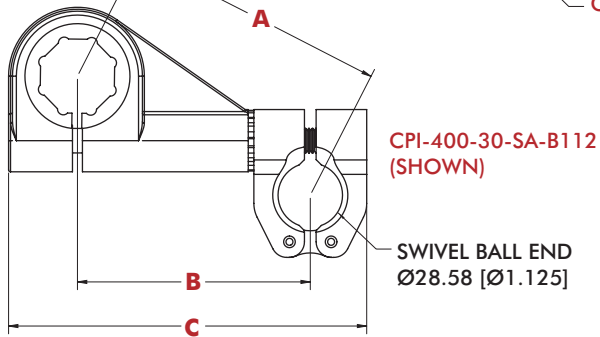
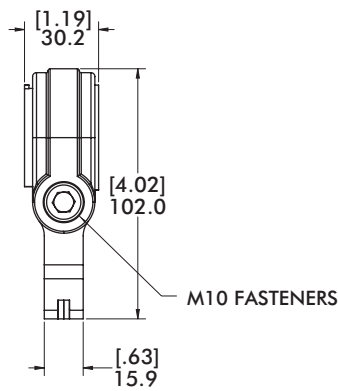
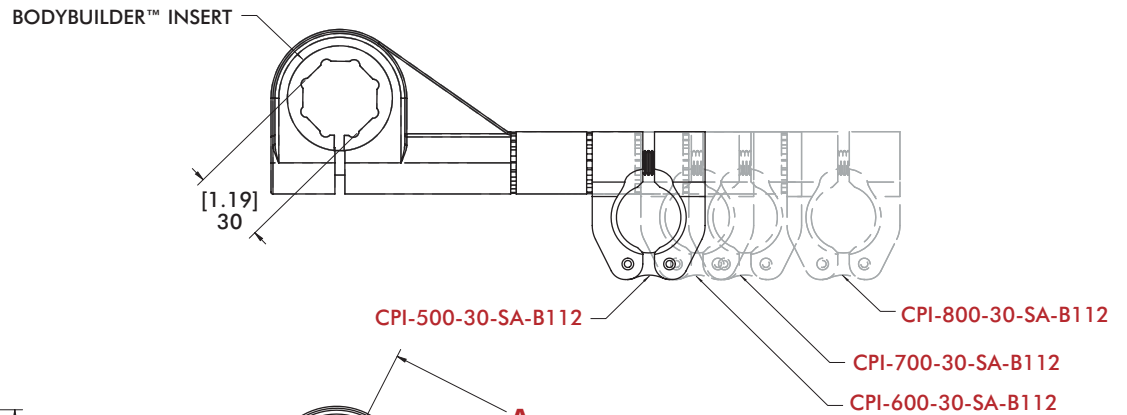
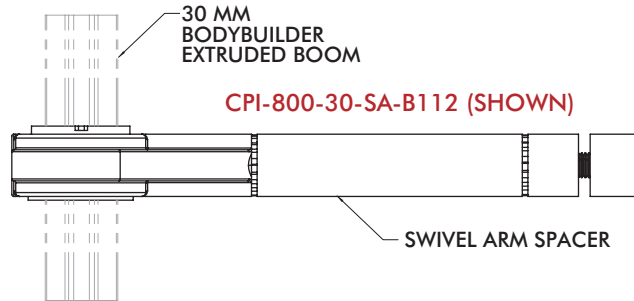
ALSO USED TO MOUNT SAP AND PSM SERIES PROXIMITY MOUNTS.

ROUGH LOCATORS, NEST PAD GUIDES, AND BUMPERS CAN ALSO BE MOUNTED WITH THE USE OF AN APPLE CORE STYLE MOUNT BRACKET SUCH AS THE EST AND AB SERIES NEST PAD BRACKETS

30-SA-B112 30mm Swivel Arms for Swivel Ball Mount Accessories



CPI-500-30-SA-B112 (SHOWN)



| CPI- " L " -30-SA-B112 SWIVEL ARM | | | | |
|-----------------------------------|-----------------|-----------------|------------------|---------------------|
| " L " | " A " | " B " | " C " | Weight |
| 400 | 106.7 [4.20] | 95.0 [3.74] | 146.1 [5.75] | .40 kg [.88 lb] |
| 500 | 135.0 [5.32] | 126.0 [4.96] | 177.1 [6.97] | .46 kg [1.00 lb] |
| 600 | 153.7 [6.05] | 145.8 [5.74] | 196.9 [7.75] | .49 kg [1.06 lb] |
| 700 | 172.3 [6.78] | 165.4 [6.51] | 216.5 [8.52] | .53 kg [1.19 lb] |
| 800 | 211.1 [8.31] | 205.5 [8.09] | 256.6 [10.10] | .60 kg [1.31 lb] |

BODYBUILDER™ SWIVEL ARM ACCESSORIES



BodyBuilder™ Octagonal Tooling | Technical Specifications, Dimensions

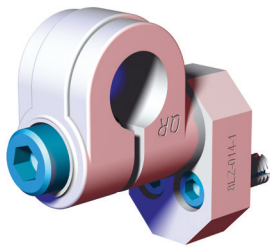
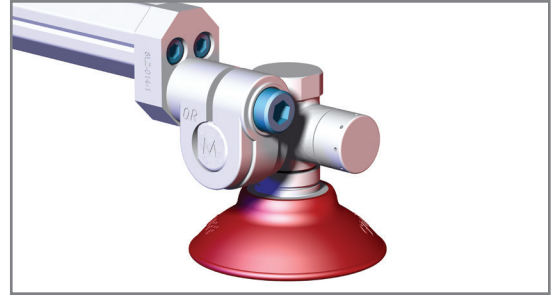
BC19 30mm Bodybuilder to Ø19mm [.75 in] Apple Core Swivel End Mount

Features:

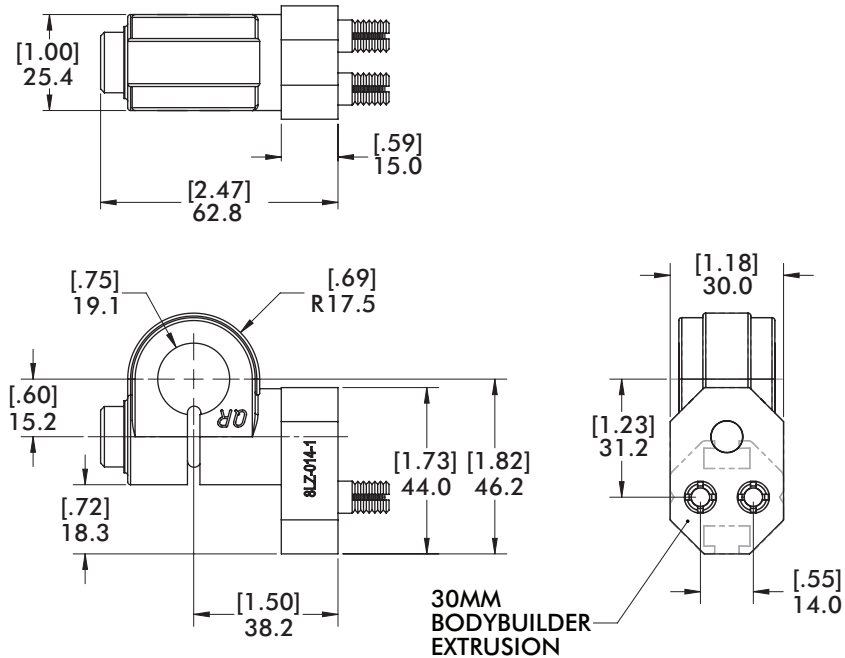
- Mounts to BodyBuilder™ 30mm extrusion boom.
- One bolt design for easy assembly and adjustment, allowing accessories to be repositioned easily.
- Provides 360° of adjustment along (2) axis.

Specifications:

Material:
Aluminum



INCLUDES (2) INSERTS TO BE PRESS-FITTED INTO THE END OF 30MM BODYBUILDER™ OCTAGONAL BOOM



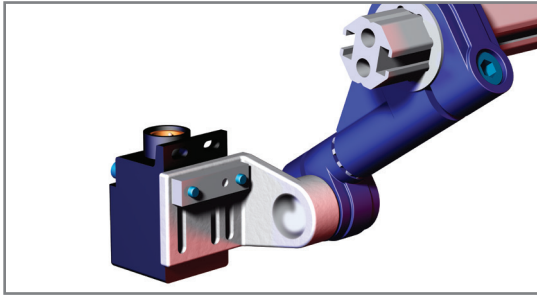
| Model Number | Weight |
|--------------|-----------------|
| CPI-BC-19 | .13 kg [.28 lb] |



EE-BBR-79

Dimensions and technical information are subject to change without notice

AB-750-SL Part Present Proximity Switch Mount



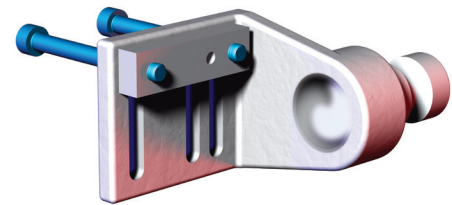
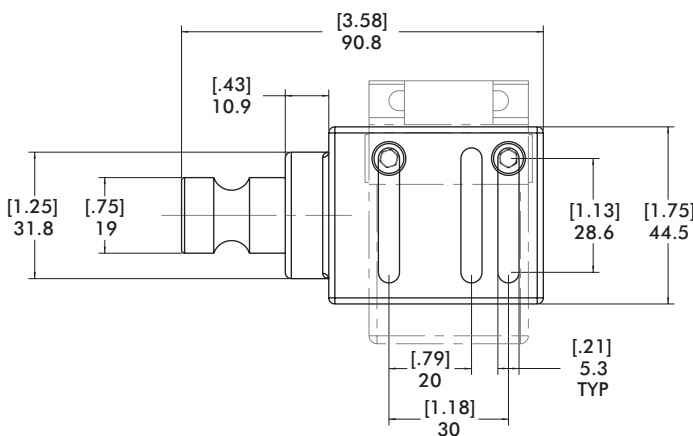
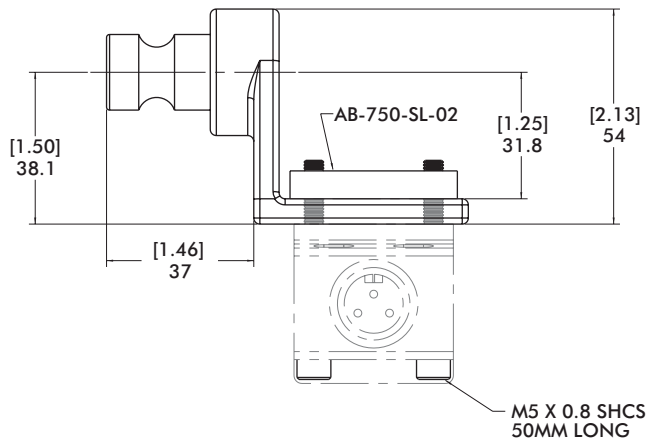
Specifications:

Max. Static Clamp Load:
271 Nm [200 ft-lb]

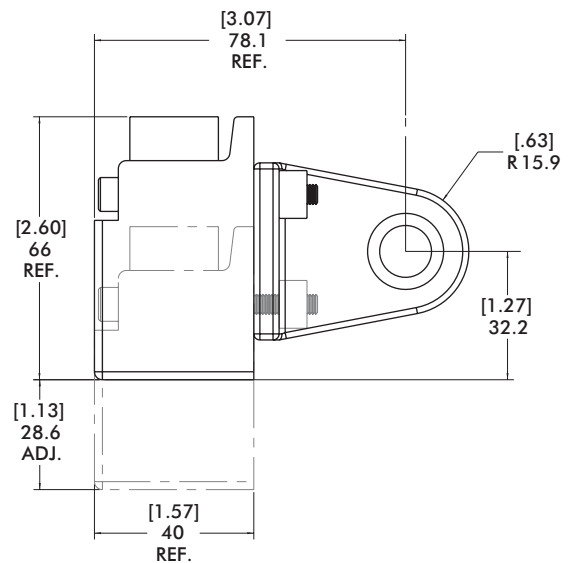
Material:
Aluminum

Features:

- Mounts a 40mm square proximity sensor to the BodyBuilder™ 30mm Swivel Arm (CPI-"L"-30-SA).
- Mount allows for 360 degrees of radial adjustment along one axis.
- Slots allows 28.6mm [1.13 in] of linear adjustment for fine tuning during final setup.



FASTENERS AND NUT INCLUDED



| Model Number | Weight |
|---------------|-----------------|
| CPI-AB-750-SL | .10 KG [.22 lb] |

BODYBUILDER™ SWIVEL ARM ACCESSORIES



BodyBuilder™ Octagonal Tooling | Technical Specifications, Dimensions

NPG-15RL-400 Rough Locator

Features:

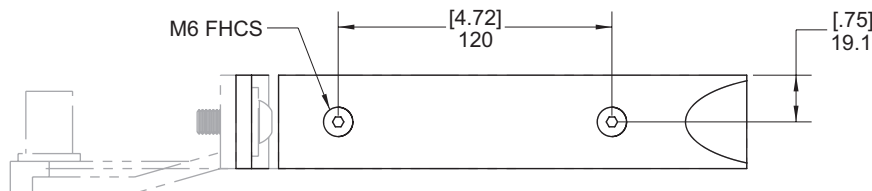
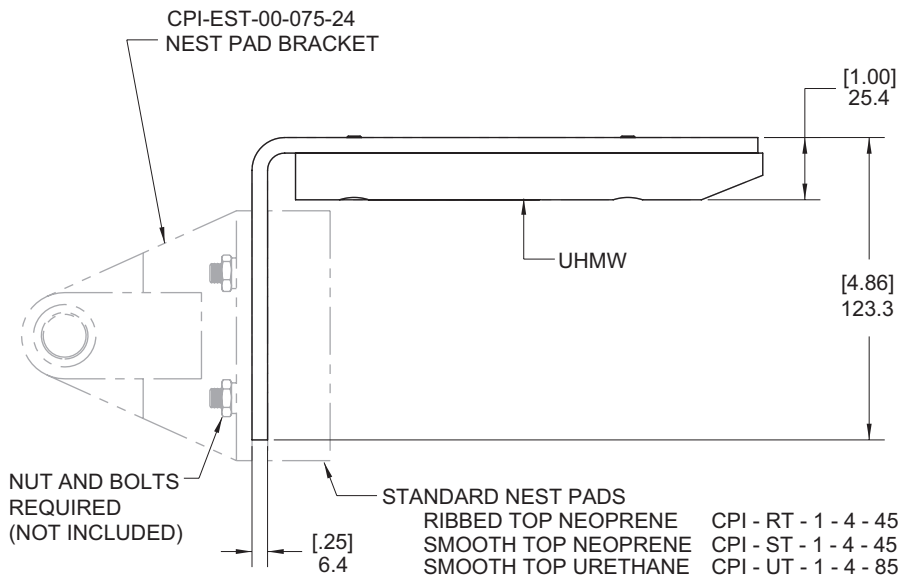
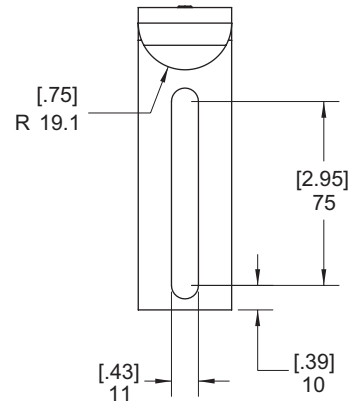
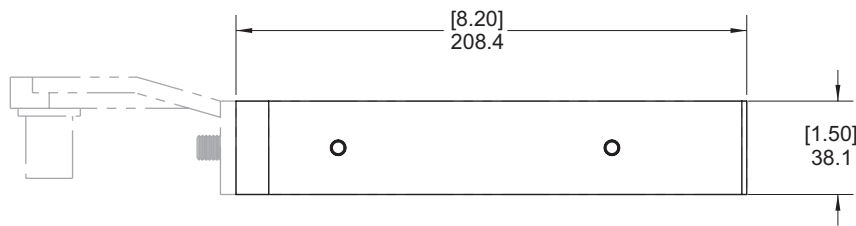
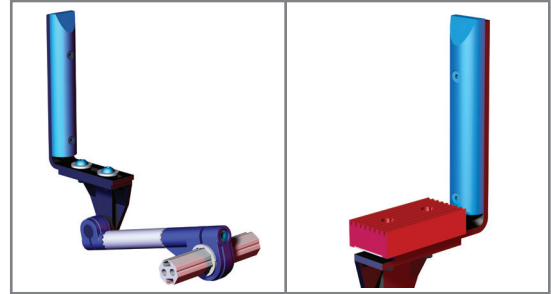
- Mounts to Nest Pad Brackets and indirectly to BodyBuilder™ 30mm Swivel Arm Mount.

Specifications:

Max. Static Clamp Load:
271 Nm [200 ft-lb]

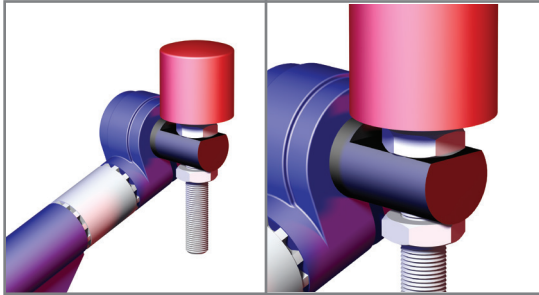
Material:

Bracket: Steel
Wear Surface: UHMW



| Model Number | Weight |
|------------------|-------------------|
| CPI-NPG-15RL-400 | 0.86 kg [1.90 lb] |

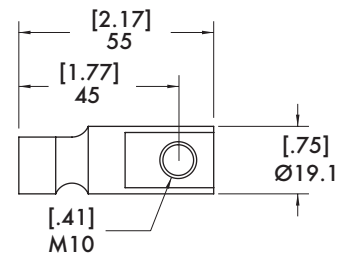
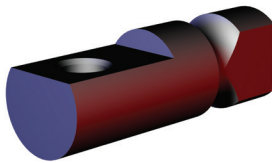
SAP-BM10 Ø19mm [.75 in] Apple Core Nest Bumper Mount



Specifications:

Max. Static Clamp Load:
271 Nm [200 ft-lb]

Material:
Steel



| Model Number | Weight |
|--------------|-----------------|
| CPI-SAP-BM10 | .10 kg [.21 lb] |

